

MATERIALS AND FINISHES

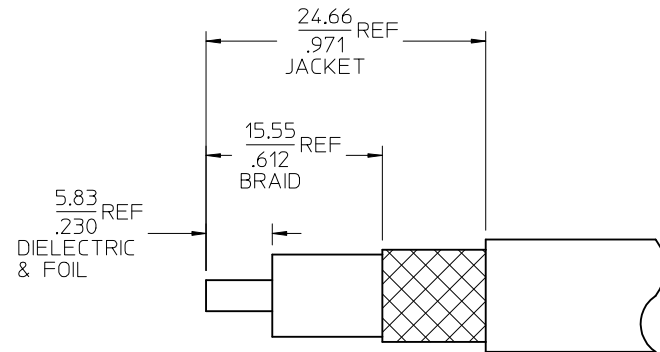
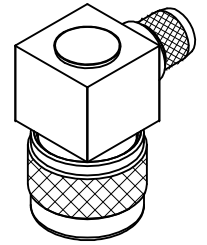
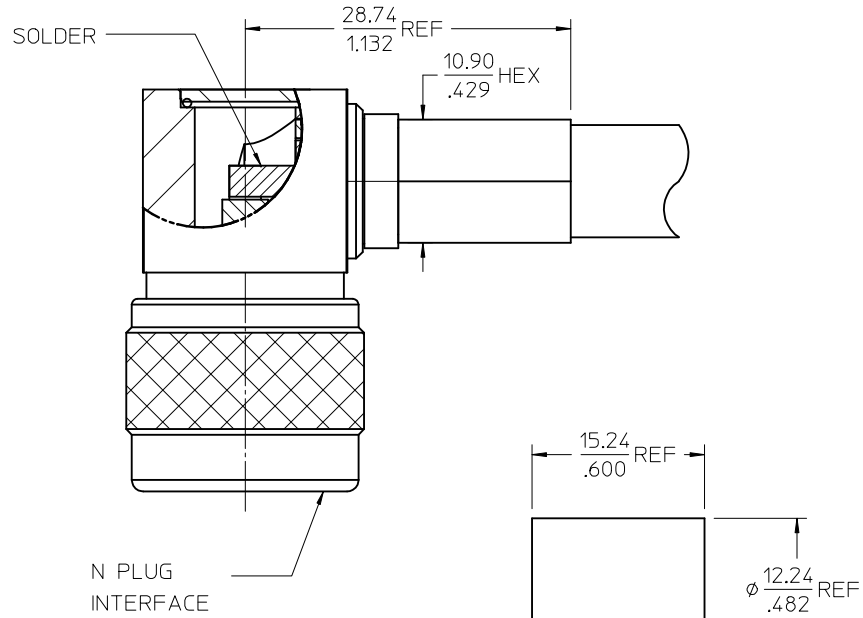
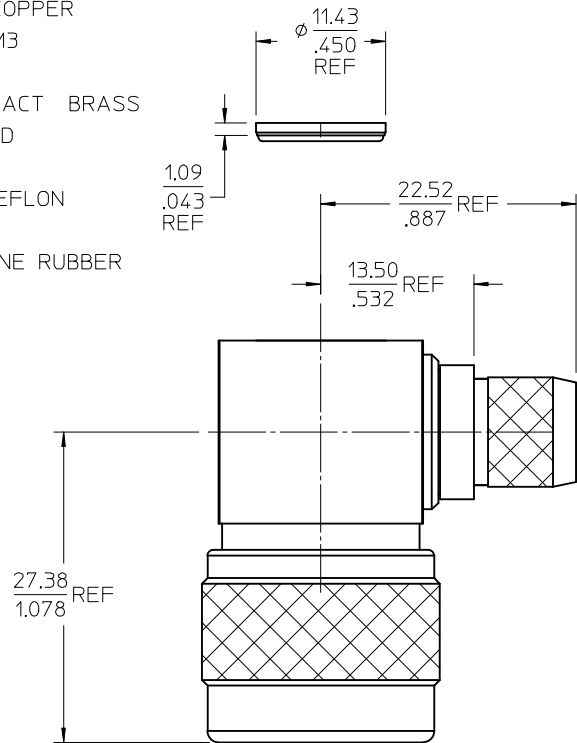
BODY, COUPLING NUT, CAP BRASS
PLATED TRI-M3

CRIMP TUBE COPPER
PLATED TRI-M3

CENTER CONTACT BRASS
PLATED GOLD

INSULATOR TEFLON

O-RING SILICONE RUBBER



PART NO. 73276-4180

MIL-STD-348A, FIG. 304-1	INTERFACE
SPECIFICATION	DESCRIPTION

RECOMMENDED STRIPPING DIMENSIONS

CHG:NEW RELEASE PDR:14081691 EC NO: URF2015-0164 DRWN:YCHENG 2014/10/08 CHKD: APPR:YCHENG 2014/10/17	QUALITY SYMBOLS ▽=0 ▽=0	GENERAL TOLERANCES (UNLESS SPECIFIED)	DIMENSION STYLE MM/IN	SCALE	DESIGN UNITS METRIC	THIRD ANGLE PROJECTION
		4 PLACES ± --- ± --- 3 PLACES ± --- ± --- 2 PLACES ± --- ± --- 1 PLACE ± --- ± --- ANGULAR ± 2 °	DRAWN BY DATE YCHENG 2014/09/10 CHECKED BY DATE JUDY 2014/09/10 APPROVED BY DATE YCHENG 2014/10/17	TITLE N PLUG R/A 50 OHMS FOR RG213 CABLE N-PC	MOLEX MOLEX INCORPORATED	SHEET NO. 1 OF 1
DRAFT WHERE APPLICABLE MUST REMAIN WITHIN DIMENSIONS		MATERIAL NO. 732764180	DOCUMENT NO. SD-73276-418	THIS DRAWING CONTAINS INFORMATION THAT IS PROPRIETARY TO MOLEX INCORPORATED AND SHOULD NOT BE USED WITHOUT WRITTEN PERMISSION		