

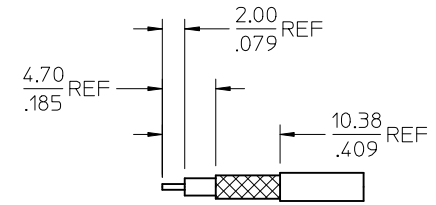
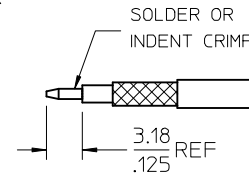
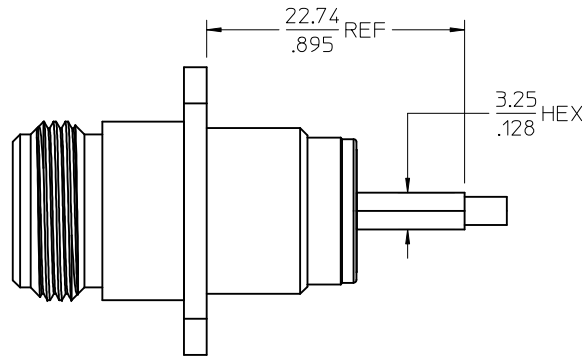
MATERIALS AND FINISHES

BODY: BRASS
PLATED NICKEL

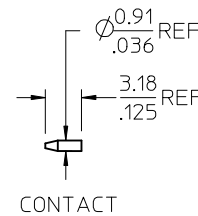
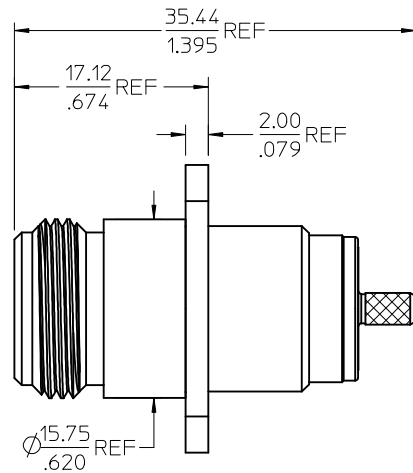
CENTER CONTACT: BERYLLIUM COPPER
PLATED GOLD

CABLE CONTACT: BRASS
PLATED GOLD

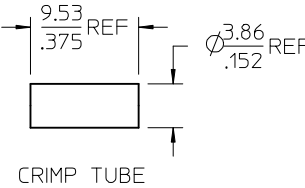
INSULATOR: TEFLON



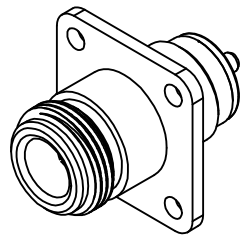
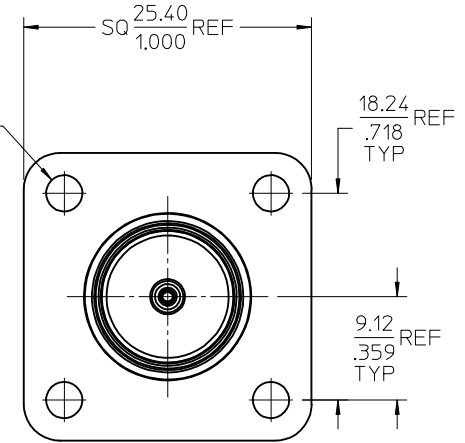
CABLE STRIP DIMENSIONS



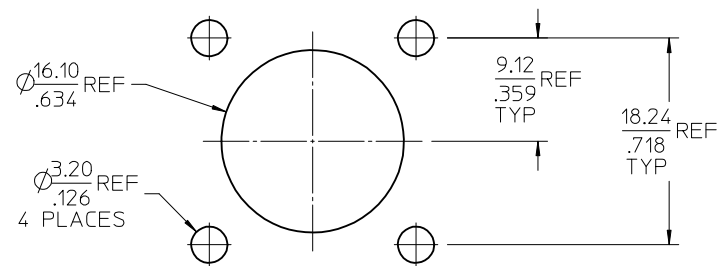
CONTACT



CRIMP TUBE



PANEL CUT-OUT



PART # 73276-1740

MIL-STD-348A, FIG. 304.2	INTERFACE
SPECIFICATION	DESCRIPTION

CHG: RELEASE DRAWING.	EC NO: URF2009-0376	DRWN:ROBERTSON 2009/01/09	CHKD:SSS 2009/02/09	APPR:JMENER 2009/02/09
REV	DESCRIPTION	QUALITY SYMBOLS	GENERAL TOLERANCES (UNLESS SPECIFIED)	
A		▽=0	mm INCH	
		▽=0	4 PLACES ± --- ± ---	
			3 PLACES ± --- ± ---	
			2 PLACES ± --- ± ---	
			1 PLACE ± --- ± ---	
			ANGULAR ± 2 °	
			DRAFT WHERE APPLICABLE MUST REMAIN WITHIN DIMENSIONS	

DIMENSION STYLE		SCALE	DESIGN UNITS	THIRD ANGLE PROJECTION
MM/IN			METRIC	
DRAWN BY	DATE	TITLE		
AZR	2009/01/08	N JACK 4 HOLE FLANGE MOUNT RG316 N-JC/BLK, EWR-3874		
CHECKED BY	DATE	MOLEX INCORPORATED		
SSS	2009/01/08			
APPROVED BY	DATE			
JDW	2009/01/08			
MATERIAL NO.	DOCUMENT NO.	SHEET NO.		
732761740	SD-73276-174	1 OF 1		
SIZE	THIS DRAWING CONTAINS INFORMATION THAT IS PROPRIETARY TO MOLEX INCORPORATED AND SHOULD NOT BE USED WITHOUT WRITTEN PERMISSION			
C				