

MATERIALS AND FINISHES

PART NUMBER 73276-1050

BODY STAINLESS STEEL
PASSIVATED

CENTER CONTACT PHOSHOR BRONZE
PLATED GOLD

INSULATOR TEFLON

O-RING SILICONE RUBBER

MATERIALS AND FINISHES

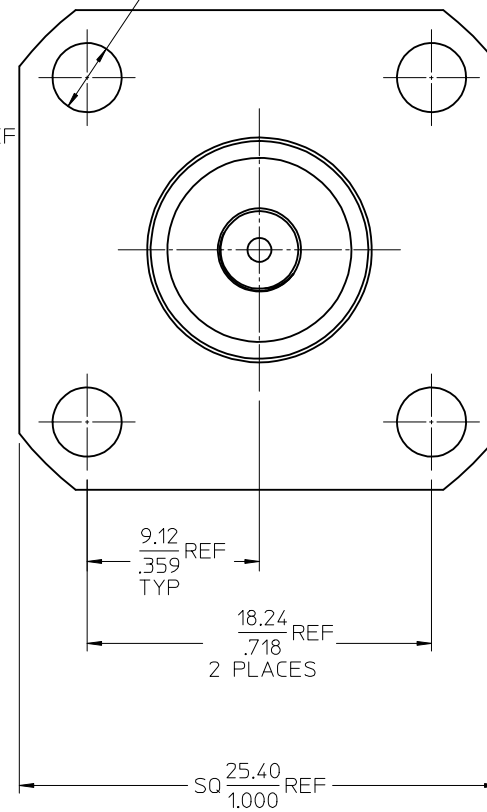
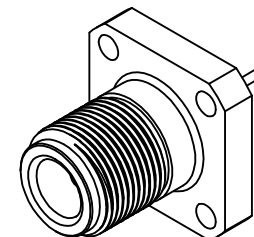
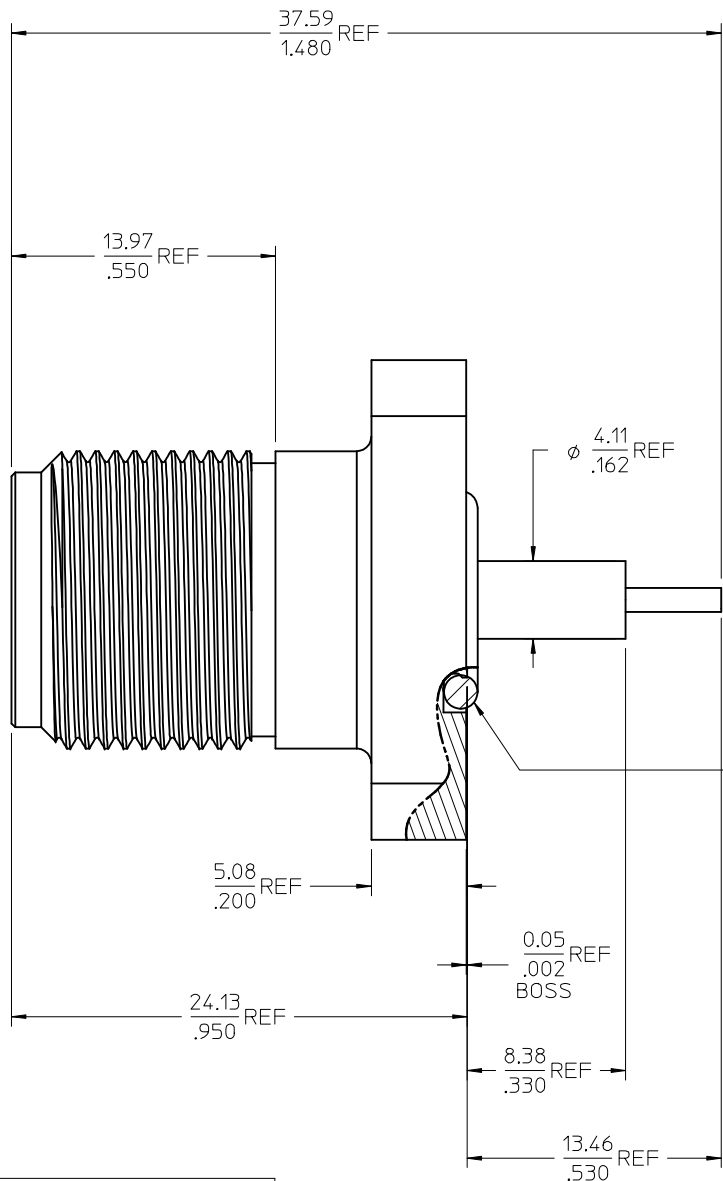
PART NUMBER 73276-1051

BODY BRASS
PLATED NICKEL

CENTER CONTACT PHOSHOR BRONZE
PLATED GOLD

INSULATOR TEFLON

O-RING SILICONE RUBBER



MIL-STD-348A, FIG. 304.2

INTERFACE

SPECIFICATION

DESCRIPTION

CHG: REDREW TO
SHOW REVISED
BODY, INSULATOR,
AND CONTACT.

EC NO: URF2006-0130
DRAWN: ROBERTSON 2005/09/23
CHKD: 2005/09/23
APPR: WIENER 2005/09/23

REVISIONS
DESCRIPTION
REV

QUALITY SYMBOLS
=0
=0
GENERAL TOLERANCES (UNLESS SPECIFIED)
4 PLACES ± .005 ± .005
3 PLACES ± .005 ± .005
2 PLACES ± .005 ± .005
1 PLACE ± .005 ± .005
ANGULAR ± 2°
DRAFT WHERE APPLICABLE
MUST REMAIN
WITHIN DIMENSIONS

DIMENSION STYLE
MM/IN
DRAWN BY DATE
JM 2005/01/06
CHECKED BY DATE
JM 2005/01/06
APPROVED BY DATE
JDW 2005/01/06
MATERIAL NO.
SEE TABLE
SIZE
C

SCALE
DESIGN UNITS
METRIC
THIRD ANGLE PROJECTION
TITLE
N JACK, SQUARE FLANGE
RECEPTACLE, SEALED
EWR-2619, N-JR
MOLEX INCORPORATED
DOCUMENT NO.
SD-73276-105
SHEET NO.
1 OF 1
THIS DRAWING CONTAINS INFORMATION THAT IS PROPRIETARY TO MOLEX
INCORPORATED AND SHOULD NOT BE USED WITHOUT WRITTEN PERMISSION