

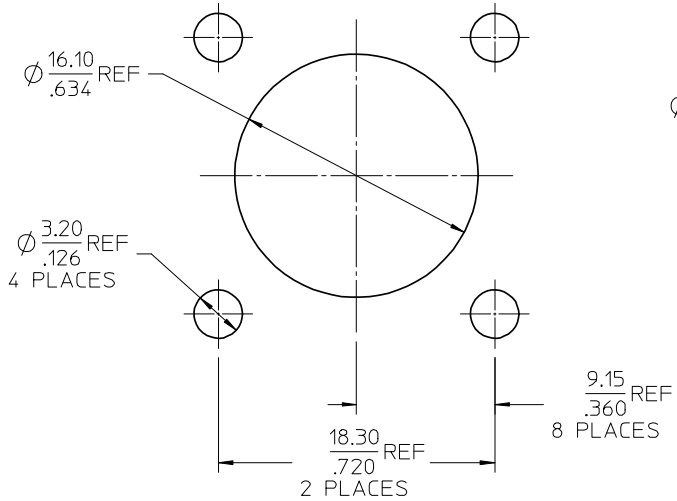
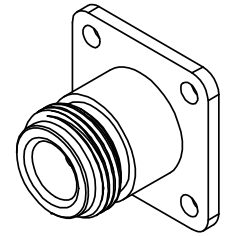
MATERIALS AND FINISHES

BODY BRASS
PLATED NICKEL

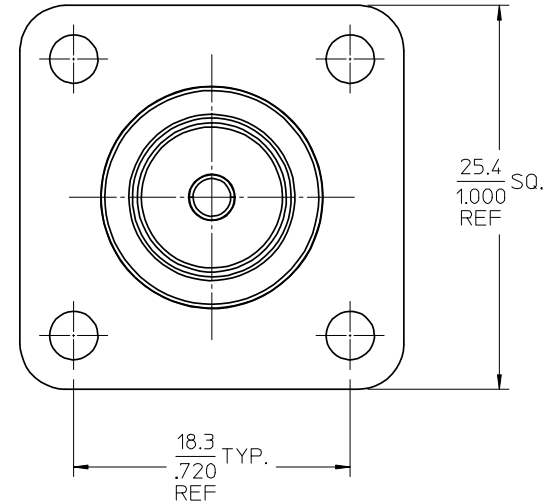
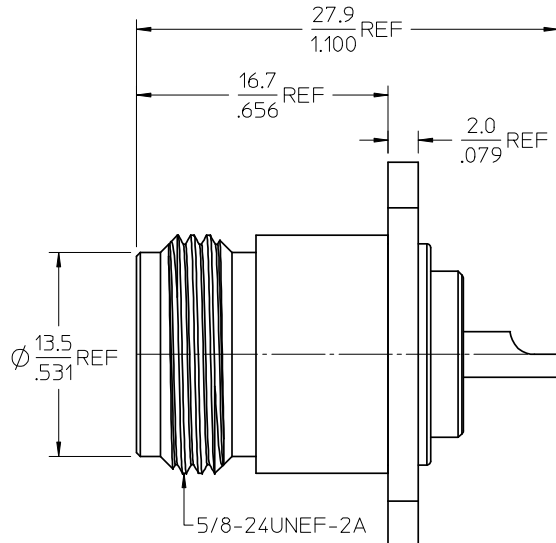
CENTER CONTACT PHOSPHOR BRONZE
PLATED GOLD

INSULATOR TEFLON

PACKAGING BY TRAY



RECOMMENDED MOUNTING
FLANGE ON PANEL



PART # 73270-5003

ES-73599-0000-004	INTERFACE
SPECIFICATION	DESCRIPTION

CHG DIM 18.3 TYP WAS 18.2 TYP PL NO: 017 2008-0380 DRWNSCHOU 2008/02/13 CHKD: 2008/02/15 APPR: MHIUANG 2008/02/18	QUALITY SYMBOLS
	▼=0 ▽=0

GENERAL TOLERANCES (UNLESS SPECIFIED)	DIMENSION STYLE															
<table border="1"> <tr> <th></th> <th>mm</th> <th>INCH</th> </tr> <tr> <td>4 PLACES</td> <td>± .010</td> <td>± .0004</td> </tr> <tr> <td>3 PLACES</td> <td>± .015</td> <td>± .0006</td> </tr> <tr> <td>2 PLACES</td> <td>± .020</td> <td>± .0008</td> </tr> <tr> <td>1 PLACE</td> <td>± .030</td> <td>± .0012</td> </tr> </table>		mm	INCH	4 PLACES	± .010	± .0004	3 PLACES	± .015	± .0006	2 PLACES	± .020	± .0008	1 PLACE	± .030	± .0012	MM/IN
	mm	INCH														
4 PLACES	± .010	± .0004														
3 PLACES	± .015	± .0006														
2 PLACES	± .020	± .0008														
1 PLACE	± .030	± .0012														
ANGULAR ± 2 °																
DRAFT WHERE APPLICABLE MUST REMAIN WITHIN DIMENSIONS																

DRAWN BY	DATE
IRIS WANG	1991/01/23
CHECKED BY	DATE
APPROVED BY	DATE
MATERIAL NO.	DOCUMENT NO.
732705003	SD-73270-5003
SIZE	
C	

SCALE	DESIGN UNITS	THIRD ANGLE PROJECTION
	METRIC	
TITLE		
N JACK STR. PANEL 4 HOLE 50 OHMS, N-J/ANEL		
MOLEX INCORPORATED		
SHEET NO.	1 OF 1	
THIS DRAWING CONTAINS INFORMATION THAT IS PROPRIETARY TO MOLEX INCORPORATED AND SHOULD NOT BE USED WITHOUT WRITTEN PERMISSION		