

MDA-LTE4-008-B Specification

1. Explanation of Part Number :

$\frac{MDA}{(1)} - \frac{LTE4}{(2)} - \frac{00}{(3)} \frac{8}{(4)} - \frac{B}{(5)}$

- (1) Product type : wireless antenna
 - (2) Frequency : 791~960MHz 、 1710~2170MHz 、 2500~2690MHz
 - (3) Connector Types : 00
 - (4) Serial number : 8
 - (5) Vehicle use: Before loading
- ※ RoHS Compliant

2. Electrical Specification :

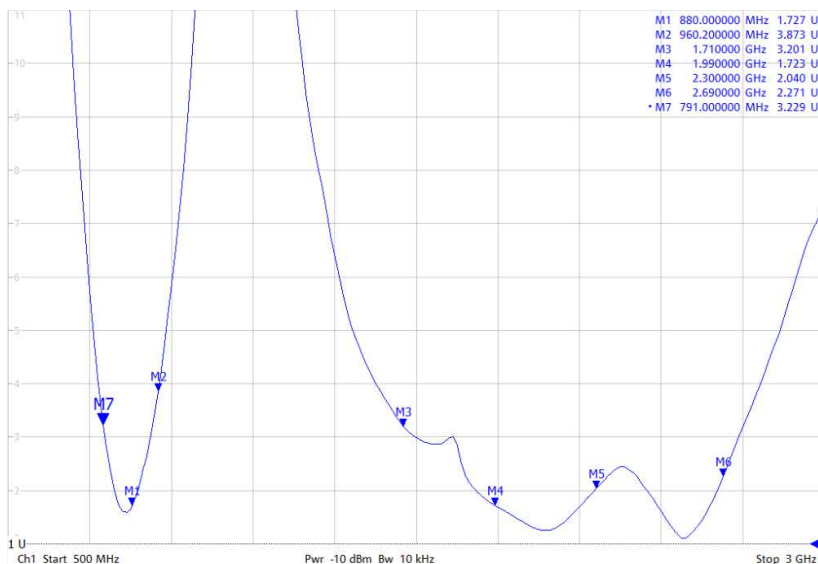
Item	Specification
Frequency Band	791~960 MHz 、 1710~2690 MHz
VSWR	4.5 Max
Polarization	Linear
Impedance	50 ohm Typ.

* Test condition : Test board size 120*45 mm

Matching circuit may be required

3. Electrical Characteristics :

3.1 VSWR



Frequency(MHz)	VSWR
791	3.23
880	1.73
960	3.87
1710	3.20
1990	1.72
2300	2.04
2690	2.27

UNLESS OTHER SPECIFIED TOLERANCES:±0.2



INPAQ TECHNOLOGY CO., LTD.

SCALE: 1:1

UNIT: mm

DRAWN BY: 李志强

CHECKED BY: 林娟

DESIGNED BY: 刘源

APPROVED BY: 唐龙

THIS DRAWINGS AND SPECIFICATIONS ARE THE PROPERTY OF INPAQ TECHNOLOGY CO.,LTD.AND SHALL NOT BE REPRODUCED OR USED AS THE BASIS FOR THE MANUFACTURE OR SALE OF APPARATUS OR DEVICES WITHOUT PERMISSION

TITLE : MDA-LTE4-008-B Specification

DOCUMENT
NO.

ENS000120830

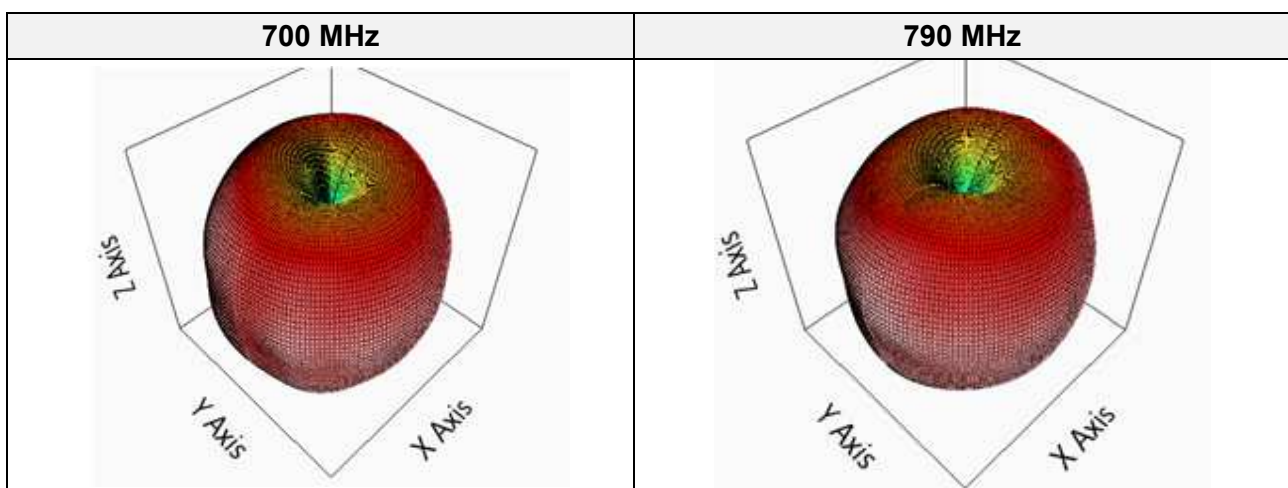
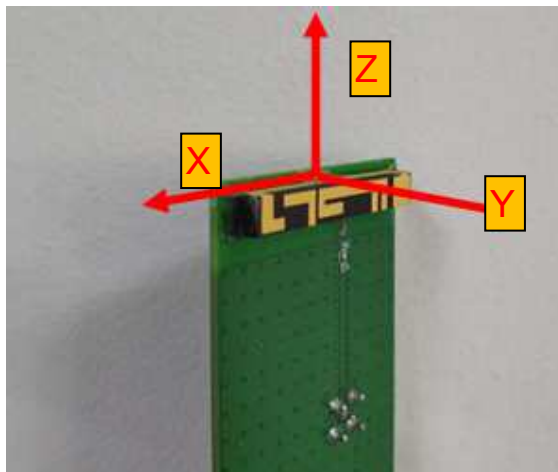
SPEC REV.
P0

3.2 Efficiency and Gain

Frequency (MHz)	Peak Gain (dBi)	Efficiency (%)
791	0.27	53.68
824	1.00	65.02
849	0.80	61.50
880	1.05	61.14
897	0.55	54.20
960	-0.09	46.43
1710	1.92	42.92
1880	1.24	42.46
1900	2.37	50.35
1990	3.58	66.37
2170	4.12	73.10
2250	3.78	72.39
2300	2.45	59.18
2500	5.44	62.68
2570	5.95	66.85
2690	5.18	46.62

*Antenna Test Date on Demo Board

3.3 3D Radiation Patten



UNLESS OTHER SPECIFIED TOLERANCES:±0.2



INPAQ TECHNOLOGY CO., LTD.

SCALE: 1:1

UNIT: mm

DRAWN BY: 李志强

CHECKED BY: 林娟

DESIGNED BY: 刘源

APPROVED BY: 唐龙

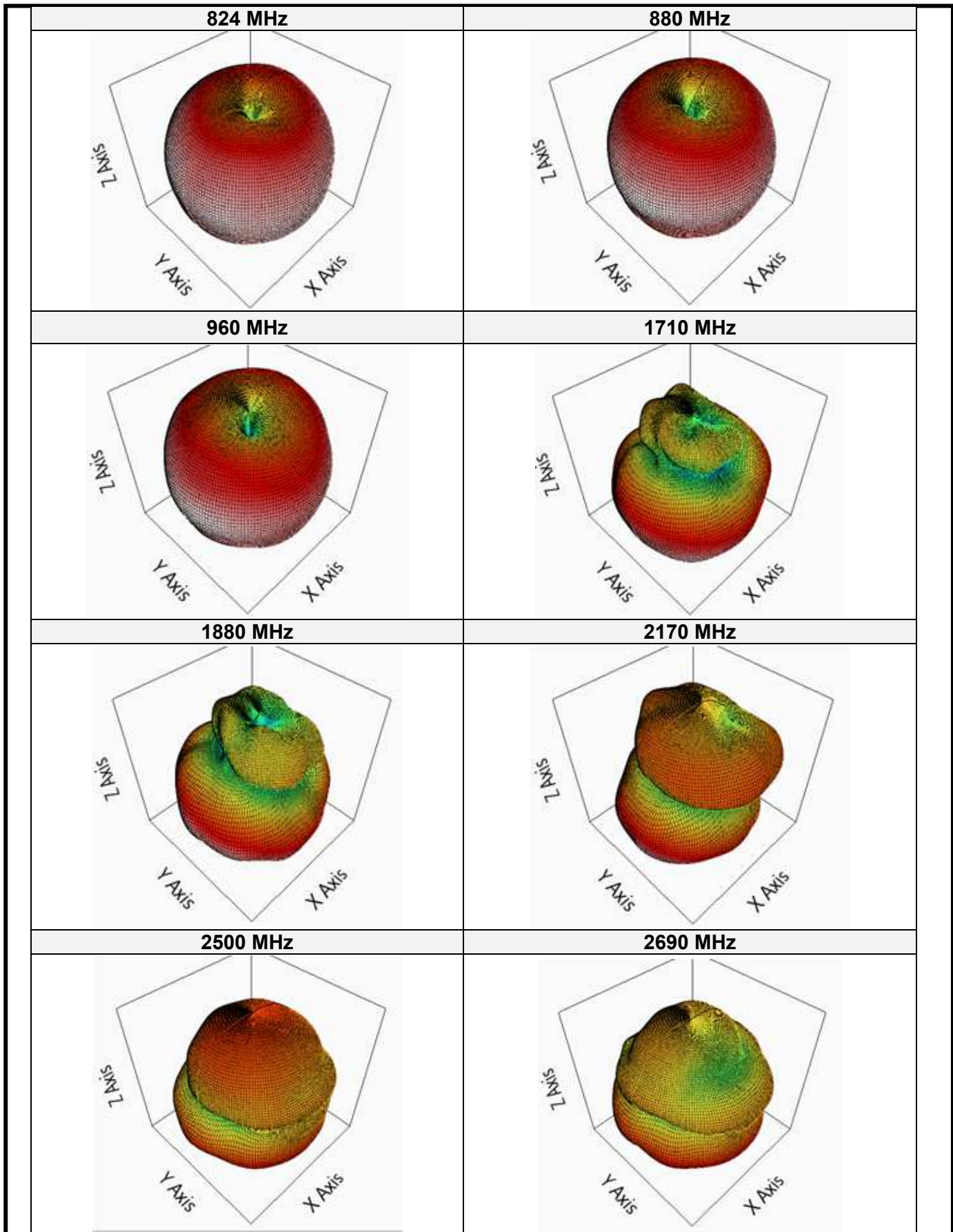
THIS DRAWINGS AND SPECIFICATIONS ARE THE PROPERTY OF INPAQ TECHNOLOGY CO.,LTD.AND SHALL NOT BE REPRODUCED OR USED AS THE BASIS FOR THE MANUFACTURE OR SALE OF APPARATUS OR DEVICES WITHOUT PERMISSION

TITLE : MDA-LTE4-008-B Specification

DOCUMENT NO.

ENS000120830

SPEC REV. P0



UNLESS OTHER SPECIFIED TOLERANCES:±0.2



INPAQ TECHNOLOGY CO., LTD.

SCALE: 1:1

UNIT: mm

DRAWN BY: 李志强

CHECKED BY: 林娟

DESIGNED BY: 刘源

APPROVED BY: 唐龙

THIS DRAWINGS AND SPECIFICATIONS ARE THE PROPERTY OF INPAQ TECHNOLOGY CO.,LTD.AND SHALL NOT BE REPRODUCED OR USED AS THE BASIS FOR THE MANUFACTURE OR SALE OF APPARATUS OR DEVICES WITHOUT PERMISSION

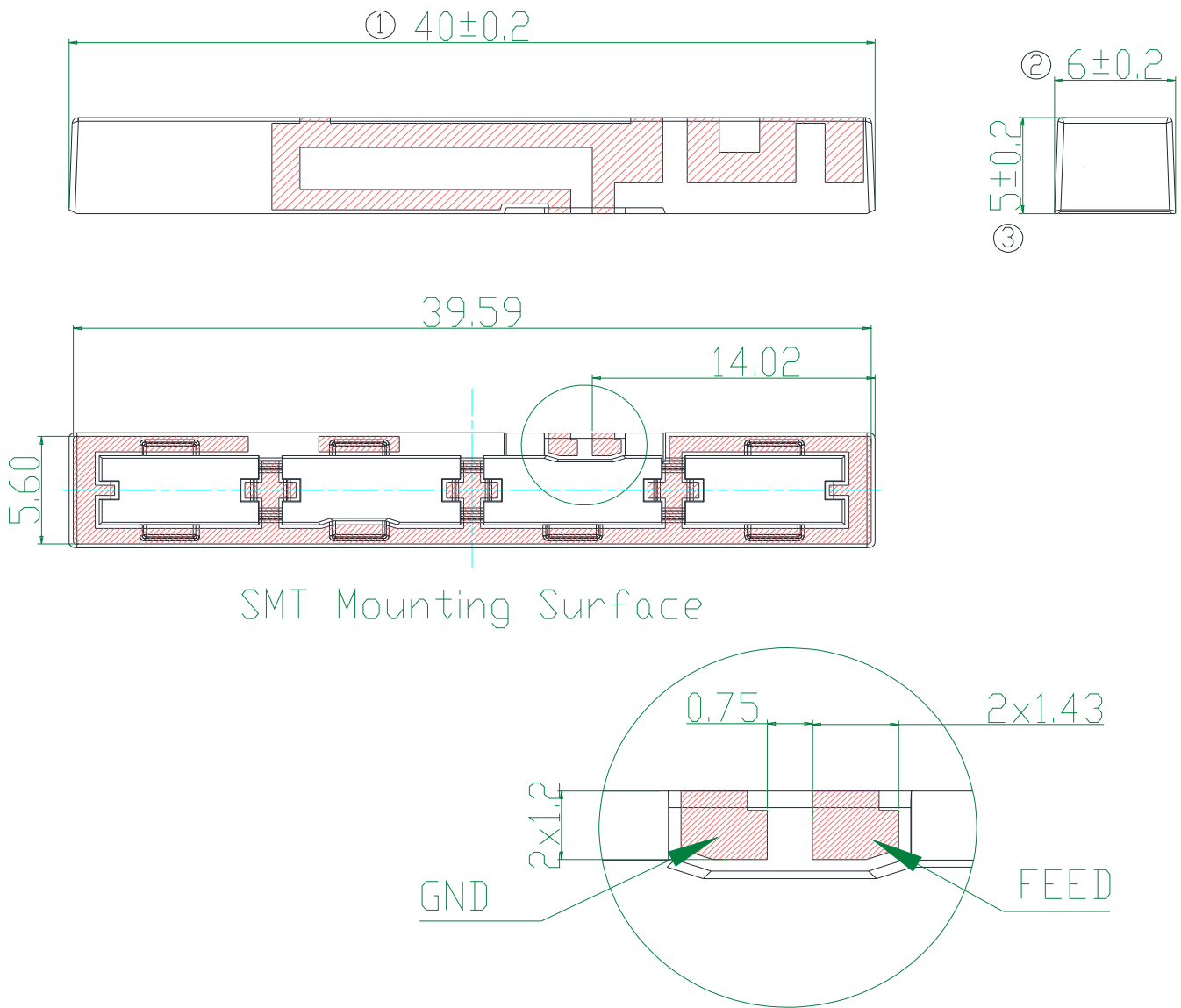
TITLE : MDA-LTE4-008-B Specification

DOCUMENT NO.

ENS000120830

SPEC REV. P0

4. Antenna Dimensions:



Item	Specification
Dimension	40x6x5mm
Material	PA
Surface treatment	Chemical Gold Plating

UNLESS OTHER SPECIFIED TOLERANCES:±0.2



INPAQ TECHNOLOGY CO., LTD.

SCALE: 1:1

UNIT: mm

DRAWN BY: 李志强

CHECKED BY: 林娟

DESIGNED BY: 刘源

APPROVED BY: 唐龙

THIS DRAWINGS AND SPECIFICATIONS ARE THE PROPERTY OF INPAQ TECHNOLOGY CO.,LTD.AND SHALL NOT BE REPRODUCED OR USED AS THE BASIS FOR THE MANUFACTURE OR SALE OF APPARATUS OR DEVICES WITHOUT PERMISSION

TITLE : MDA-LTE4-008-B Specification

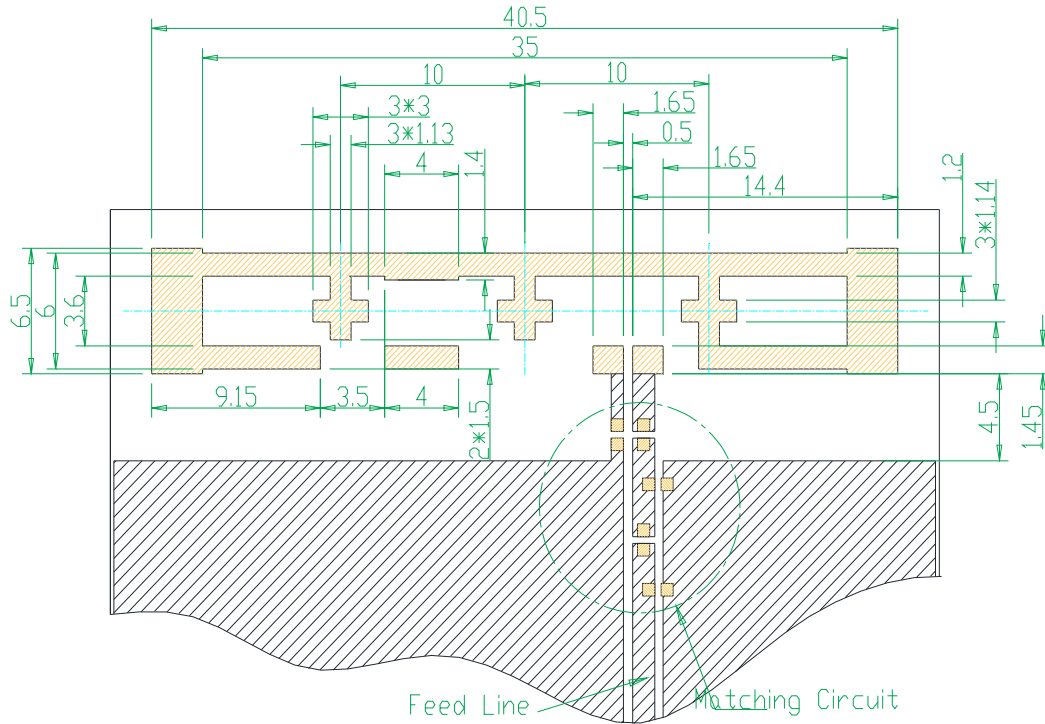
DOCUMENT NO.

ENS000120830

SPEC REV. P0

5. Recommended PCB Layout :

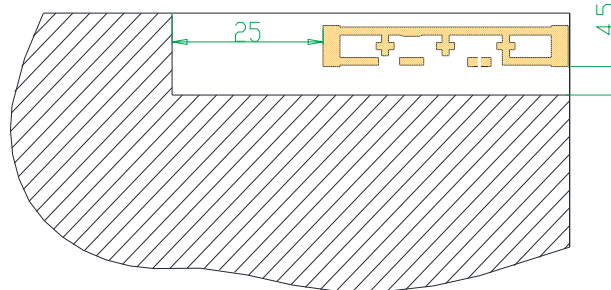
5.1 Layout



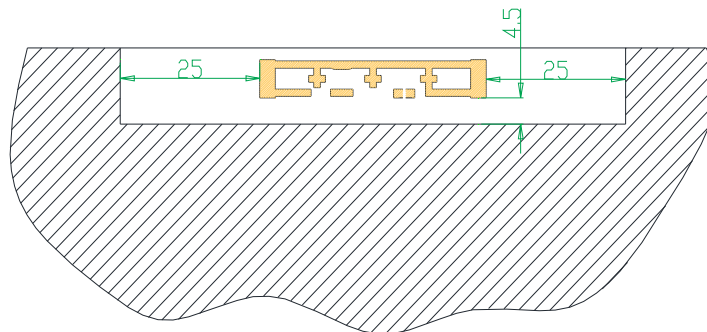
Tolerance: ± 0.05

5.2 Antenna Clearance Size

Case1: The antenna is in the corner of the PCB.



Case2: The antenna is in other non-corner locations of one side.



UNLESS OTHER SPECIFIED TOLERANCES: ± 0.2



INPAQ TECHNOLOGY CO., LTD.

SCALE: 1:1

UNIT: mm

DRAWN BY: 李志强

CHECKED BY: 林娟

DESIGNED BY: 刘源

APPROVED BY: 唐龙

THIS DRAWINGS AND SPECIFICATIONS ARE THE PROPERTY OF INPAQ TECHNOLOGY CO.,LTD.AND SHALL NOT BE REPRODUCED OR USED AS THE BASIS FOR THE MANUFACTURE OR SALE OF APPARATUS OR DEVICES WITHOUT PERMISSION

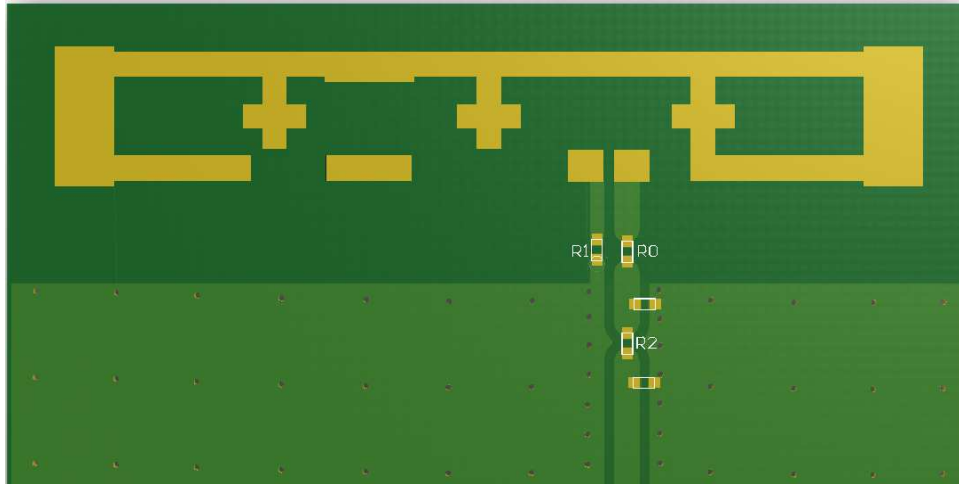
TITLE : MDA-LTE4-008-B Specification

DOCUMENT NO.

ENS000120830

SPEC REV.
P0

5.3 Matching Circuit on Demo-board



Circuit Symbol	Size	Description
R0	0402	0Ω
R1	0402	0Ω
R2	0402	0Ω

6. Environmental Characteristics :

6.1 Reliability Test

Item	Condition	Specification
Thermal shock	<ol style="list-style-type: none"> 30 minutes at -40°C±5°C, Convert to +105°C in 5 minutes, 30 minutes at +105°C±5°C, Convert to -40°C in 5 minutes, Total 1000 continuous cycles. 	No apparent damage, Fulfill the electrical Spec. after test.
High Temperature / Humidity resistance	<ol style="list-style-type: none"> Humidity : 85±5% RH, Temperature : 85±3°C, Time : 1000 hours. 	No apparent damage, Fulfill the electrical Spec. after test.
High temperature resistance	<ol style="list-style-type: none"> Temperature : 105°C±5°C, Time : 1000 hours. 	No apparent damage, Fulfill the electrical Spec. after test.
Low temperature resistance	<ol style="list-style-type: none"> Temperature : -40°C±5°C, Time : 1000 hours. 	No apparent damage, Fulfill the electrical Spec. after test.
Soldering heat resistance	<ol style="list-style-type: none"> Solder bath temperature : 260±5°C, Bathing time : 10±0.5 seconds. 	No apparent damage.
Solderability	The dipped surface of the terminal shall be at least 95% covered with solder after dipped in solder bath of 245±5°C for 5±0.5seconds.	No apparent damage.

UNLESS OTHER SPECIFIED TOLERANCES:±0.2



INPAQ TECHNOLOGY CO., LTD.

SCALE: 1:1

UNIT: mm

DRAWN BY: 李志强

CHECKED BY: 林娟

DESIGNED BY: 刘源

APPROVED BY: 唐龙

THIS DRAWINGS AND SPECIFICATIONS ARE THE PROPERTY OF INPAQ TECHNOLOGY CO.,LTD.AND SHALL NOT BE REPRODUCED OR USED AS THE BASIS FOR THE MANUFACTURE OR SALE OF APPARATUS OR DEVICES WITHOUT PERMISSION

TITLE : MDA-LTE4-008-B Specification

DOCUMENT
NO.

ENS000120830

SPEC REV.
P0

6.2 Storage condition:

(a) At warehouse :

The temperature should be within 0 ~ 30°C and humidity should be less than 60% RH.

The product should be used within 1 year from the time of delivery.

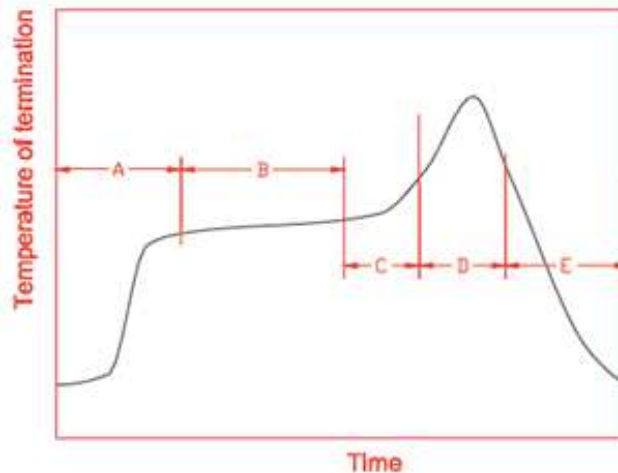
(b) On board :

The temperature should be within -40 ~ 85°C and humidity should be less than 85% RH.

6.3 Operating temperature range:

Operating temperature range : -40 ~ +105°C.

7. Recommended reflow soldering :



A	1 st rising temperature	The normal to Preheating temperature	30s to 60s
B	Preheating	140°C to 200°C	90s to 120s
C	2 nd rising temperature	Preheating to 217°C	30s to 60s
D	Main heating	240°C ~ 260°C	20s to 40s
E	Regular cooling	200°C to 100°C	3°C/s ~ 6C/s

UNLESS OTHER SPECIFIED TOLERANCES:±0.2



INPAQ TECHNOLOGY CO., LTD.

SCALE: 1:1

UNIT: mm

DRAWN BY: 李志强

CHECKED BY: 林娟

DESIGNED BY: 刘源

APPROVED BY: 唐龙

THIS DRAWINGS AND SPECIFICATIONS ARE THE PROPERTY OF INPAQ TECHNOLOGY CO.,LTD.AND SHALL NOT BE REPRODUCED OR USED AS THE BASIS FOR THE MANUFACTURE OR SALE OF APPARATUS OR DEVICES WITHOUT PERMISSION

TITLE : MDA-LTE4-008-B Specification

DOCUMENT
NO.

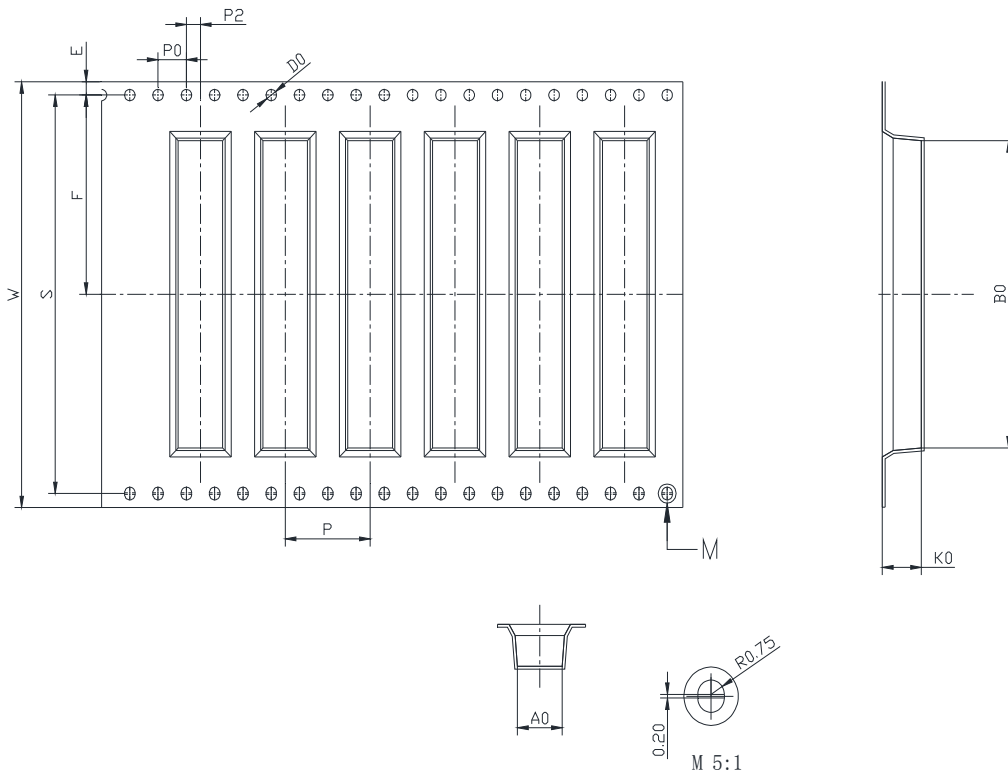
ENS000120830

SPEC REV.
P0

8. Packing :

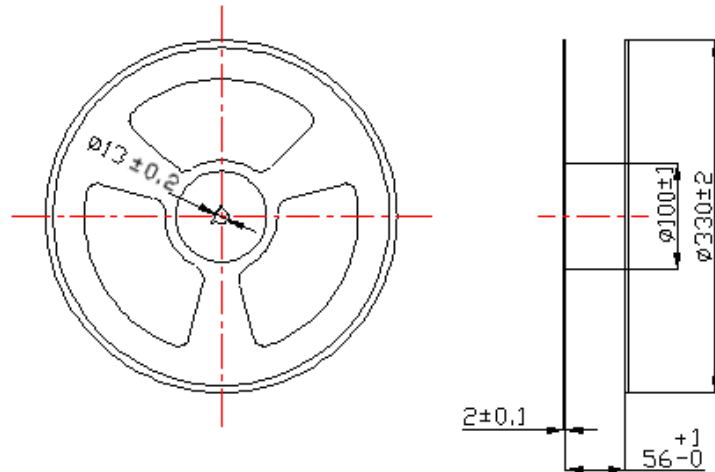
8.1 Quantity/Reel : 750pcs/Reel

8.2 Carrier tape dimensions



Item	規格
W	56.00
P	12.00
S	52.40
E	1.75
F	26.20
P2	2.00
D0	1.50
D1	----
Po	4.00
10Po	40.00
Ao	6.30
B0	40.40
Ko	5.50

8.3 Taping reel dimensions



UNLESS OTHER SPECIFIED TOLERANCES: ± 0.2



INPAQ TECHNOLOGY CO., LTD.

SCALE: 1:1

UNIT: mm

DRAWN BY: 李志强

CHECKED BY: 林娟

DESIGNED BY: 刘源

APPROVED BY: 唐龙

THIS DRAWINGS AND SPECIFICATIONS ARE THE PROPERTY OF INPAQ TECHNOLOGY CO.,LTD.AND SHALL NOT BE REPRODUCED OR USED AS THE BASIS FOR THE MANUFACTURE OR SALE OF APPARATUS OR DEVICES WITHOUT PERMISSION

TITLE : MDA-LTE4-008-B Specification

DOCUMENT NO.

ENS000120830

SPEC REV.
P0