

4

3

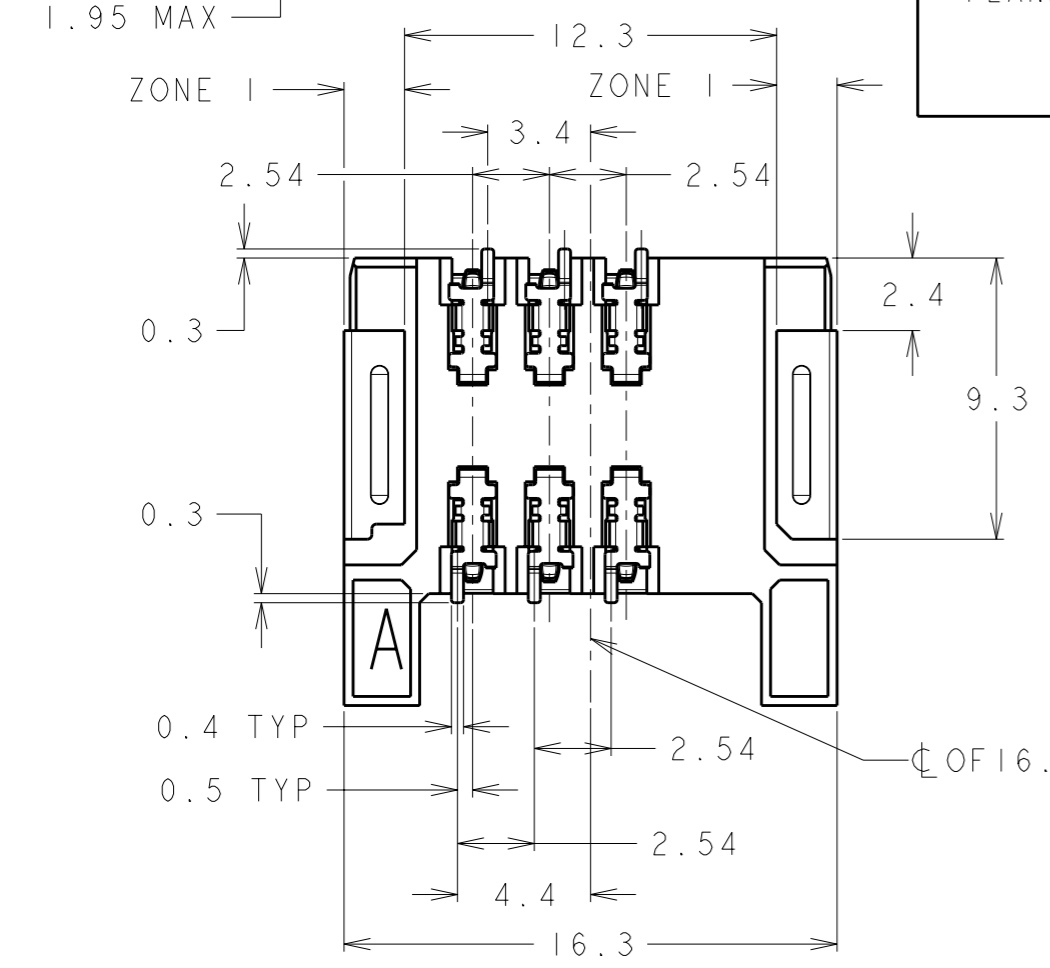
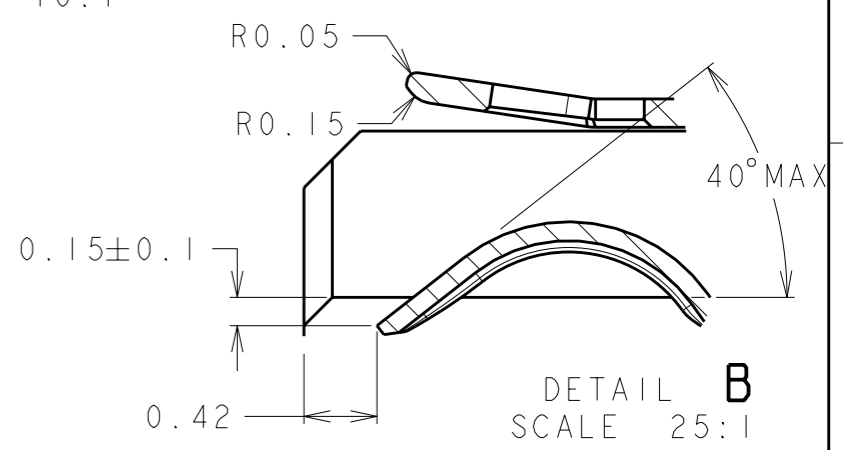
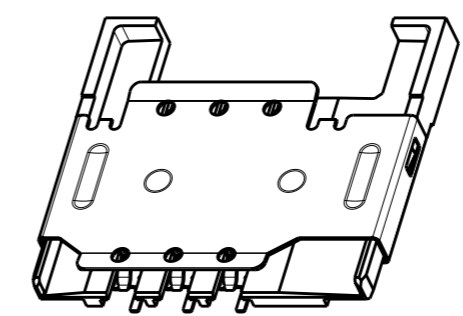
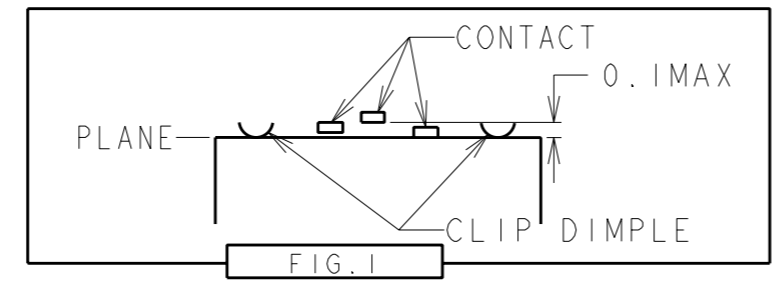
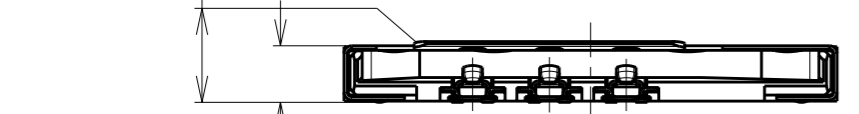
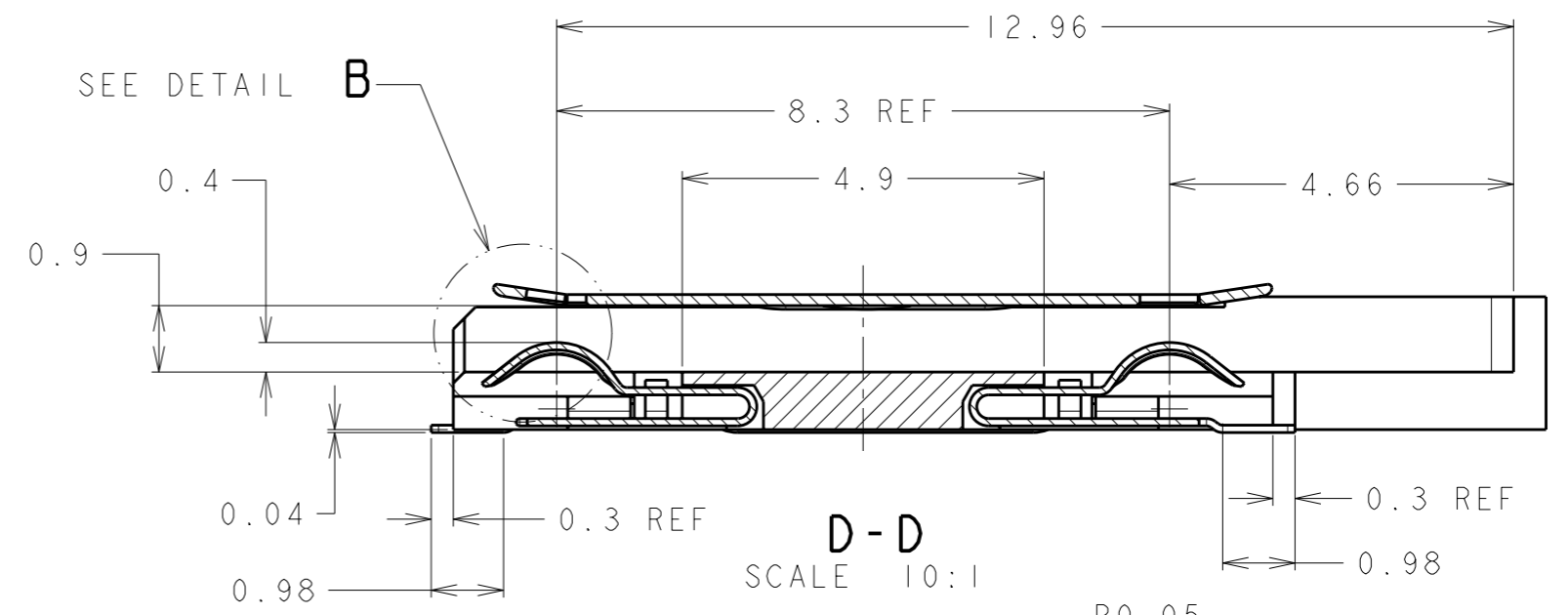
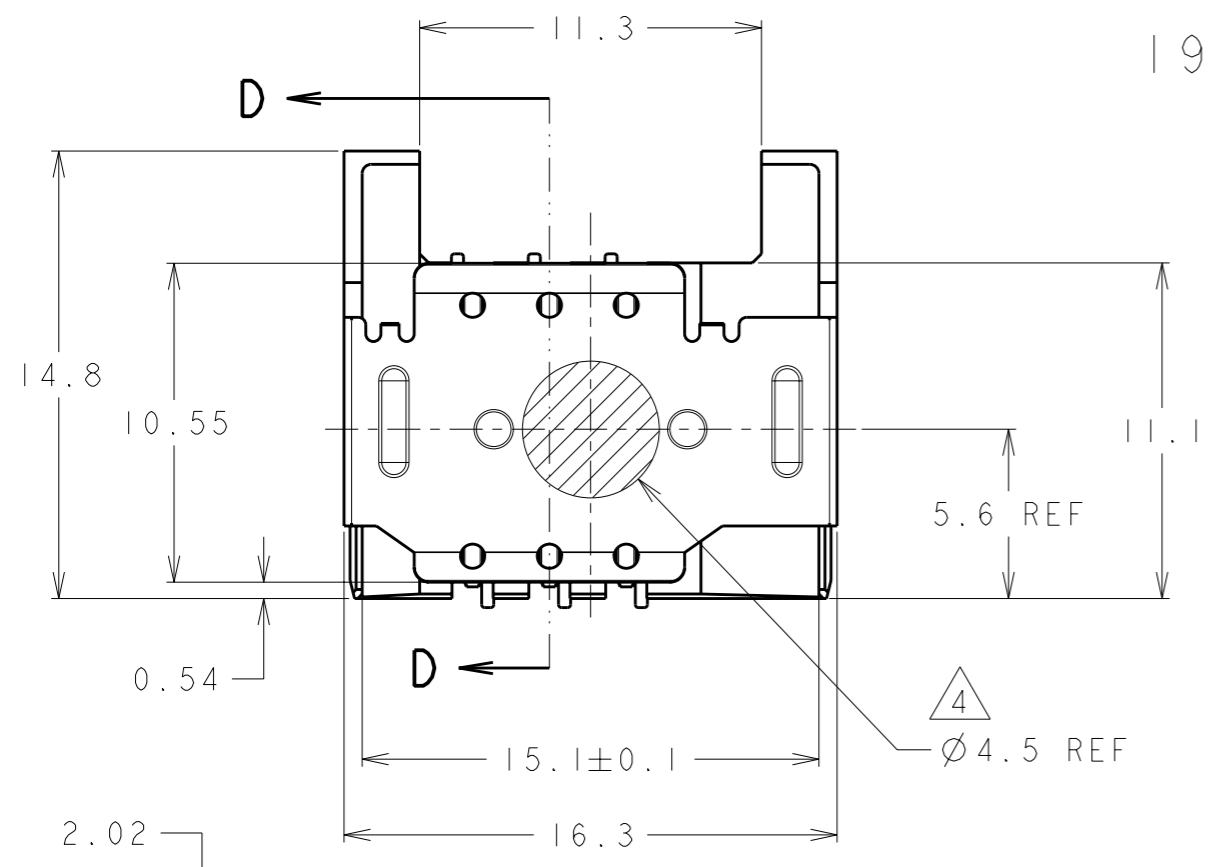
2

1

THIS DRAWING IS UNPUBLISHED. RELEASED FOR PUBLICATION 20
 © COPYRIGHT 20 BY TYCO ELECTRONICS CORPORATION. ALL RIGHTS RESERVED.

LOC	DIST	REVISIONS			
P	LTR	DESCRIPTION	DATE	DWN	APVD
ES	00	A	INITIAL RELEASE	04MAY2011	S.W S.Y
		B	REVISED	19JAN2012	S.W S.Y

1932768-1: AS SHOWN

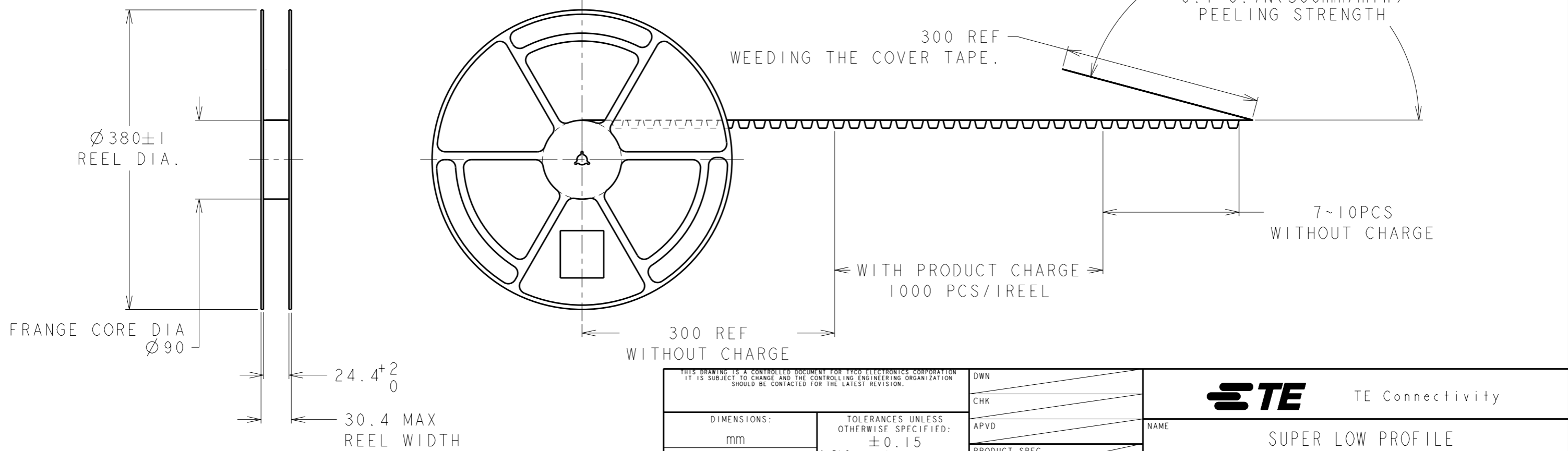
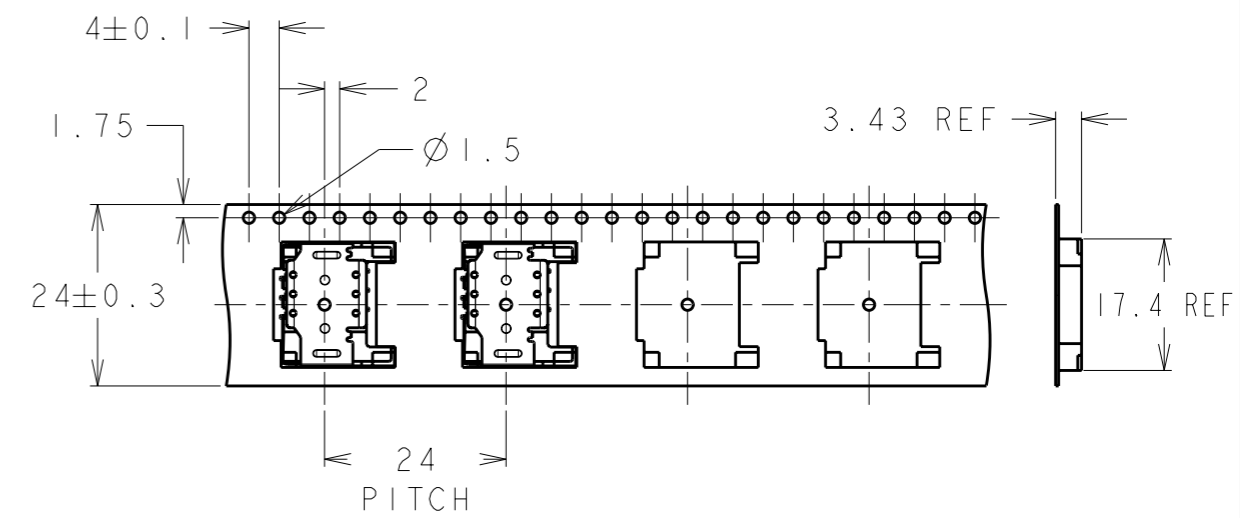
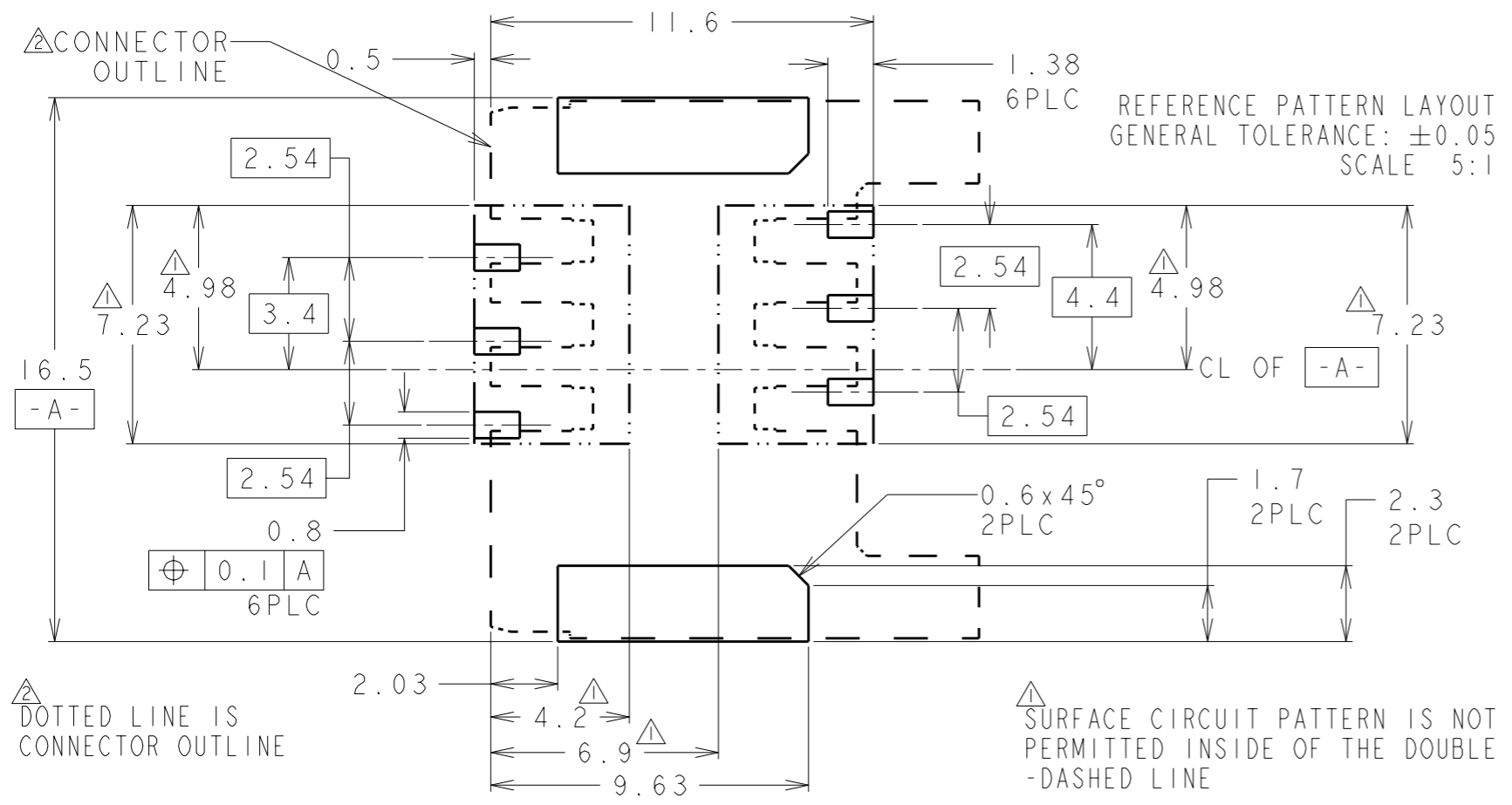


- CONTACT: COPPER ALLOY
 ALL OVER Ni: 1.27um MIN.
 CONTACT AREA PdNi: 1.0um MIN. Au: 0.2um MIN.
 SOLDERING AREA Au: 0.05um MIN.
 - CLIP: SUS
 ALL OVER Ni: 1.3um MIN.
 Tin: 1um MIN(ZONE I).
 - HOUSING: THERMOPLASTIC
- RECOMMENDED SOLDERING THICKNESS: 100um MIN.
 RECOMMENDED SOLDERING AREA:
 100% OF REFERENCE LAYOUT PATTERN
 - COPLANARITY: 0.1MAX. (SEE FIG.1)
 - REFERENCE PICK & PLACE AREA.

<small>THIS DRAWING IS A CONTROLLED DOCUMENT FOR TYCO ELECTRONICS CORPORATION IT IS SUBJECT TO CHANGE AND THE CONTROLLING ENGINEERING ORGANIZATION SHOULD BE CONTACTED FOR THE LATEST REVISION.</small>		DWN 3DEC2010 Sabrina Wang		TE Connectivity
DIMENSIONS: mm		TOLERANCES UNLESS OTHERWISE SPECIFIED: ±0.15		
		0 PLC ± 1 PLC ± 2 PLC ± 3 PLC ± 4 PLC ± ANGLES ±5°		NAME SUPER LOW PROFILE SIM H=1.95 WITH FLANGE
MATERIAL		FINISH		SIZE CAGE CODE DRAWING NO A300779 C-1932768
CUSTOMER DRAWING		WEIGHT 0.46g		RESTRICTED TO
		SCALE 4:1		SHEET 1 OF 2 REV B

THIS DRAWING IS UNPUBLISHED. RELEASED FOR PUBLICATION 20
 © COPYRIGHT 20 BY TYCO ELECTRONICS CORPORATION. ALL RIGHTS RESERVED.

LOC	DIST	REVISIONS				
P	LTR	DESCRIPTION	DATE	DWN	APVD	
ES	00	-	SEE SHEET 1	-	-	



THIS DRAWING IS A CONTROLLED DOCUMENT FOR TYCO ELECTRONICS CORPORATION IT IS SUBJECT TO CHANGE AND THE CONTROLLING ENGINEERING ORGANIZATION SHOULD BE CONTACTED FOR THE LATEST REVISION.

DIMENSIONS:	TOLERANCES UNLESS OTHERWISE SPECIFIED:	DWN	TE Connectivity
mm	±0.15	CHK	
0 PLC	±	APVD	
1 PLC	±	PRODUCT SPEC	
2 PLC	±	APPLICATION SPEC	
3 PLC	±	WEIGHT	NAME
4 PLC	±	CUSTOMER DRAWING	SUPER LOW PROFILE SIM H=1.95 WITH FLANGE
ANGLES	±5°		SIZE
MATERIAL	FINISH		CAGE CODE
			DRAWING NO
			A300779
			©-1932768
			RESTRICTED TO
			SCALE 4:1
			SHEET 2 OF 2
			REV B