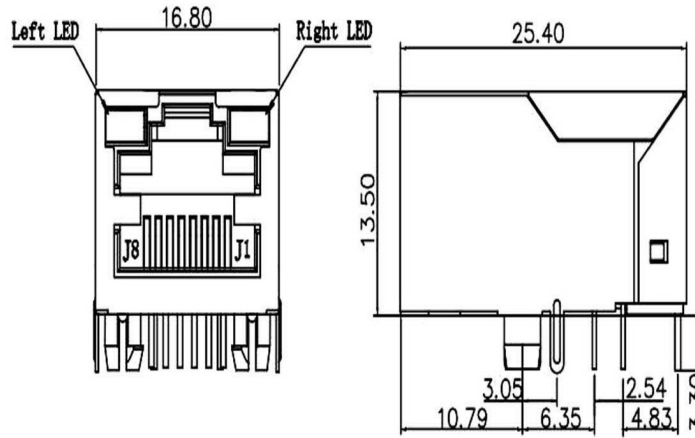
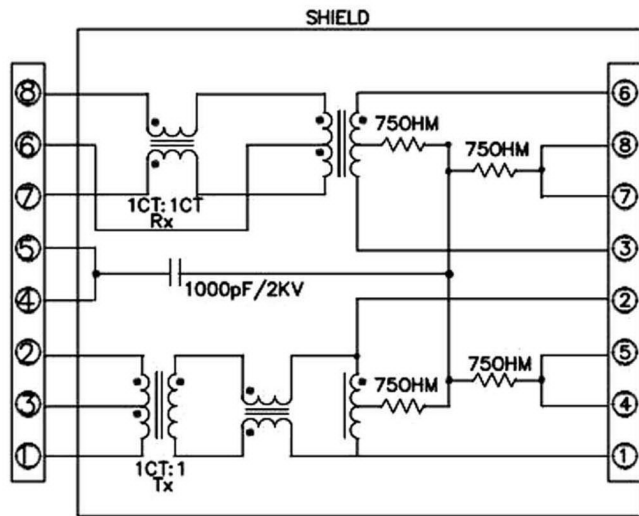


ELECTRICAL SPECIFICATIONS@25°C UNLESS OTHERWISE NOTED:

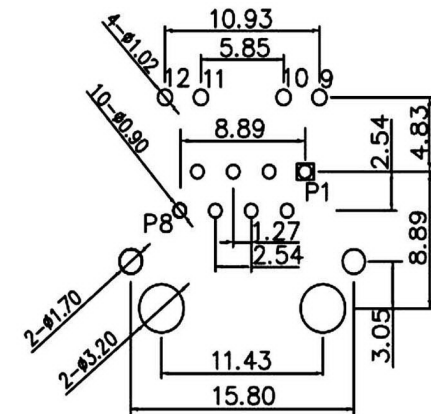
1. Turn Ratio(+/-2%): 1CT:1CT
2. Inductance OCL350uH Min @100KHz/0.1V DC BIAS 8mA
3. Insertion Loss:
-1.0dB Max @1.0-100MHz
4. Return Loss:
-20dB Min @1-30MHz
-16dB Min @30-60MHz
-12dB Min @60-80MHz
5. Cross talk:
-40dB Min @1-30MHz
-35dB Min @30-60MHz
6. Common Mode Rejection:
-30dB Min @1-50MHz
-20dB Min @50-150MHz
7. Working voltage: 3 V
8. Working current: 8 mA MAX
9. OPERATING TEMPERATURE RANGE: 0-70°C
10. STORAGE TEMPERATURE RANGE: -40~+80°C

SCHEMATICS

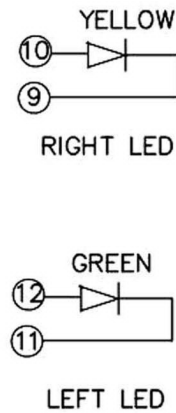


Connect Material:

Housing: Thermoplastic, PBT, UL 94V-0, Black
 Contact/Shield: Cooper alloy
 Shield Plating: Nickel
 Contact Plating: Selective gold 6u" Min



P. C. B RECOMMENDED HOLE LAYOUT SEEN FROM COMPONENT SIDE.
 ALL CENTERLINE DIMENSIONS ARE BASIC



RoHS Compliant		HSM 玄茂科技股份有限公司 HSUAN MAO TECHNOLOGY CO., LTD.	
APPD. 核准 Betty	SCALE 比例 参考 UNIT 單位 M M PAGE 張數 1 OF 1	TOLERANCE 容許公差 .0 ± 0.30 .00 ± 0.20 ANG. ± 3° SIZE 紙張尺寸 A 4 REV. 版次 A	PART NAME 品名 RJ45 TRANSFORMER PCB JACK LATCH ON THE UP SIDE WITH FULLY SHIELDED (BEHIND PEG 3.05mm) W/O TABS SELECTIVE GOLD 6U" PLATING FLAT PIN BLACK COLOR ROHS PART NO. 料號 C0081-88AYQB04R
DATE 制表日 2015/08/11			