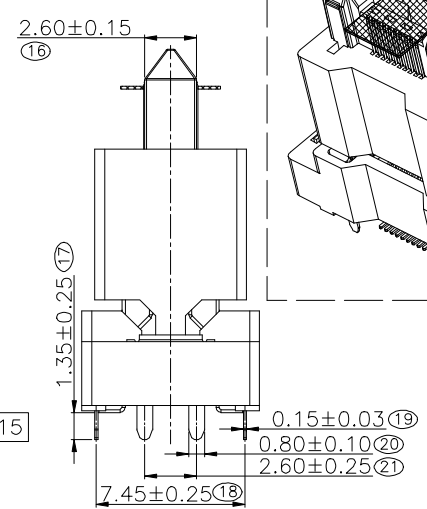
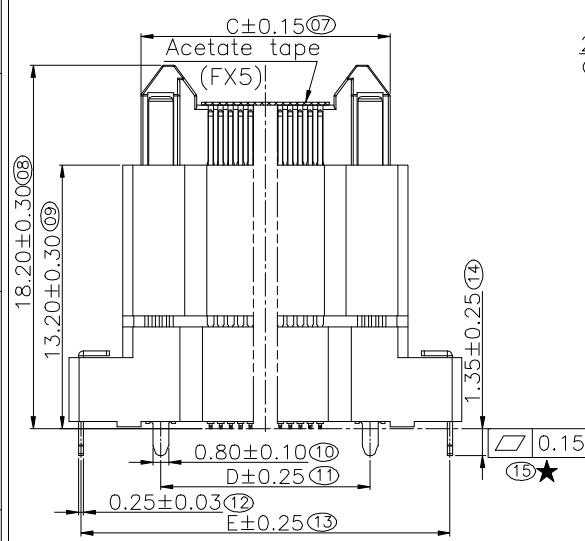
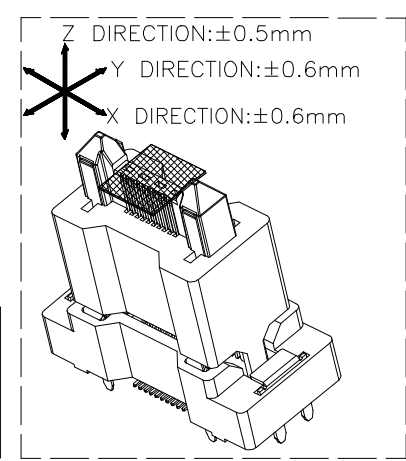
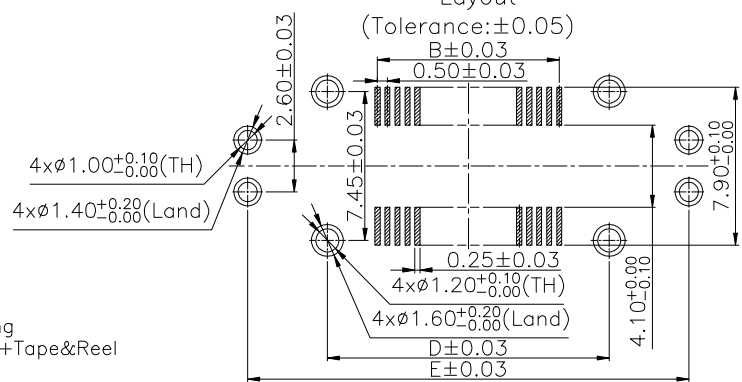


| No. of contacts | Dimension Information | | | | | |
|-----------------|-----------------------|-------|-------|-------|-------|------|
| | A | B | C | D | E | F |
| 2x10 | 18.70 | 4.50 | 11.50 | 9.50 | 17.50 | 5.0 |
| 2x20 | 23.70 | 9.50 | 16.50 | 14.50 | 22.50 | 10.0 |
| 2x30 | 28.70 | 14.50 | 21.50 | 19.50 | 27.50 | 10.0 |
| 2x40 | 33.70 | 19.50 | 26.50 | 24.50 | 32.50 | 10.0 |
| 2x50 | 38.70 | 24.50 | 31.50 | 29.50 | 37.50 | 10.0 |
| 2x60 | 43.70 | 29.50 | 36.50 | 34.50 | 42.50 | 10.0 |

Specifications
 Current capacity:
 Signal contact:0.5A/pin. Power contact:3A/pin.
 Insulation Resistance:Signal part:100MΩ.
 Power part:1000MΩ.
 Dielectric Withstanding Voltage:Signal part:at AC 150Vfor 1 minute.
 Power part:at AC 600V for 1 minute.
 Contact Resistance:Signal part:70mΩ.
 Power part:20mΩ.
 Operating Temperature:-55°C to +105°C.
 Materials
 Contact Material:Copper alloy.
 Insulator Material:High Temperature Thermoplastic, UL 94V-0 LCP or the equivalent material
 ☆ All materials must meet GREENCONN hazardous substances control standards.
 ★: Critical Characteristics, indicates product characteristics, functionalities, and manufacturing processes regarding to customer's specifications
 ☆★: Safety Features indicates product characteristics, functionalities, and manufacturing processes complying to legal regulations stated by local government



Recommended P.C.Board Layout



Ordering Information

G GAC203 - XX XX A 001 X X X X

No. of Pins per Row 10,20,30,40,50,60
 Standard Plating 02=Gold Flash
 09=3u"AU/Gold Flash
 Insulator Material C=LCP
 Color 1=Black G=Multiple
 Contact Material H=Acetate Tape+Tape&Reel
 Standard Packing

| | | | | | | | |
|---|--|-------------------|----------|-----------|----------------------|---------------|--|
| Website: www.greenconn.com E-mail: sales@greenconn.com | 3RD.ANG PROJ. | GENERAL TOLERANCE | | DESIGNED: | DATE: | DWG. NO. | TITLE. |
| | REV. A UNIT. mm SCALE. 4:1 PAGE. 1/1 | .X'±5.0' | .X±0.30 | CHECKED: | DATE: | GGAC203-CA001 | 0.5mm PITCH Male BTB FLOATING CONNECTOR Matting H=20mm |
| | | .XX'±2.0' | .XX±0.15 | APPROVED: | DATE: | PART NO. | |
| | .XXX'±1.0' | .XXX±0.10 | | | GGAC203-XXXXA001C1GX | | |