

No. of contacts	Dimension Information			
	A	B	C	D
2x10	17.20	4.50	9.50	15.70
2x20	22.20	9.50	14.50	20.70
2x30	27.20	14.50	19.50	25.70
2x40	32.20	19.50	24.50	30.70
2x50	37.20	24.50	29.50	35.70
2x60	42.20	29.50	34.50	40.70

F

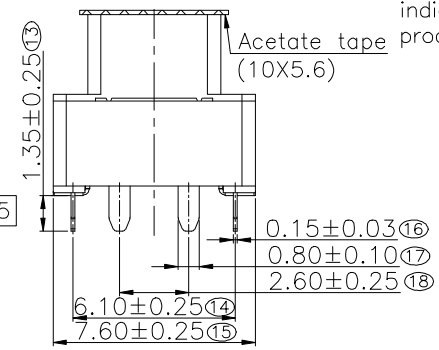
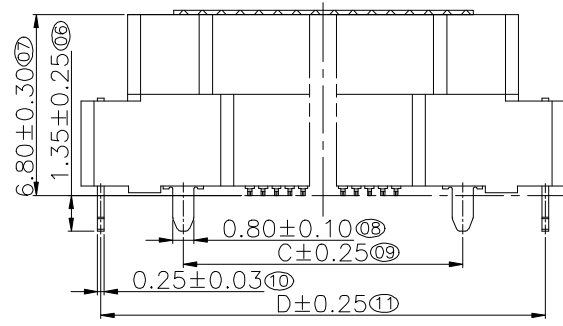
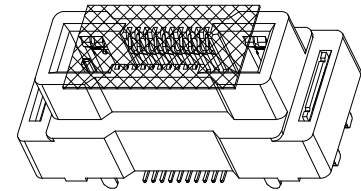
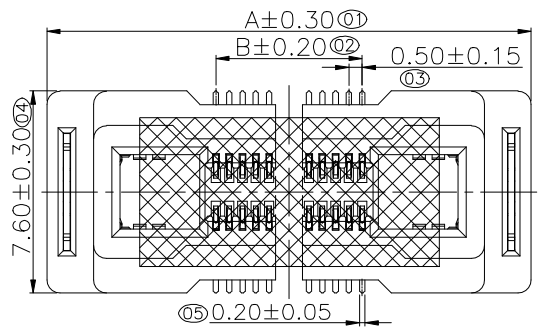
E

D

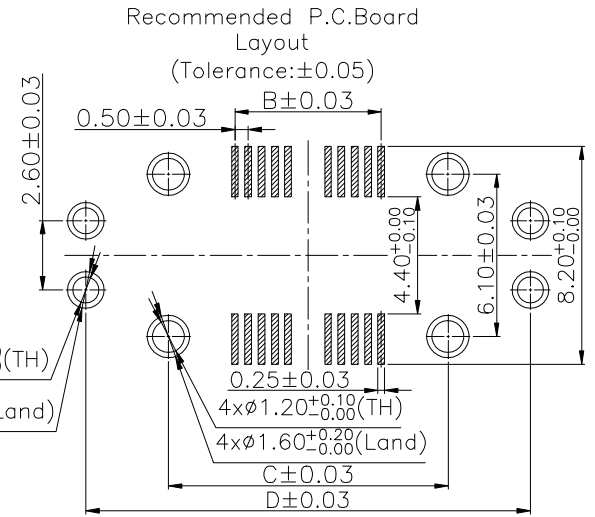
C

B

A



Specifications
 Current capacity:
 Signal contact:0.5A/pin. Power contact:3A/pin.
 Insulation Resistance:Signal part:100MΩ.Power part:1000MΩ.
 Dielectric Withstanding Voltage:
 Signal part:at AC 150V for 1 minute.Power part:at AC 600V for 1 minute.
 Contact Resistance:Signal part:70mΩ.Power part:20mΩ.
 Operating Temperature:-55°C to +105°C.
 Materials
 Contact Material:Copper alloy.
 Insulator Material:High Temperature Thermoplastic, UL 94V-0 LCP or the equivalent material
 ★ All materials must meet GREENCONN hazardous substances control standards.
 "★": Critical Characteristics, indicates product characteristics, functionalities, and manufacturing processes regarding to customer's specifications
 "☆": Safety Features indicates product characteristics, functionalities, and manufacturing processes complying to legal regulations stated by local government



Ordering Information

C GAC203 - XX XX A 001 X X X X

No. of Pins per Row Standard Plating Insulator Material Color Contact Material Standard Packing
 10,20,30,40,50,60 02=Gold Flash C=LCP 1=Black G=Multiple materials H=Acetate Tape+Tape&Reel
 09=3u"AU/Gold Flash

 Website: www.greenconn.com E-mail: sales@greenconn.com	3RD.ANG PROJ.	GENERAL TOLERANCE		DESIGNED:	DATE:	DWG. NO.	TITLE.
	 REV. A UNIT. mm SCALE. 4:1 PAGE. 1/1	.X'±5.0'	.X±0.30	CHECKED:	DATE:	CGAC203-CA001	0.5mm PITCH Female BTB FLOATING CONNECTOR Matting H=20mm
	.XX'±2.0'	.XX±0.25	APPROVED:	DATE:	PART NO.		
	.XXX'±1.0'	.XXX±0.10			CGAC203-XXXXA001C1GX		

1 2 3 4 5 6 7 8 9