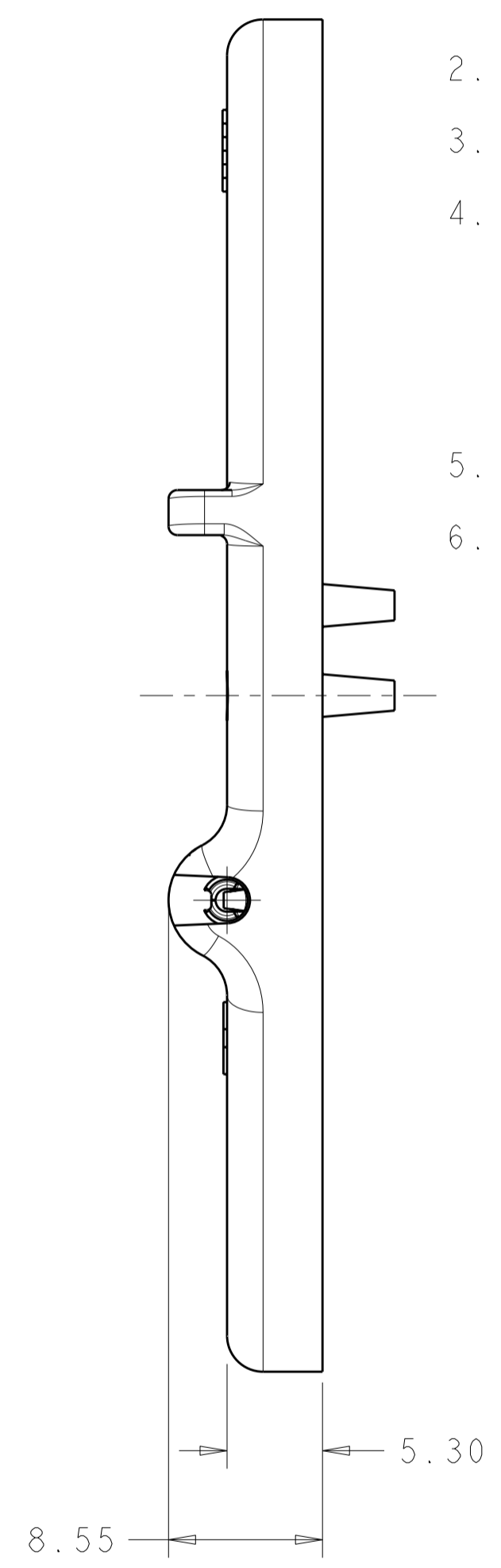
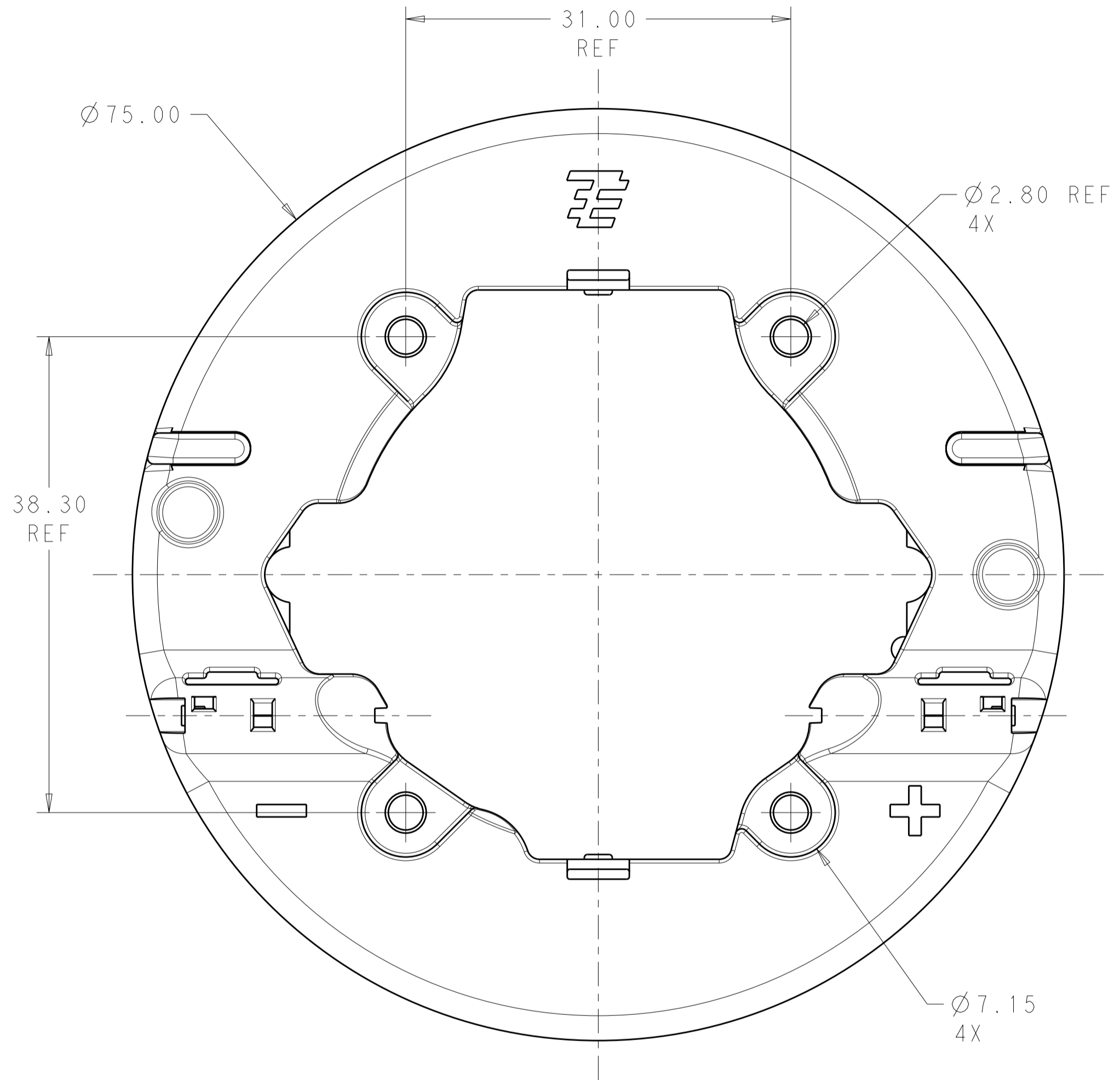


THIS DRAWING IS UNPUBLISHED. RELEASED FOR PUBLICATION 20
 © COPYRIGHT 20 BY TYCO ELECTRONICS CORPORATION. ALL INTERNATIONAL RIGHTS RESERVED.

LOC		DIST		REVISIONS			
P	LTR	DESCRIPTION	DATE	DWN	APVD		
1		PROPOSED	24JAN2011	CD	BC		
2		REVISED TITLE, ADDED PROD/APP SPEC NOs	03AUG2011	RB	MM		



- △ MATERIALS AND FINISH:
 -HOUSING: GF PBT, COLOR: NATURAL
 -CONTACTS: COPPER ALLOY, FINISH: Sn OVER Ni
- MUST COMPLY WITH DIRECTIVE 2002/95/EC (ROHS)
 - THIS PRODUCT HAS NOT COMPLETED VALIDATION TESTING
 - WIRE TYPES AND SIZES ACCEPTED
 18, 20 AND 22 AWG SOLID WIRE
 18 AND 20 AWG PREBOND STRANDED WIRE
 18 AWG STRANDED WIRE (16 STRAND COUNT)
 MAX INSULATION OD: 2.10 MM (.083")
 STRIP LENGTH: 7.0±1.0 (.276")
 - USE (4) M3 SIZE SCREWS, TORQUE TO 2.5-4.0 IN-LBF
 - DESIGNED TO BE USED WITH BRIDGELUX RS SERIES LED

TYCO ELECTRONICS
 CONFIDENTIAL
 AND PROPRIETARY

PROPOSED DESIGN
 NOT PRODUCTION TOOLED

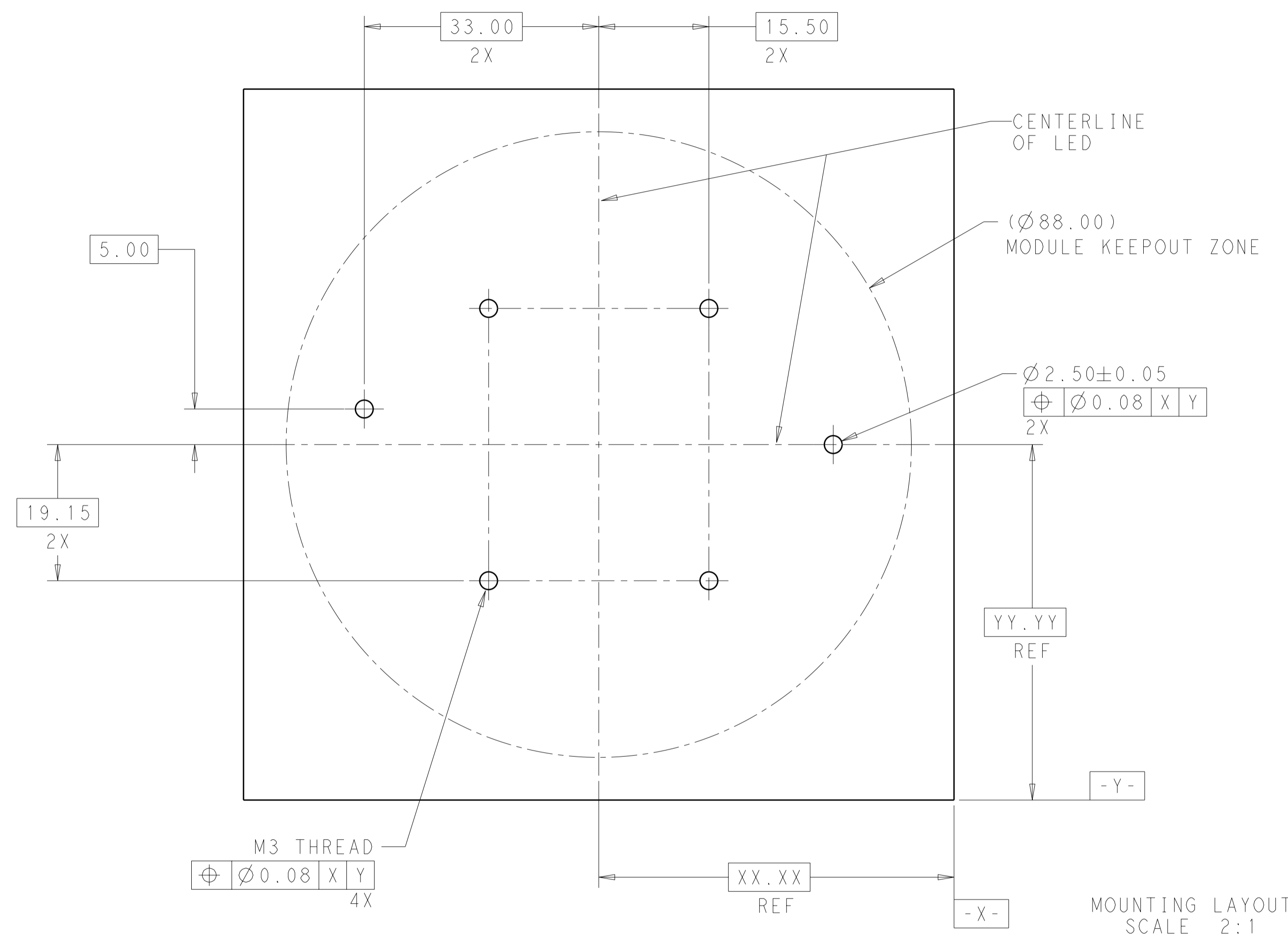
DESIGN IS SUBJECT TO
 CHANGE WITHOUT NOTICE

2154455-1
 PART NO.

<small>THIS DRAWING IS A CONTROLLED DOCUMENT FOR TYCO ELECTRONICS CORPORATION IT IS SUBJECT TO CHANGE AND THE CONTROLLING ENGINEERING ORGANIZATION SHOULD BE CONTACTED FOR THE LATEST REVISION.</small>		DWN C. DAILY 24JAN2011 CHK CHANEY 24JAN2011 APVD -	Tyco Electronics Corporation Harrisburg, PA 17105-3608	
DIMENSIONS: mm	TOLERANCES UNLESS OTHERWISE SPECIFIED: 0 PLC ± 1 PLC ± 2 PLC ±0.20 3 PLC ± 4 PLC ± ANGLES ±3° FINISH	PRODUCT SPEC 108-2466 APPLICATION SPEC 114-13302 WEIGHT -	NAME SOCKET ASSEMBLY, SOLDERLESS BR LED	
MATERIAL △ -		SIZE A200779		DRAWING NO C-2154455
CUSTOMER DRAWING		SCALE 3:1	SHEET 1 OF 2	REV 2

THIS DRAWING IS UNPUBLISHED. RELEASED FOR PUBLICATION 20
 © COPYRIGHT 20 BY TYCO ELECTRONICS CORPORATION. ALL INTERNATIONAL RIGHTS RESERVED.

LOC	DIST	P	LTR	DESCRIPTION	DATE	DWN	APVD
-	-	-	-	SEE SHEET 1	-	-	-



TYCO ELECTRONICS
 CONFIDENTIAL
 AND PROPRIETARY

PROPOSED DESIGN
 NOT PRODUCTION TOOLED

DESIGN IS SUBJECT TO
 CHANGE WITHOUT NOTICE

THIS DRAWING IS A CONTROLLED DOCUMENT FOR TYCO ELECTRONICS CORPORATION. IT IS SUBJECT TO CHANGE AND THE CONTROLLING ENGINEERING ORGANIZATION SHOULD BE CONTACTED FOR THE LATEST REVISION.		DWN C. DAILY 24 JAN 2011	Tyco Electronics Corporation Harrisburg, PA 17105-3608	
DIMENSIONS: mm		CHK CHANEY 24 JAN 2011	NAME SOCKET ASSEMBLY, SOLDERLESS BR LED	
TOLERANCES UNLESS OTHERWISE SPECIFIED: 0 PLC ± 1 PLC ± 2 PLC ±0.20 3 PLC ± 4 PLC ± ANGLES ±3° FINISH		APVD -	PRODUCT SPEC 108-2466	RESTRICTED TO -
MATERIAL -		APPLICATION SPEC 114-13302	SIZE A200779	DRAWING NO C-2154455
		WEIGHT -	SCALE 3:1	SHEET 2 OF 2
		CUSTOMER DRAWING	REV 2	