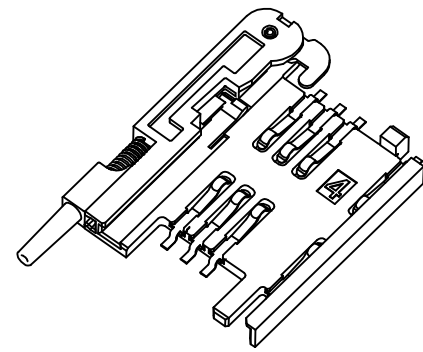
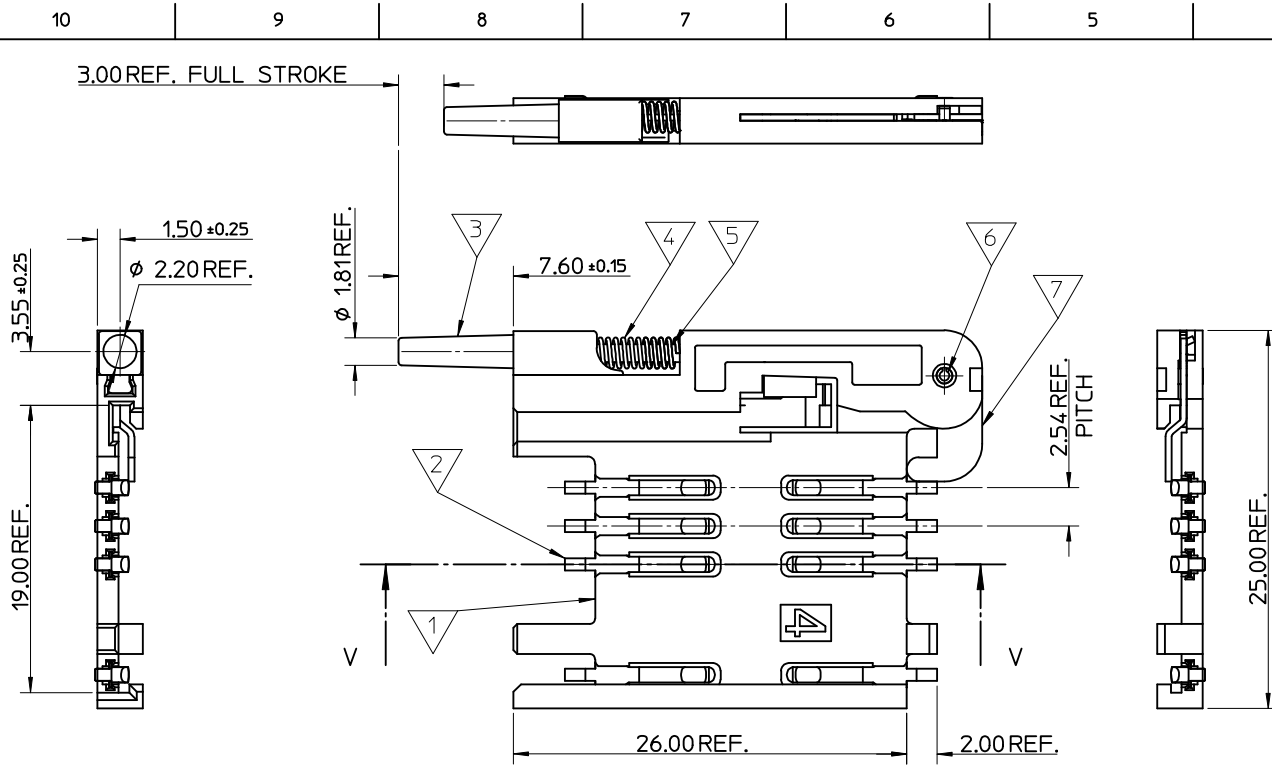


SEE SHEET 1	EC NO: E2009-0597	2009/07/29
	DRW: F DUGGAN	2009/07/30
	CHKD:	
	APPR: EFOLAN	2009/07/30
REV	DESCRIPTION	
D		

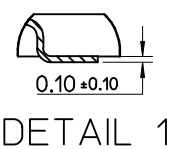
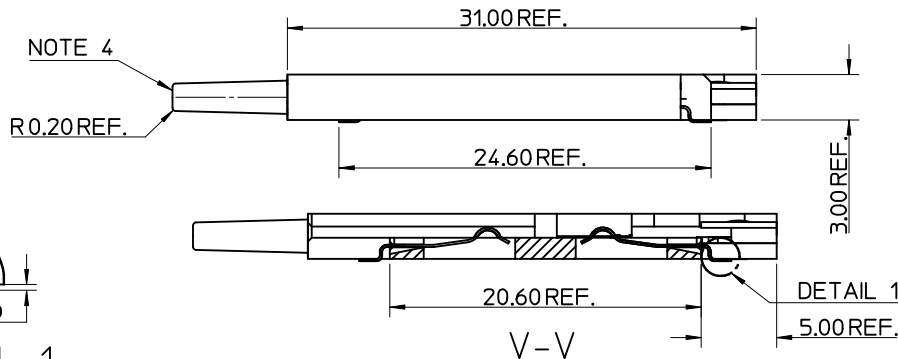
QUALITY SYMBOLS	▽ = 0
	▽ = 0
	▽ = 0
	▽ = 0
	▽ = 0

GENERAL TOLERANCES (UNLESS SPECIFIED)		DIMENSION STYLE		SCALE	DESIGN UNITS	THIRD ANGLE PROJECTION
		MM ONLY		5:1	METRIC	
4 PLACES	± ---	± ---	DRAWN BY	DATE	TITLE	SIM CONNECTOR ASSY
3 PLACES	± ---	± ---	RFORREY	2006/11/27		
2 PLACES	± 0.05	± ---	CHECKED BY	DATE		
1 PLACE	± 0.1	± ---	FDUGGAN	2006/11/27		
ANGULAR ± 2 °		APPROVED BY		DATE		
		EFOLAN		2006/11/27		
DRAFT WHERE APPLICABLE MUST REMAIN WITHIN DIMENSIONS		MATERIAL NO.		DOCUMENT NO.		
		912283002		SD-91228-001		
		SIZE		THIS DRAWING CONTAINS INFORMATION THAT IS PROPRIETARY TO MOLEX INCORPORATED AND SHOULD NOT BE USED WITHOUT WRITTEN PERMISSION		
		A3				

MATERIAL NO.		DOCUMENT NO.	SHEET NO.
912283002		SD-91228-001	2 OF 6

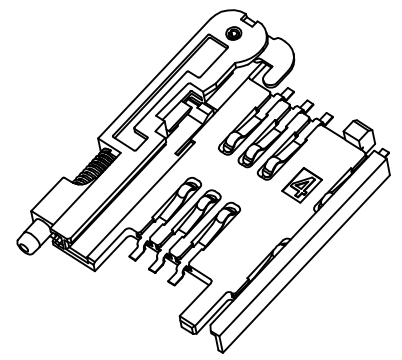
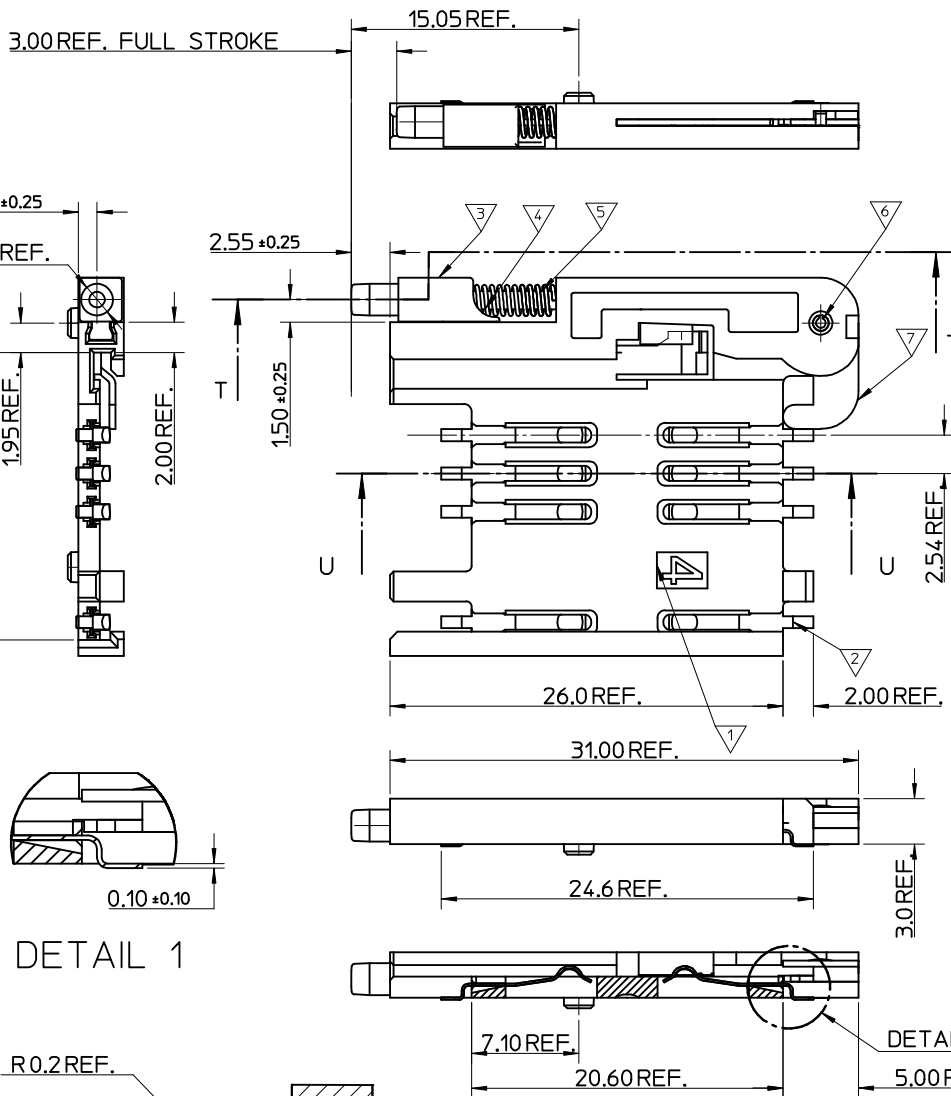


- NOTES:
- SEE PRODUCT SPECIFICATION PS-91228-004.
 - PACKAGING: TAPE & REEL, FOR DETAIL SEE SDA-91228-9001, SHEET 2.
 - SEE SHEET 1 FOR ALL UNSPECIFIED NOTES AND DIMENSIONS.
 - ALLOWABLE FLASH IN THIS AREA 0.3mm MAX.



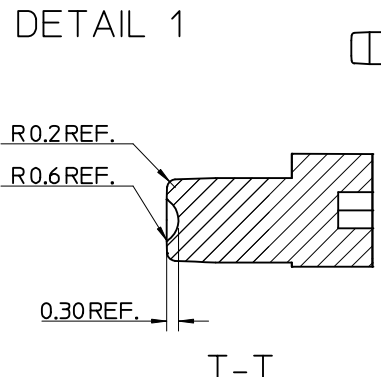
ITEM	COMPONENT	QTY	MATERIAL
▽1	HOUSING	1	LIQUID CRYSTAL POLYMER (LCP) 30% GLASS FILL, UL94 V-0, COLOUR: BLACK
▽2	TERMINAL	8	0.15 PHOSPHOR BRONZE. 0.14μm MIN Au OVER Pd/Ni IN CONTACT AREA 2.54μm MIN Sn ON SMT TAILS
▽3	PUSH BUTTON	1	GF POLYAMIDE 6T/66, NATURAL
▽4	COIL SPRING	1	0.25 REF THK STAINLESS STEEL
▽5	PUSH ROD	1	0.4 REF THK STAINLESS STEEL
▽6	C-PIN	1	STEEL
▽7	LEVER	1	0.4 REF THK STAINLESS STEEL

SEE SHEET 1 EC NO: E2009-0597 DRWN: FDUGGAN 2009/07/29 CHKD: 2009/07/30 APPR: EFOLAN 2009/07/30	QUALITY SYMBOLS	GENERAL TOLERANCES (UNLESS SPECIFIED)	DIMENSION STYLE	SCALE	DESIGN UNITS	THIRD ANGLE PROJECTION	
	▽=0 C=0	mm INCH	MM ONLY	5:1	METRIC		
		4 PLACES ± --- ± --- 3 PLACES ± --- ± --- 2 PLACES ± 0.05 ± --- 1 PLACE ± 0.1 ± ---	DRAWN BY DATE RFORREY 2006/11/27	TITLE SIM CONNECTOR ASSY			
		ANGULAR ± 2 °	CHECKED BY DATE FDUGGAN 2006/11/27	APPROVED BY DATE EFOLAN 2006/11/27			
		DRAFT WHERE APPLICABLE MUST REMAIN WITHIN DIMENSIONS	MATERIAL NO. 912283005	MOLEX INCORPORATED		SHEET NO. 3 OF 6	
			SIZE A3	THIS DRAWING CONTAINS INFORMATION THAT IS PROPRIETARY TO MOLEX INCORPORATED AND SHOULD NOT BE USED WITHOUT WRITTEN PERMISSION			

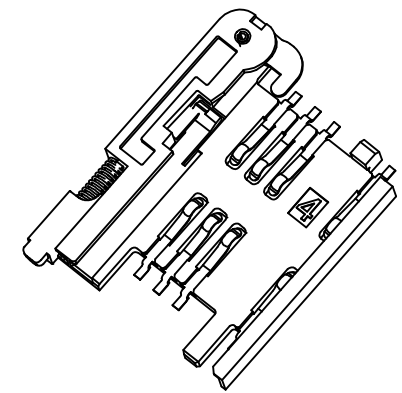
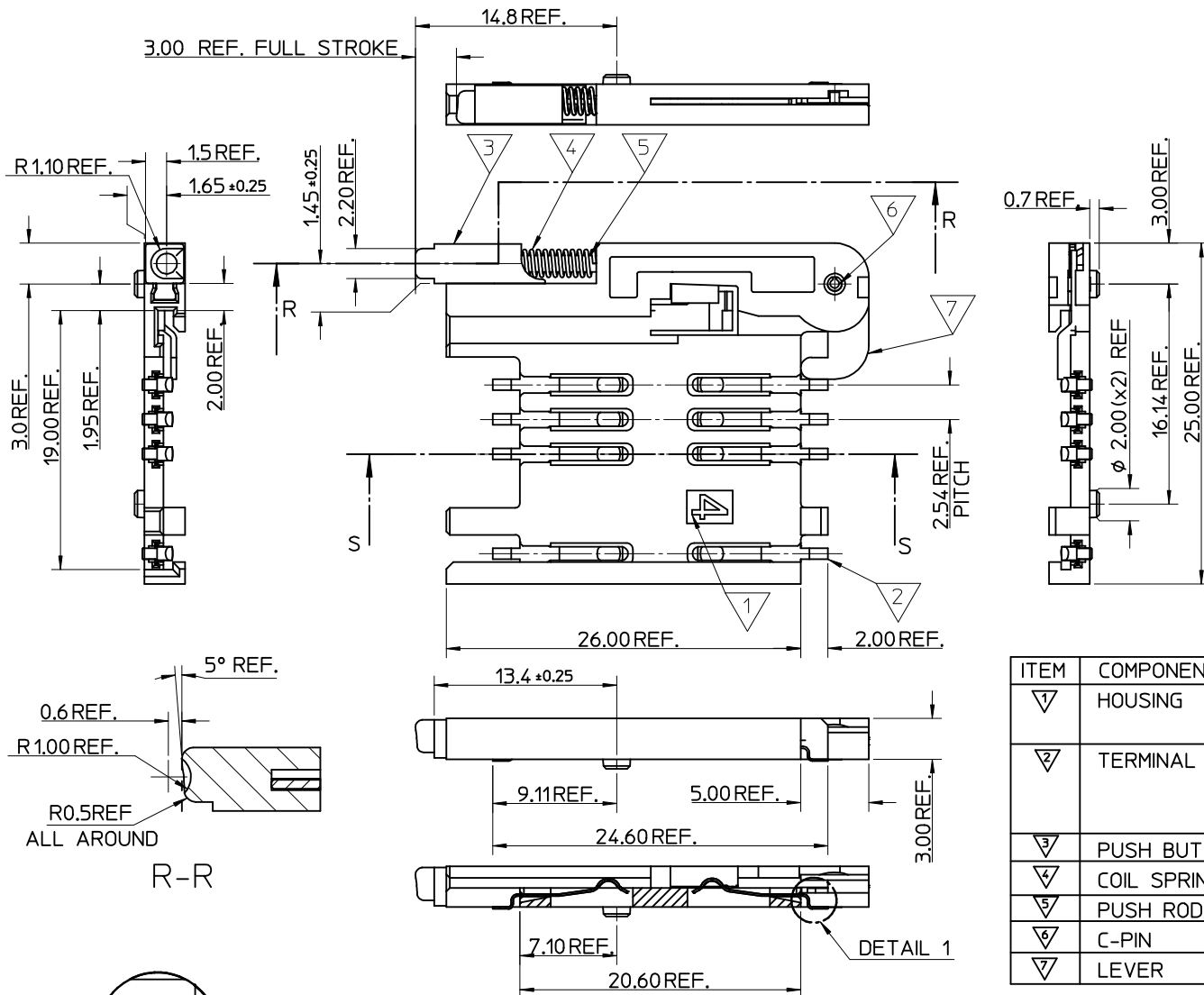


- NOTES:
1. SEE PRODUCT SPECIFICATION PS-99020-0071.
 2. PACKAGING: TAPE & REEL, FOR DETAIL SEE SDA-91228-9001, SHEET 2.
 3. SEE SHEETS 1 & 2 FOR ALL UNSPECIFIED NOTES AND DIMENSIONS.

ITEM	COMPONENT	QTY	MATERIAL
▽	HOUSING	1	LIQUID CRYSTAL POLYMER (LCP) 30% GLASS FILL,UL94 V-0,COLOUR: BLACK
▽	TERMINAL	8	0.15 PHOSPHOR BRONZE. 0.14m MIN Au OVER Pd/Ni IN CONTACT AREA 2.54m MIN Sn ON SMT TAILS
▽	PUSH BUTTON	1	GF POLYAMIDE 6T/66, BLACK.
▽	COIL SPRING	1	0.25 REF THK STAINLESS STEEL
▽	PUSH ROD	1	0.4 REF THK STAINLESS STEEL
▽	C-PIN	1	STEEL
▽	LEVER	1	0.4 REF THK STAINLESS STEEL

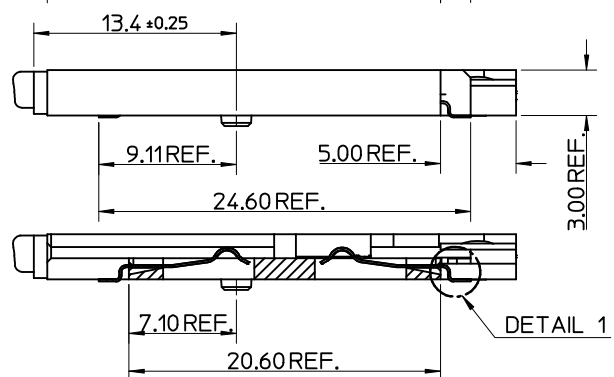
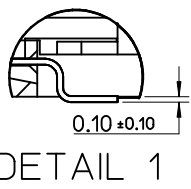
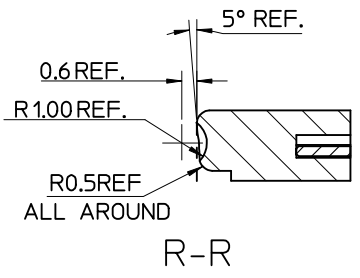


SEE SHEET 1 EC NO: E2009-0597 DRWN:FDUGGAN 2009/07/29 CHKD: 2009/07/30 APPR:EFOLAN 2009/07/30	QUALITY SYMBOLS	GENERAL TOLERANCES (UNLESS SPECIFIED)	DIMENSION STYLE	SCALE	DESIGN UNITS	THIRD ANGLE PROJECTION
	▽=0	mm INCH	MM ONLY	5:1	METRIC	
	∇=0	4 PLACES ± --- ± ---	DRAWN BY DATE			TITLE
		3 PLACES ± --- ± ---	FORREY 2006/11/27			SIM CONNECTOR ASSY
	2 PLACES ± 0.05 ± ---	CHECKED BY DATE				
	1 PLACE ± 0.1 ± ---	FDUGGAN 2006/11/27				
	ANGULAR ± 2 °	APPROVED BY DATE				
		EFOLAN 2006/11/27				
		MATERIAL NO.				
		912283006				
		DRAFT WHERE APPLICABLE MUST REMAIN WITHIN DIMENSIONS				
		SIZE				
		A3				
		THIS DRAWING CONTAINS INFORMATION THAT IS PROPRIETARY TO MOLEX INCORPORATED AND SHOULD NOT BE USED WITHOUT WRITTEN PERMISSION				



- NOTES:
1. SEE PRODUCT SPECIFICATION PS-99020-0071.
 2. PACKAGING: TAPE & REEL, FOR DETAIL SEE SDA-91228-9001, SHEET 1.
 3. SEE SHEET 1 FOR ALL UNSPECIFIED NOTES AND DIMENSIONS.

ITEM	COMPONENT	QTY	MATERIAL
▽	HOUSING	1	LIQUID CRYSTAL POLYMER (LCP) 30% GLASS FILL, UL94 V-0, COLOUR: BLACK
▽	TERMINAL	8	0.15 PHOSPHOR BRONZE. 0.14mm MIN Au OVER Pd/Ni IN CONTACT AREA 2.54mm MIN Sn ON SMT TAILS
▽	PUSH BUTTON	1	GF POLYAMIDE 6T/66, BLUE
▽	COIL SPRING	1	0.25 REF THK STAINLESS STEEL
▽	PUSH ROD	1	0.4 REF THK STAINLESS STEEL
▽	C-PIN	1	STEEL
▽	LEVER	1	0.4 REF THK STAINLESS STEEL



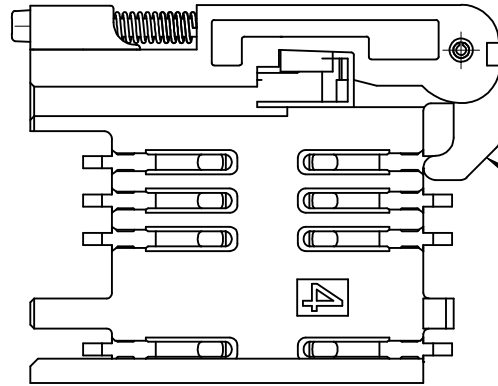
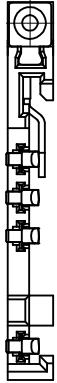
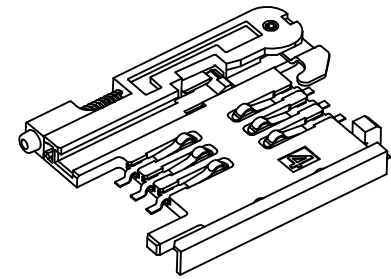
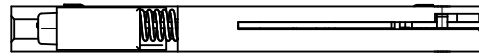
SEE SHEET 1	DESCRIPTION
EC NO: E2009-0597	2009/07/29
DRWN: FDUGGAN	2009/07/29
CHKD:	
APPR: EFOLAN	2009/07/30
REV	

QUALITY SYMBOLS	DESCRIPTION
▽=0	
◻=0	

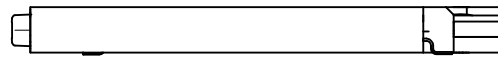
GENERAL TOLERANCES (UNLESS SPECIFIED)	DIMENSION STYLE	SCALE	DESIGN UNITS	THIRD ANGLE PROJECTION
	MM ONLY	5:1	METRIC	
4 PLACES ± ---	DRAWN BY	DATE	TITLE	
3 PLACES ± ---	RFORREY	2006/11/27	SIM CONNECTOR ASSY	
2 PLACES ± 0.05	CHECKED BY	DATE		
1 PLACE ± 0.1	FDUGGAN	2006/11/27		
	APPROVED BY	DATE		
	EFOLAN	2006/11/27		
	ANGULAR ± 2 °			
	MATERIAL NO.			
	912283007			
	DRAFT WHERE APPLICABLE MUST REMAIN WITHIN DIMENSIONS			

MATERIAL NO.	DOCUMENT NO.	SHEET NO.
912283007	SD-91228-001	5 OF 6

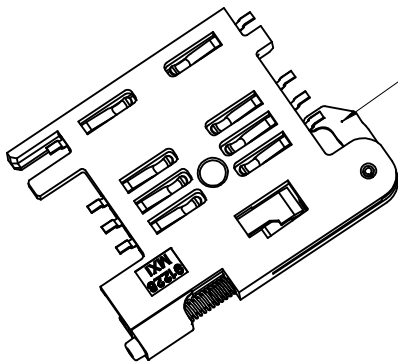
MATERIAL NO.		DOCUMENT NO.	SHEET NO.
912283007		SD-91228-001	5 OF 6
THIS DRAWING CONTAINS INFORMATION THAT IS PROPRIETARY TO MOLEX INCORPORATED AND SHOULD NOT BE USED WITHOUT WRITTEN PERMISSION			



NOTE 4



NOTE 6
BLACK COLOUR
THIS FACE

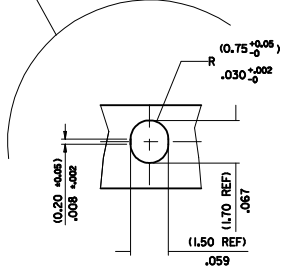
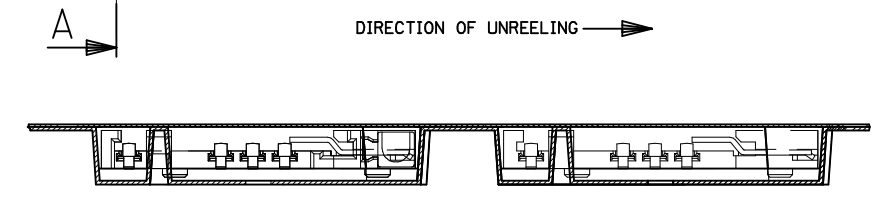
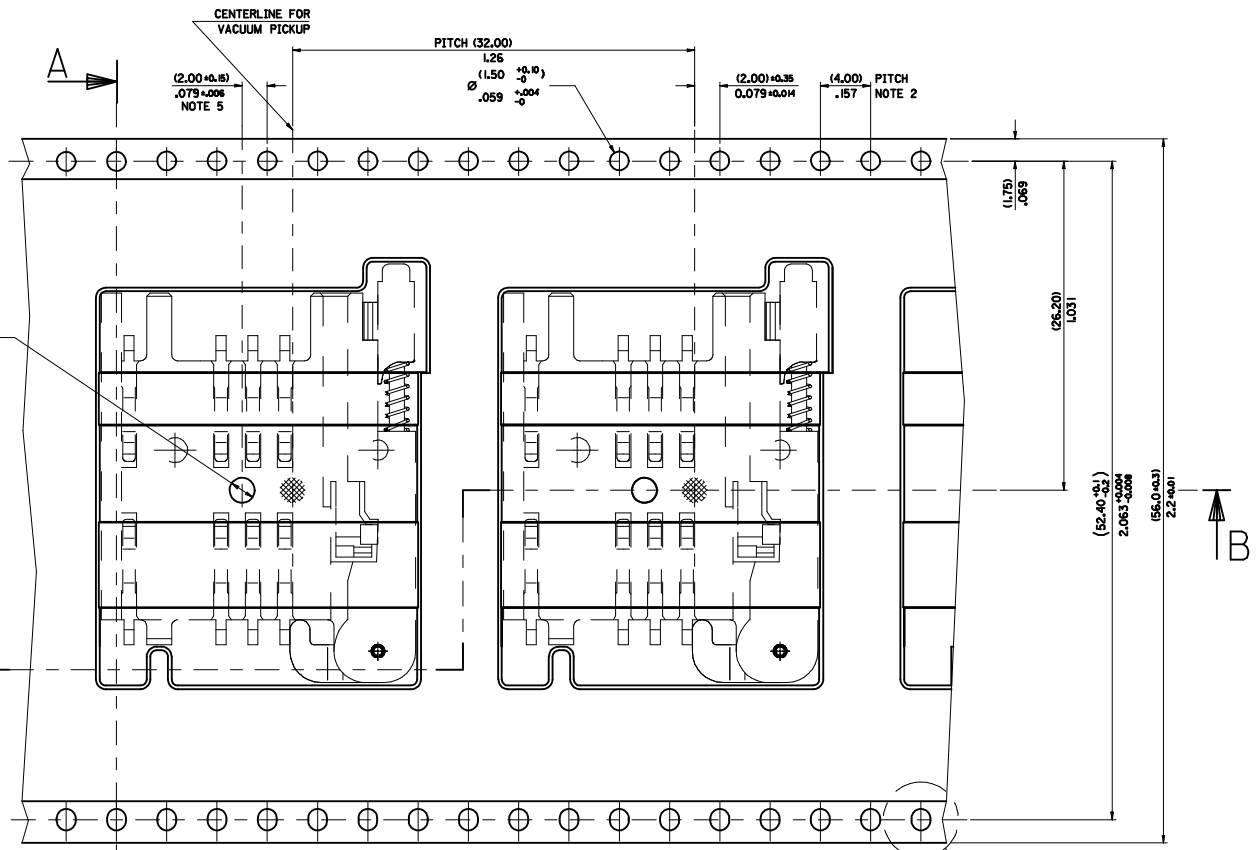
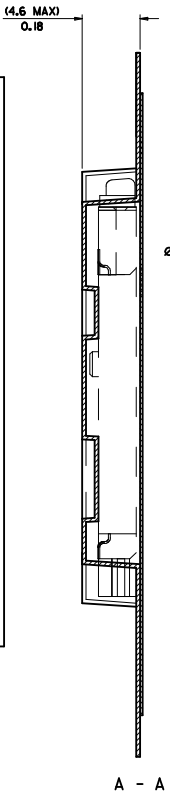
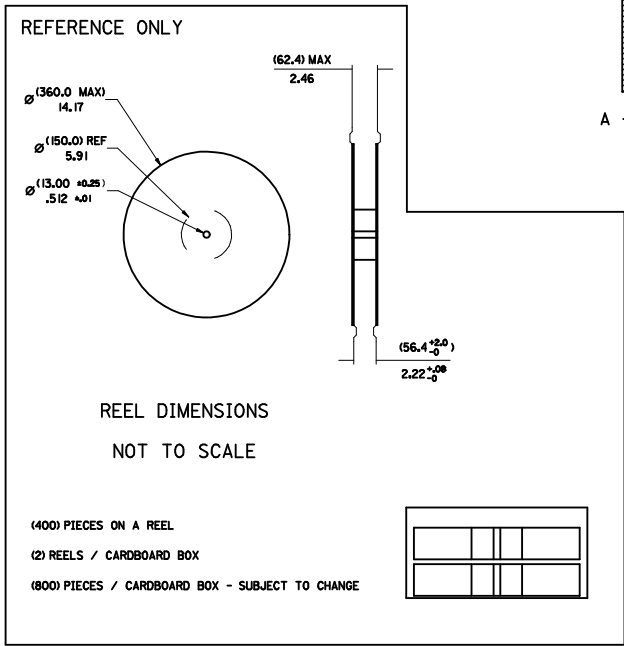
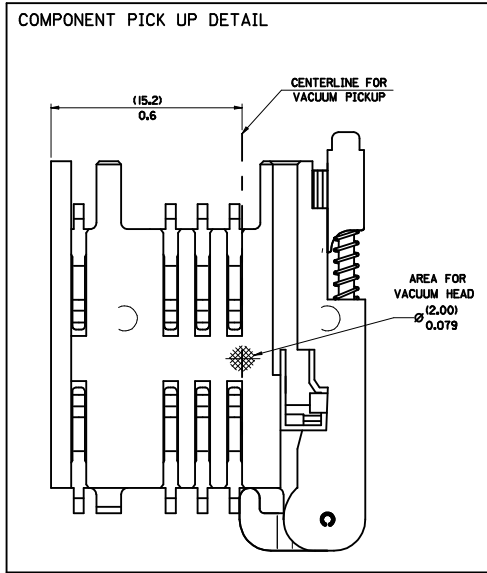


NOTES:

1. SEE PRODUCT SPECIFICATION PS-91228-016
2. PACKAGING: TAPE & REEL, FOR DETAIL SEE SDA-91228-9001, SHEET 1
3. FOR ALL UNSPECIFIED DIMENSIONS AND NOTES SEE SHEET 1.
4. 5mm EJECTOR LEVER
5. CARD HOLDER EJECTION DISTANCE: 5.0±0.3mm
6. LEVER FACE TO BE COLOURED BLACK WITH ALCOHOL BASED INK.

SEE SHEET 1 EC NO: E2009-0597 DRWN:FDUGGAN 2009/07/29 CHKD: 2009/07/30 APPR:EFOLAN 2009/07/30	DESCRIPTION REV	QUALITY SYMBOLS	GENERAL TOLERANCES (UNLESS SPECIFIED)		DIMENSION STYLE MM ONLY		SCALE 3:1	DESIGN UNITS METRIC	THIRD ANGLE PROJECTION	
		▽=0 ◻=0	mm	INCH	DRAWN BY RFORREY	DATE 2006/11/27	TITLE SIM CONNECTOR ASSY			
			4 PLACES ± --- ± ---	3 PLACES ± --- ± ---	CHECKED BY FDUGGAN	DATE 2006/11/27	MOLEX INCORPORATED MATERIAL NO. 912283016 DOCUMENT NO. SD-91228-001 SHEET NO. 6 OF 6			
			2 PLACES ± 0.05 ± ---	1 PLACE ± 0.1 ± ---	APPROVED BY EFOLAN	DATE 2006/11/27				
	ANGULAR ± 2 °		DRAFT WHERE APPLICABLE MUST REMAIN WITHIN DIMENSIONS		SIZE A3	THIS DRAWING CONTAINS INFORMATION THAT IS PROPRIETARY TO MOLEX INCORPORATED AND SHOULD NOT BE USED WITHOUT WRITTEN PERMISSION				

PART NO	DESCRIPTION
91228-0001 & 91228-3001	SIM CONNECTOR WITHOUT PEGS
91228-0002 & 91228-3002	SIM CONNECTOR WITH PEGS
91228-0012 & 91228-3012	SIM CONNECTOR WITH PEGS
91228-0007 & 91228-3007	SIM CONNECTOR WITH PEGS



- NOTES:**
- 1) MATERIAL :
CARRIER TAPE : VOLUME CONDUCTIVE POLYSTYRENE, 0.40 REF THICK, BLACK
COVER TAPE : COLD SEAL POLYESTER, 0.08 REF THICK TRANSPARENT
 - 2) PITCH TOLERANCE OVER ANY 10 PITCHES ± 0.2 MM
 - 3) PEEL FORCE OF THE COVER TAPE IS 0.1 N TO 1.0 N AT A MAXIMUM REEL SPEED OF 300 MM/MIN ± 10%
 - 4) PACKAGING SPEC, PK-91228-002
 - 5) REFERENCE TO IEC 286-3 EXCEPT WHERE NOTED

MOD REV. LEVELS IEC NO: E2009-0200 DRAWN BY: G. DORNING-CARTON CHKD: APPR: EFOLAN DATE: 2009/01/14 DATE: 2009/01/15	QUALITY SYMBOLS ▽=0 ▽=0	GENERAL TOLERANCES (UNLESS SPECIFIED)		DIMENSION STYLE MM/IN	SCALE 1:1	DESIGN UNITS METRIC	THIRD ANGLE PROJECTION
		4 PLACES ± --- ± --- 3 PLACES ± --- ± --- 2 PLACES ± 0.10 ± --- 1 PLACE ± 0.20 ± --- ANGULAR ± 2 °	DRAWN BY: DMAHER CHECKED BY: FDUGGAN APPROVED BY: EFOLAN DATE: 2006/12/07 DATE: 2006/12/07 DATE: 2006/12/07	TITLE BLISTER PACKAGING SIM CARD PCB HOUSING	MATERIAL NO. SDA-91228-9001	DOCUMENT NO.	SHEET NO. 1 OF 4

THIS DRAWING CONTAINS INFORMATION THAT IS PROPRIETARY TO MOLEX INCORPORATED AND SHOULD NOT BE USED WITHOUT WRITTEN PERMISSION