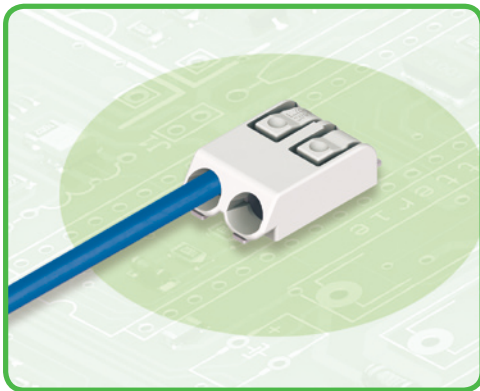


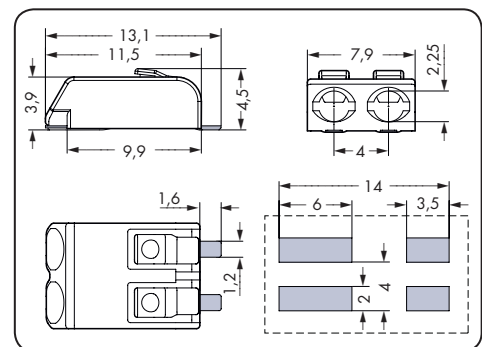
SMD-Terminal Blocks with Push-Buttons



- SMD terminal blocks with CAGE CLAMP®S connection and push-buttons
- A total height of only 4.5mm helps reduce shadowing in LED applications
- Available in tape-and-reel packaging for automatic assembly
- Group arrangement without loss of poles, any combination of poles via 2- and 3-pole terminals
- **Available January 2011**

Technical Data

Pin Spacing	4 mm 0.157 in		
Rating per	IEC/EN 60664-1		
Overvoltage category	III	III	II
Pollution degree	3	2	2
Rated voltage	63 V	160 V	320 V
Rated surge voltage	2.5 kV	2.5 kV	2.5 kV
Nominal current	5 A	5 A	5 A
Approvals per	UL/CSA		
Use group UL 1059	B	C	D
Rated voltage	-	-	-
Nominal current UL	-	-	-
Nominal current CSA	-	-	-



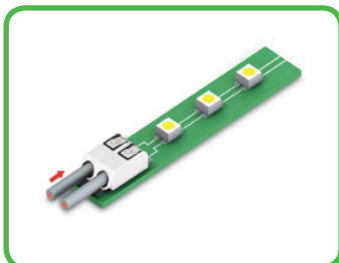
Conductor and Solder Pin Data

Connection technology	CAGE CLAMP®S
Wire size: solid and fine-stranded	0,34 - 0,75 mm ²
AWG	22 - 18
Stripped length	6 - 7 mm / 0.24 - 0.28 in
Conductor entry angle	0° to PCB

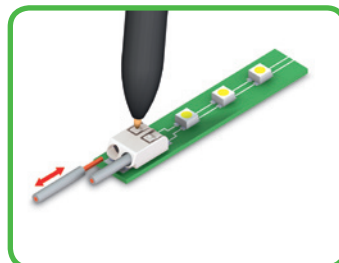
Material Data

Material group	I
Insulating material	PPA - GF
Temperature stability	-35°C to +105°C
Flammability rating per UL 94	V0
Contact plating	tin-plated

Subject to technical changes.



Push-in termination of solid conductors.



Termination and removal of fine-stranded conductors via push-button.