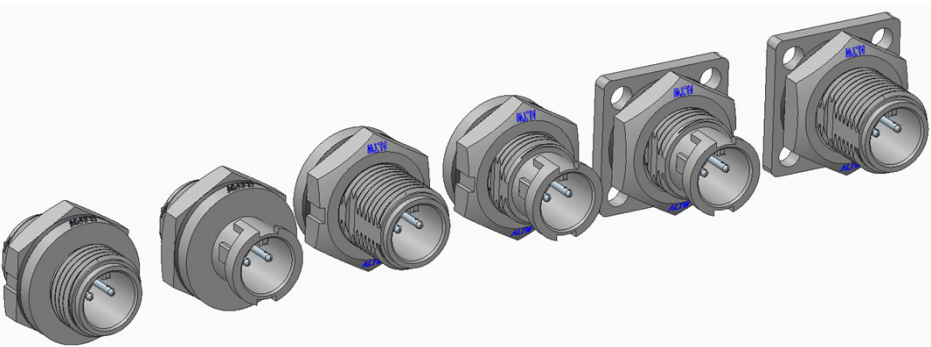


# Appendix A | Circular Series Upgraded Note\_Oct ,2015

Product	Size	Current	Assemble Style
Circular Series	A/B/C/D	5A/10A/20A	Panel Solder/ Cable

## Panel Type



- Waterproof Rating : IP67 ( *IP66 no longer available* )
- Mating Type upgraded : Screw & Lock

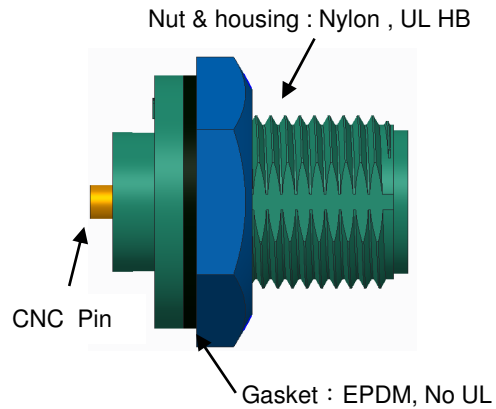
## Cable Molding Type



- Waterproof Rating : IP67 ( *IP66 no longer available* )
- Mating Type upgraded: Screw & Lock

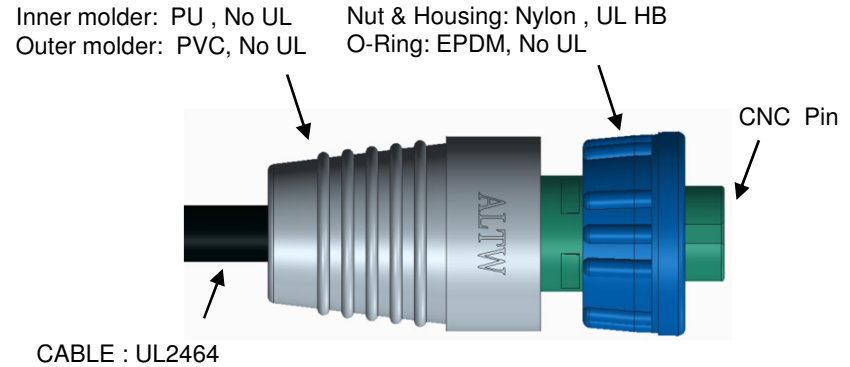
# Appendix A | Circular Series Upgraded Note\_Oct ,2015

## Panel Type



## Old Product

## Molding Type



## New Product

