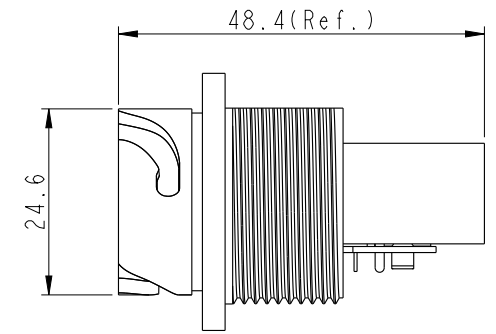
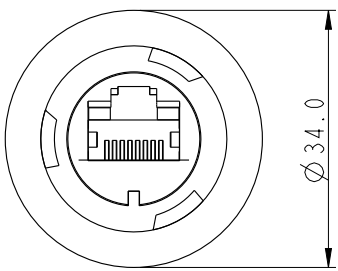
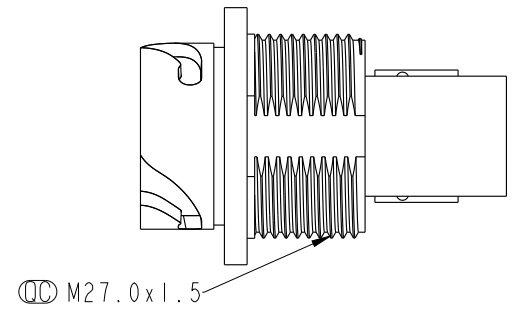
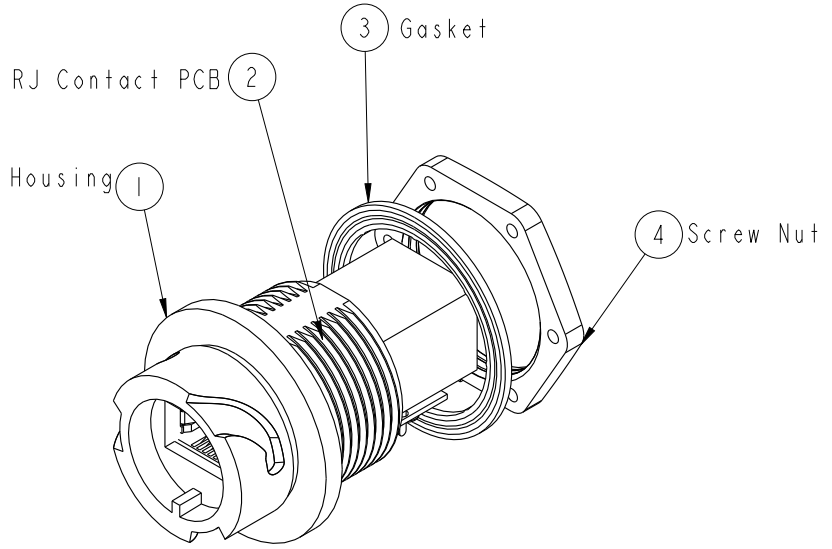
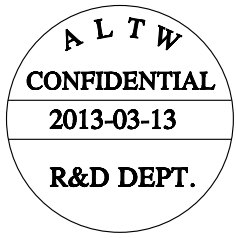
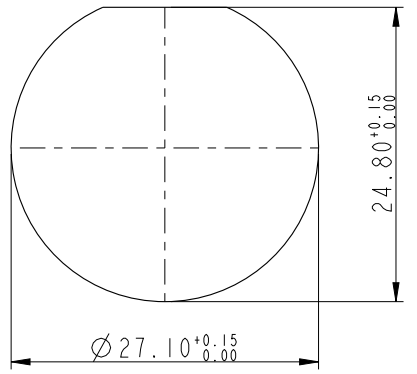


| | | | | |
|------|---------|------|------|-------------|
| REV. | ECN NO. | DATE | SIGN | DESCRIPTION |
| | | | | |



Recommended PANEL KNOCKOUT



Note:

- * (M) Important Dimension
- * Waterproof Rate : IP67 (Unmating Waterproof)
- * Housing : Nylon+GF, BLACK
- * RJ45 Jack : Cat 5e, Shield
- * Gasket : Silicone, UL 94V-0, Gray.
- * Screw Nut : Nylon+GF, BLACK
- * Contact: Phosphor Bronze, Gold Flash Over Nickel
- * For Panel Thickness Max: 3.0mm
- * Screw torsion value range: 8~15kgf-cm
- * RoHS Compliant. -20°C to 105°C

| | | |
|------------|----------|--|
| UNIT : mm | | |
| TOLERANCE | .X ±0.25 | |
| .XX ±0.1 | | |
| .XXX ±0.05 | | |
| ANGLES | ±1° | |

| | | | |
|--|----------------|--------------------|---------|
| TITLE RJ45 ODVA, PANEL, REAR LOCK UNMATED WATERPROOF | | | |
| SCALE 1:1 | SIZE A4 | SHEET 1 | OF 1 |
| REV. A | WC-REV. A.1 | ☉: Inspection item | |

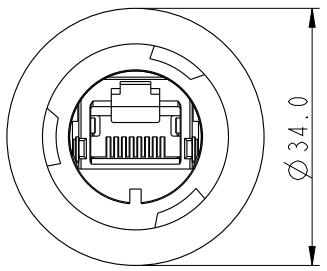
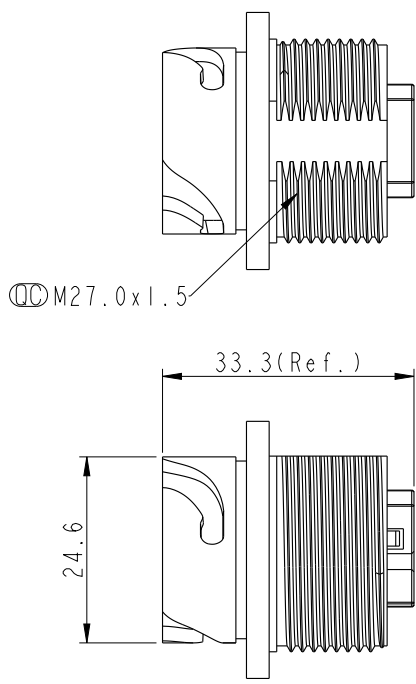
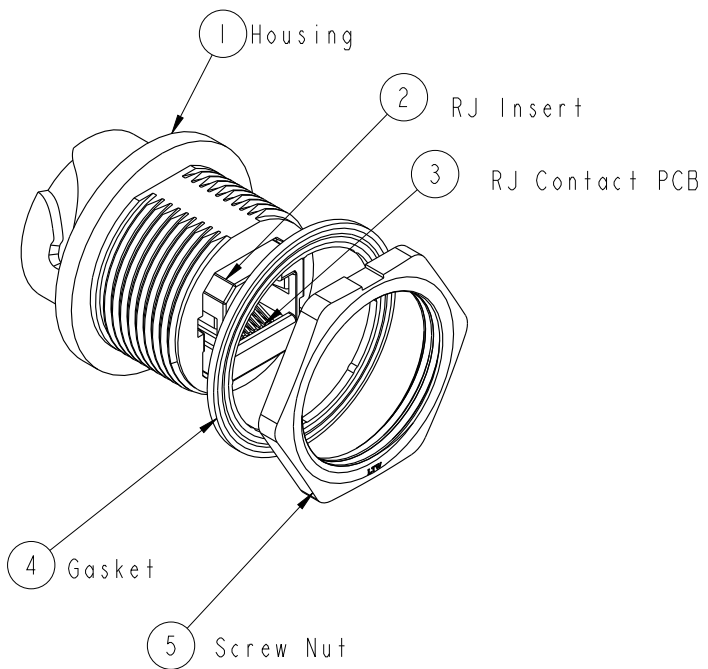
Amphenol LTW
安費諾亮泰企業股份有限公司

| | | |
|--------------------------------|---------------------------|--------------------|
| ITEM NO. ROP-5SRFFH-TCU7001 | DRAWN BY Laurence_zang | DATE 2013-03-13 |
| DWG NO. ROP-5SRFFH-TCU7001 | CHECKED BY Raison | DATE 2013-03-13 |
| CUSTOMER ALTW | APPROVED BY Victor | DATE 2013-03-13 |

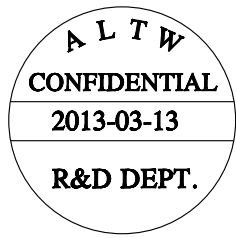
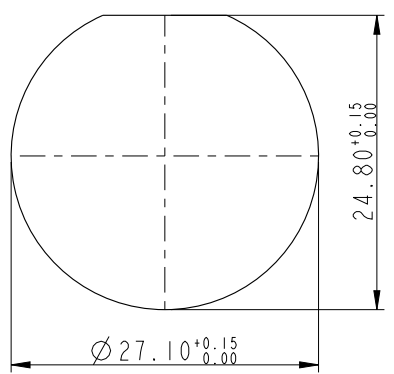
THIS DOCUMENT IS SUBJECT TO CHANGE WITHOUT NOTICE. IT IS CONFIDENTIAL AND A PROPERTY OF AMPHENOL LTW. DISCLOSURE TO THIRD PARTY HAS TO BE AUTHORIZED BY AMPHENOL LTW.

F
E
D
C
B
A

| | | | | |
|------|---------|------|------|-------------|
| REV. | ECN NO. | DATE | SIGN | DESCRIPTION |
| | | | | |



Recommended PANEL KNOCKOUT



Note:

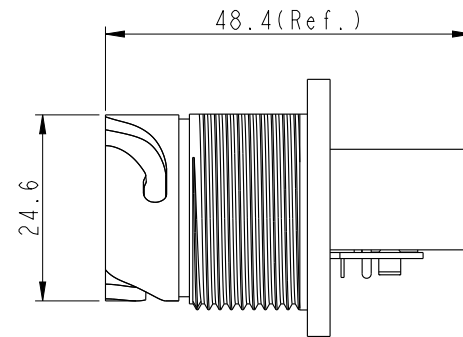
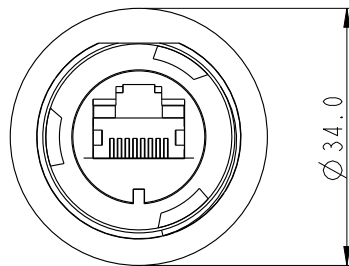
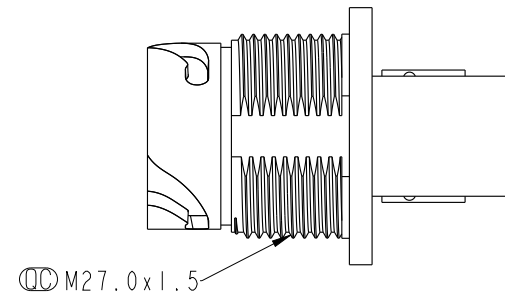
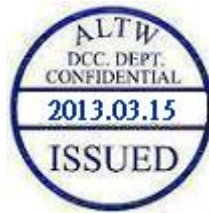
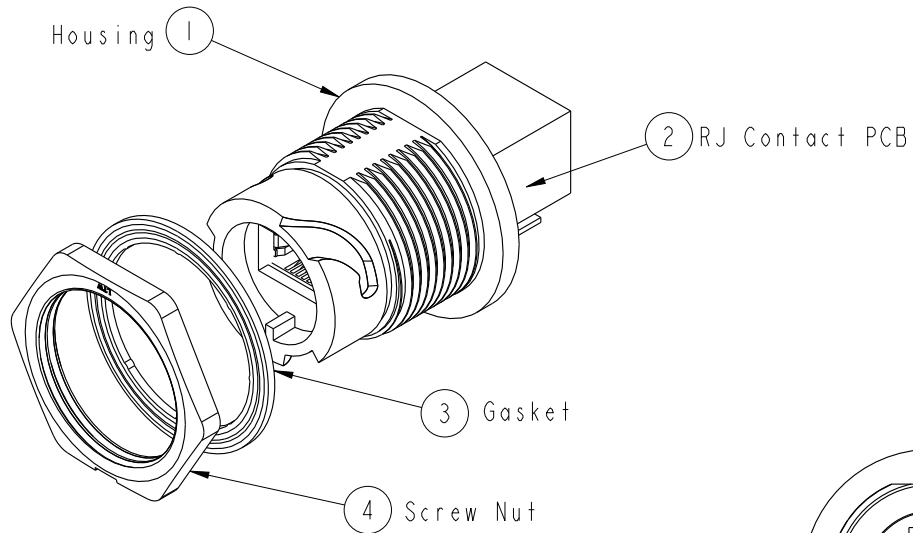
- * (M) Important Dimension
- * Waterproof Rate : IP67 (Mating)
- * Housing : Nylon+GF, BLACK
- * RJ45 Jack : Cat 5e, Shield
- * Gasket : Silicone, UL 94V-0, Gray.
- * Screw Nut : Nylon+GF, BLACK
- * Contact: Phosphor Bronze, Gold Flash Over Nickel
- * For Panel Thickness Max: 3.0mm
- * Screw torsion value range: 8~15kgf-cm
- * RoHS Compliant. -20°C to 105°C

| | | | | | | | | |
|--|---------------------------------------|----------------|--------------------------------------|------------------------------|-------------------------------|---------------------------|-----------------------|--------------------|
| UNIT : mm TOLERANCE .X ±0.25 .XX ±0.1 .XXX ±0.05 ANGLES ±1° | TITLE RJ45 ODVA, PANEL, FRONT LOCK | | Amphenol LTW 安費諾亮泰企業股份有限公司 | | ITEM NO ROP-5SRFFH-TCM7001 | DRAWN BY Laurence_zang | DATE 2013-03-13 | |
| | SCALE 1:1 | SIZE A4 | SHEET 1 OF 1 | DWG NO ROP-5SRFFH-TCM7001 | CHECKED BY Raison | DATE 2013-03-13 | APPROVED BY Victor | DATE 2013-03-13 |
| | REV. A | WC-REV. A.1 | (M) : Inspection item | CUSTOMER ALTW | APPROVED BY Victor | DATE 2013-03-13 | DATE 2013-03-13 | DATE 2013-03-13 |

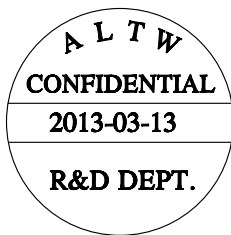
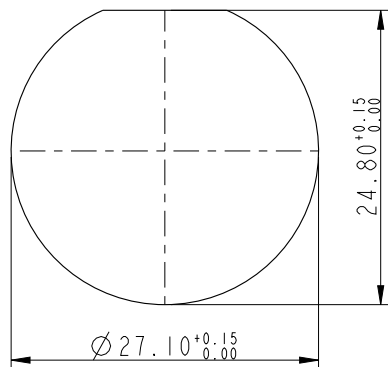
THIS DOCUMENT IS SUBJECT TO CHANGE WITHOUT NOTICE. IT IS CONFIDENTIAL AND A PROPERTY OF Amphenol LTW. DISCLOSURE TO THIRD PARTY HAS TO BE AUTHORIZED BY Amphenol LTW.

| | | | | |
|------|---------|------|------|-------------|
| REV. | ECN NO. | DATE | SIGN | DESCRIPTION |
| | | | | |

THIS DOCUMENT IS SUBJECT TO CHANGE WITHOUT NOTICE. IT IS CONFIDENTIAL AND A PROPERTY OF AMPHENOL LTW. DISCLOSURE TO THIRD PARTY HAS TO BE AUTHORIZED BY AMPHENOL LTW.



Recommended PANEL KNOCKOUT



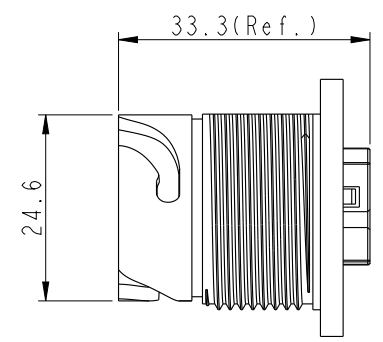
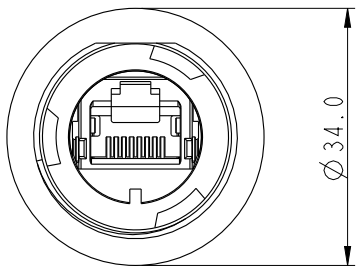
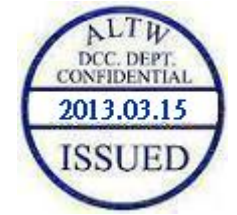
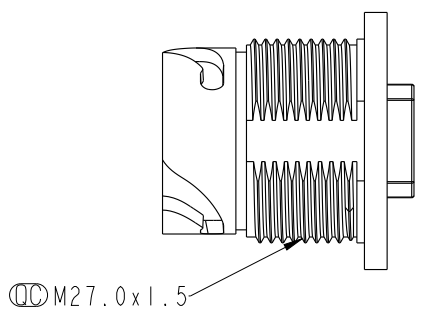
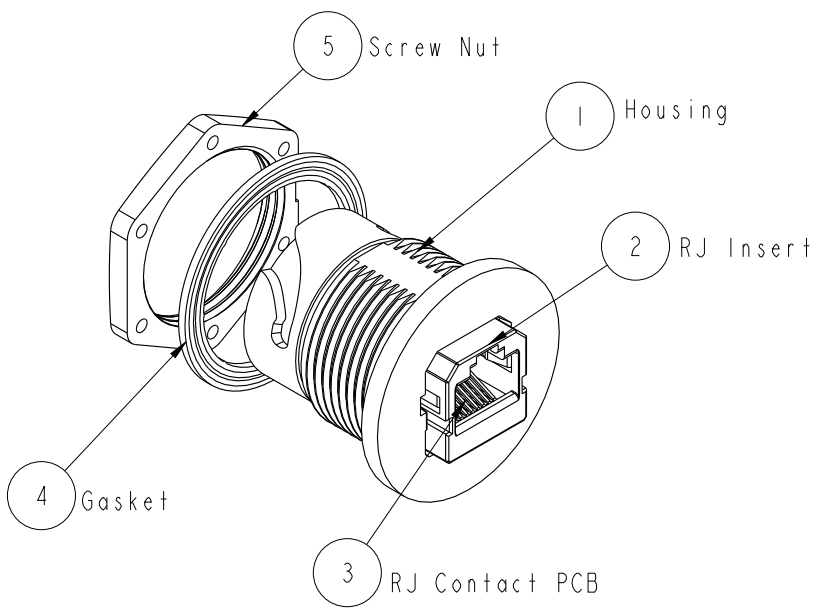
Note:

- * (M) Important Dimension
- * Waterproof Rate : IP67 (Unmating Waterproof)
- * Housing : Nylon+GF, BLACK
- * RJ45 Jack : Cat 5e, Shield
- * Gasket : Silicone, UL 94V-0, Gray.
- * Screw Nut : Nylon+GF, BLACK
- * Contact: Phosphor Bronze, Gold Flash Over Nickel
- * For Panel Thickness Max: 3.0mm
- * Screw torsion value range: 8~15kgf-cm
- * RoHS Compliant. -20°C to 105°C

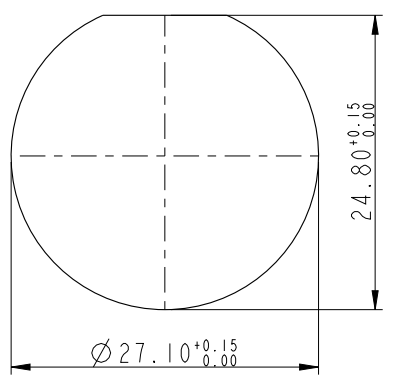
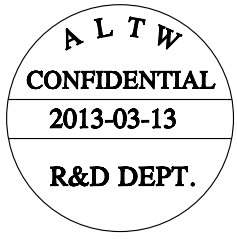
| | | | | | | | | |
|------------|--|---|---------|--------------------|--------------------|---------------|------------|------------|
| UNIT : mm | | TITLE | | ITEM NO. | | DRAWN BY | | DATE |
| | | RJ45 ODVA, PANEL, FRONT LOCK UNMATED WATERPROOF | | ROP-5SPFFH-TCU7001 | | Laurence_zang | | 2013-03-13 |
| TOLERANCE | | SCALE | SIZE | SHEET | DWG NO. | CHECKED BY | DATE | |
| .X ±0.25 | | 1:1 | A4 | 1 OF 1 | ROP-5SPFFH-TCU7001 | Raison | 2013-03-13 | |
| .XX ±0.1 | | REV. | WC-REV. | | CUSTOMER | APPROVED BY | DATE | |
| .XXX ±0.05 | | A | A.1 | | ALTW | Victor | 2013-03-13 | |
| ANGLES ±1° | | (M): Inspection item | | | | | | |

Amphenol LTW
安費諾亮泰企業股份有限公司

| | | | | |
|------|---------|------|------|-------------|
| REV. | ECN NO. | DATE | SIGN | DESCRIPTION |
| | | | | |



- Note:
- * M Important Dimension
 - * Waterproof Rate : IP67 (Mating)
 - * Housing : Nylon+GF, BLACK
 - * RJ45 Jack : Cat 5e, Shield
 - * Gasket : Silicone, UL 94V-0, Gray.
 - * Screw Nut : Nylon+GF, BLACK
 - * Contact: Phosphor Bronze, Gold Flash Over Nickel
 - * For Panel Thickness Max: 3.0mm
 - * Screw torsion value range: 8~15kgf-cm
 - * RoHS Compliant. -20°C to 105°C



| | | |
|------------|----------|--|
| UNIT : mm | | |
| TOLERANCE | .X ±0.25 | |
| .XX ±0.1 | | |
| .XXX ±0.05 | | |
| ANGLES | ±1° | |

| | | | |
|---------------------------------------|----------------|------------------------------|--|
| TITLE RJ45 ODVA, PANEL, FRONT LOCK | | | |
| SCALE 1:1 | SIZE A4 | SHEET 1 OF 1 | |
| REV. A | WC-REV. A.1 | M : Inspection item | |

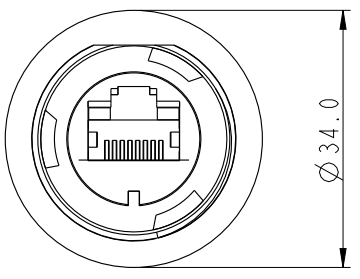
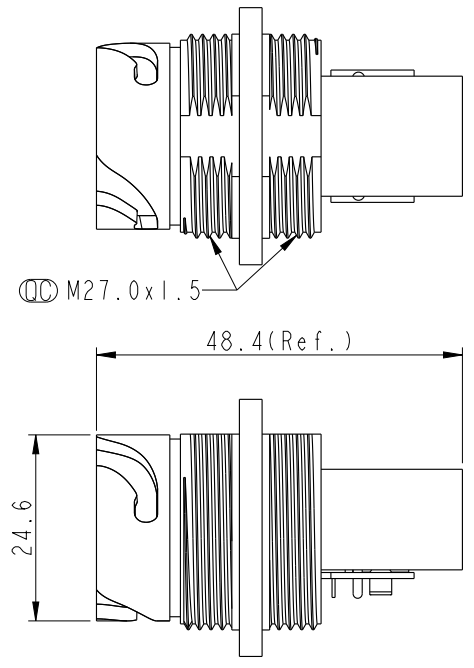
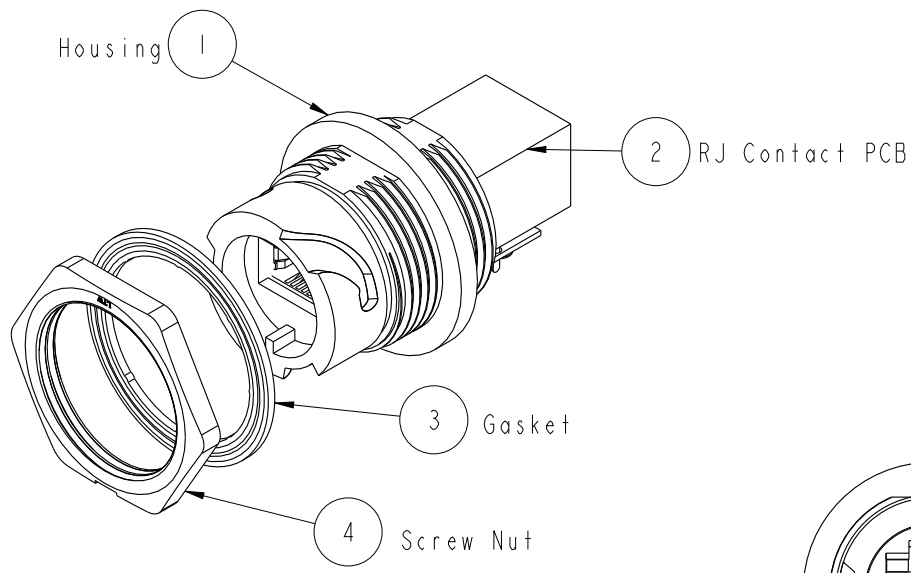
Amphenol LTW
安費諾亮泰企業股份有限公司

| | | |
|--------------------------------|---------------------------|--------------------|
| ITEM NO. ROP-5SPFFH-TCM7001 | DRAWN BY Laurence_zang | DATE 2013-03-13 |
| DWG NO. ROP-5SPFFH-TCM7001 | CHECKED BY Raison | DATE 2013-03-13 |
| CUSTOMER ALTW | APPROVED BY Victor | DATE 2013-03-13 |

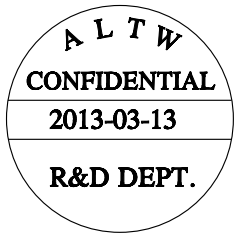
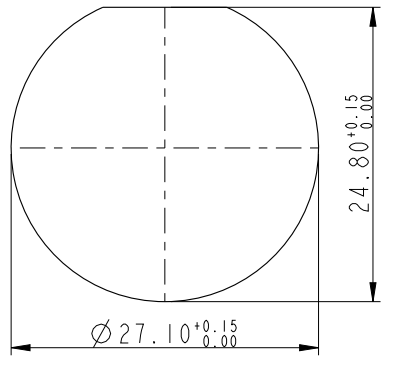
THIS DOCUMENT IS SUBJECT TO CHANGE WITHOUT NOTICE. IT IS CONFIDENTIAL AND A PROPERTY OF Amphenol LTW. DISCLOSURE TO THIRD PARTY HAS TO BE AUTHORIZED BY Amphenol LTW.

| | | | | |
|------|---------|------|------|-------------|
| REV. | ECN NO. | DATE | SIGN | DESCRIPTION |
| | | | | |

THIS DOCUMENT IS SUBJECT TO CHANGE WITHOUT NOTICE. IT IS CONFIDENTIAL AND A PROPERTY OF AMPHENOL LTW. DISCLOSURE TO THIRD PARTY HAS TO BE AUTHORIZED BY AMPHENOL LTW.



Recommended PANEL KNOCKOUT



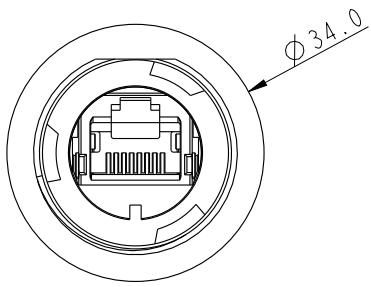
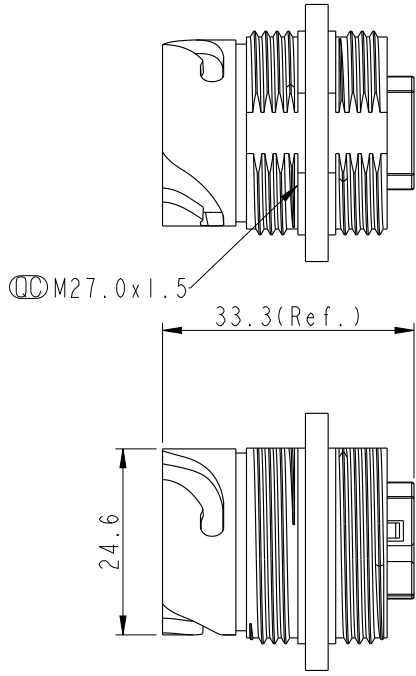
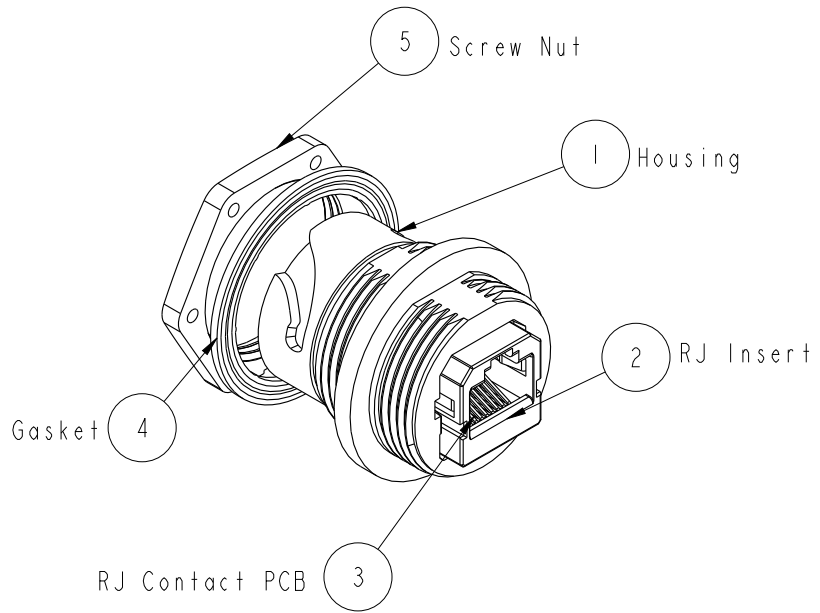
Note:

- * \varnothing Important Dimension
- * Waterproof Rate : IP67 (Unmating Waterproof)
- * Housing : Nylon+GF, BLACK
- * RJ45 Jack : Cat 5e, Shield
- * Gasket : Silicone, UL 94V-0, Gray.
- * Screw Nut : Nylon+GF, BLACK
- * Contact: Phosphor Bronze, Gold Flash Over Nickel
- * For Panel Thickness Max: 3.0mm
- * Screw torsion value range: 8~15kgf-cm
- * RoHS Compliant. -20°C to 105°C

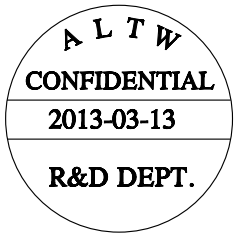
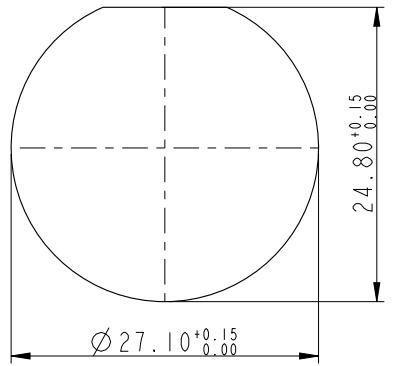
| | | | | | | |
|------------|--|--|---------|--------------------|---------------|------------|
| UNIT : mm | | TITLE | | ITEM NO. | DRAWN BY | DATE |
| | | RJ45 ODVA, PANEL, DOUBLE LOCK Unmating Waterproof | | ROP-5SDFFH-TCU7001 | Laurence_Zang | 2013-03-13 |
| TOLERANCE | | SCALE | SIZE | DWG NO. | CHECKED BY | DATE |
| .X ±0.25 | | 1:1 | A4 | ROP-5SDFFH-TCU7001 | Raison | 2013-03-03 |
| .XX ±0.1 | | REV. | WC-REV. | CUSTOMER | APPROVED BY | DATE |
| .XXX ±0.05 | | A | A.3 | ALTW | Victor | 2013-03-03 |
| ANGLES ±1° | | : Inspection item | | | | |

Amphenol LTW
安費諾亮泰企業股份有限公司

| | | | | |
|------|---------|------|------|-------------|
| REV. | ECN NO. | DATE | SIGN | DESCRIPTION |
| | | | | |



Recommended Panel Knockout



Note:

- * \varnothing Important Dimension
- * Waterproof Rate : IP67 (Mating)
- * Housing : Nylon+GF, BLACK
- * RJ45 Jack : Cat 5e, Shield
- * Gasket : Silicone, UL 94V-0, Gray.
- * Screw Nut : Nylon+GF, BLACK
- * Contact: Phosphor Bronze, Gold Flash Over Nickel
- * For Panel Thickness Max: 3.0mm
- * Screw torsion value range: 8~15kgf-cm
- * RoHS Compliant. -20°C to 105°C

| | | | | | | | |
|------------|--|-------------------------------|---------|--------------------------------------|--------------------|---------------|------------|
| UNIT : mm | | TITLE | | Amphenol LTW 安費諾亮泰企業股份有限公司 | ITEM NO | DRAWN BY | DATE |
| | | RJ45 ODVA, PANEL, DOUBLE LOCK | | | ROP-5SDFFH-TCM7001 | Laurence_zang | 2013-03-13 |
| TOLERANCE | | SCALE | SIZE | SHEET 1 OF 1 | DWG NO | CHECKED BY | DATE |
| .X ±0.25 | | 1:1 | A4 | | ROP-5SDFFH-TCM7001 | Raison | 2013-03-13 |
| .XX ±0.1 | | REV. | WC-REV. | : Inspection item | CUSTOMER | APPROVED BY | DATE |
| .XXX ±0.05 | | A | A.1 | | ALTW | Victor | 2013-03-13 |
| ANGLES ±1° | | | | | | | |

THIS DOCUMENT IS SUBJECT TO CHANGE WITHOUT NOTICE. IT IS CONFIDENTIAL AND A PROPERTY OF Amphenol LTW. DISCLOSURE TO THIRD PARTY HAS TO BE AUTHORIZED BY Amphenol LTW.