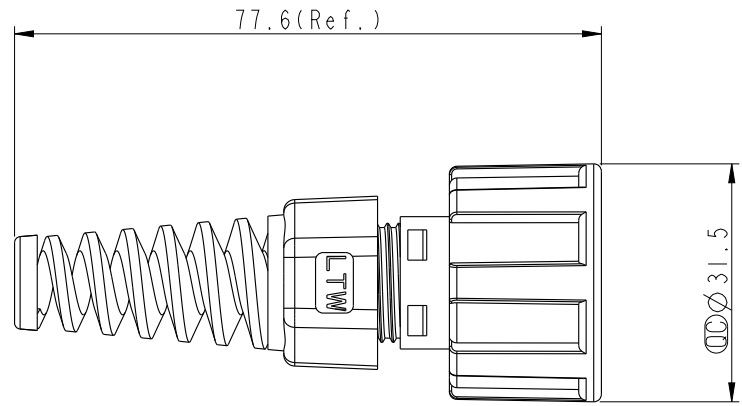
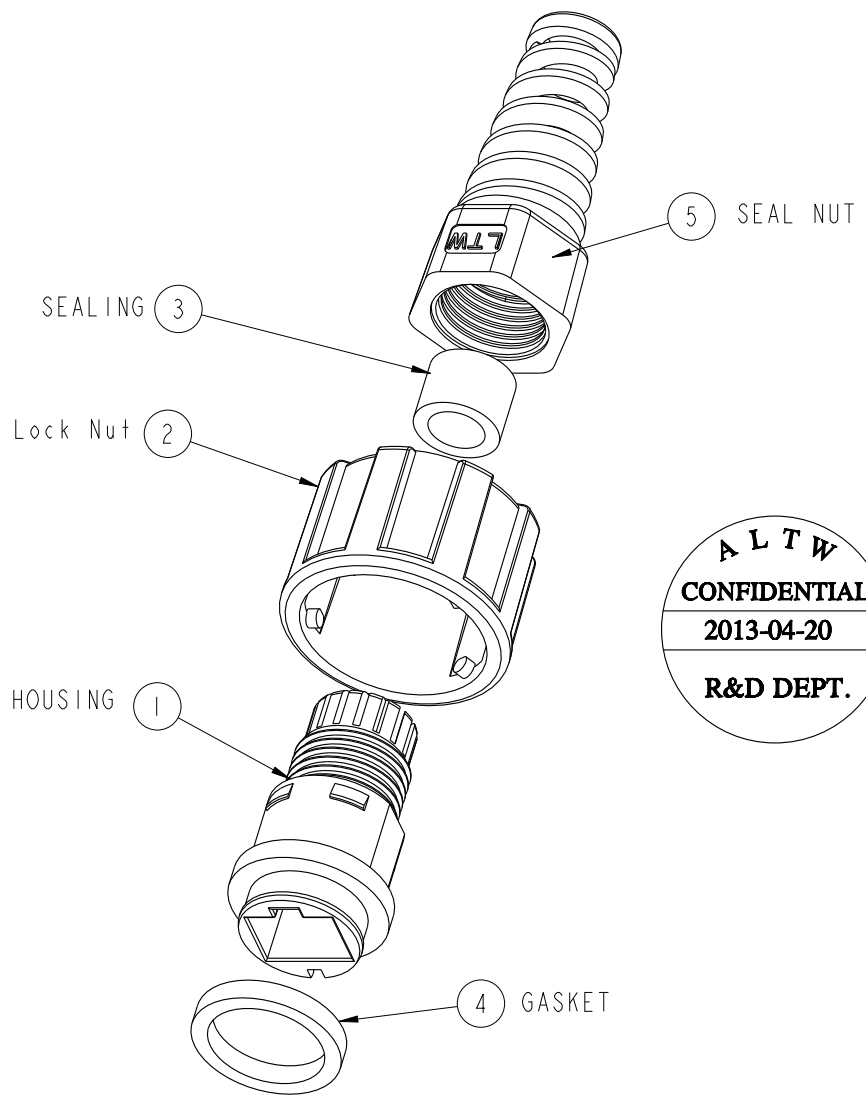


REV.	ECN NO.	DATE	SIGN	DESCRIPTION

THIS DOCUMENT IS SUBJECT TO CHANGE WITHOUT NOTICE. IT IS CONFIDENTIAL AND A PROPERTY OF AMPHENOL LTW. DISCLOSURE TO THIRD PARTY HAS TO BE AUTHORIZED BY AMPHENOL LTW.



ALTW
 CONFIDENTIAL
 2013-04-20
 R&D DEPT.

ALTW
 DCC. DEPT.
 CONFIDENTIAL
 2013.05.07
 ISSUED

- Note:
- * \varnothing Important Dimension
 - * Waterproof Rate : IP67 (Mating)
 - * Housing : Nylon,Black
 - * Gasket : Silicone ,Gray.
 - * Lock Nut : Nylon,Black
 - * Sealing Nut: Nylon,Black
 - * Seals: Silicone,Gray.
 - * Seals for cable OD \varnothing 4.5mm~ \varnothing 6.5mm
 - * One Set Unassembled in One PE Bag.

UNIT : mm			TITLE RJ45 ASSY,ODVA,3T WITH SR
TOLERANCE .X ±0.25 .XX ±0.1 .XXX ±0.05 ANGLES ±1°	SCALE 1:1	SIZE A4	SHEET 1 OF 1
REV. A	WC-REV. A.7	\varnothing : Inspection item	

Amphenol LTW
 安費諾亮泰企業股份有限公司

ITEM NO. ROP-00AMMA-TLM7001	DRAWN BY Laurence_zang	DATE 2013-04-20
DWG NO. ROP-00AMMA-TLM7001	CHECKED BY RAISON	DATE 2013-04-20
CUSTOMER ALTW	APPROVED BY VICTOR	DATE 2013-04-20