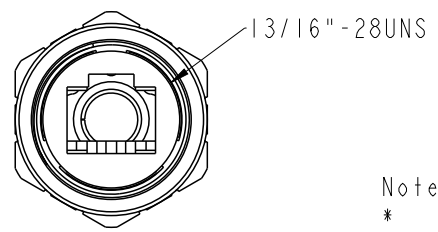
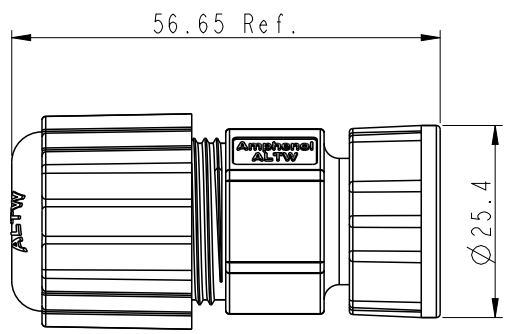
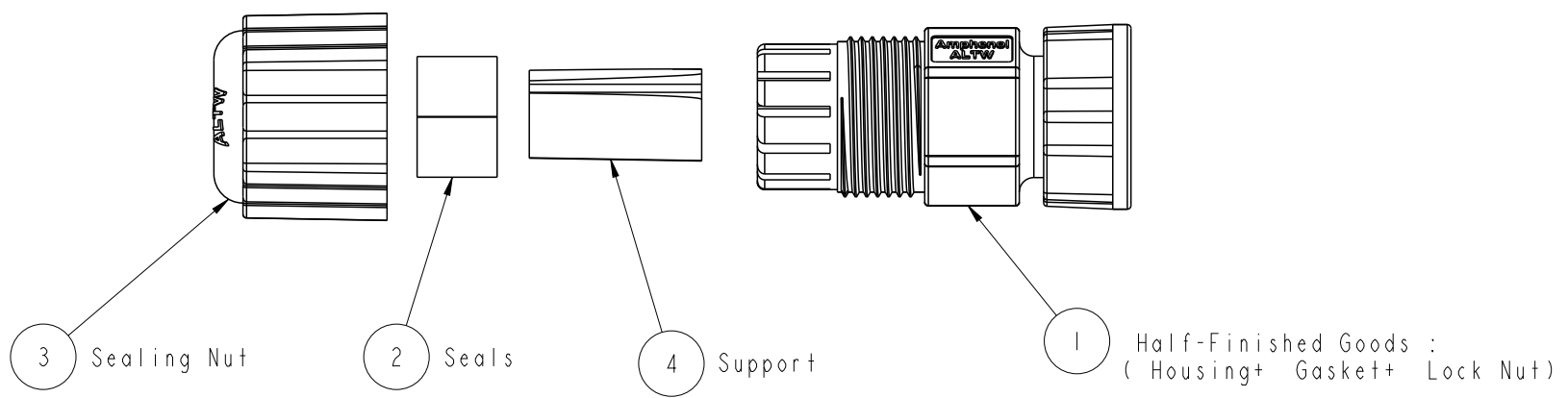


REV.	ECN NO.	DATE	SIGN	DESCRIPTION



- Note:
- * Important Dimension
 - * Waterproof Rate : IP67 (Mating)
 - * Half-Finished Goods:Housing : Nylon,Black
Gasket : Silicon,Dgray;Screw Nut : Nylon,Black
 - * Support: Black,TPU
 - * Sealing Nut: Nylon+GF,Black
 - * Seals: Silicon,Dgray.
 - * Cable OD Max :6.5mm
 - * One Set Unassembled in One PE Bag.

UNIT : mm 	TITLE RJ45 FEED-THRU, 13/16"-28,CSIZE			Amphenol LTW 安費諾亮泰企業股份有限公司	ITEM NO RCP-00BMMS-SLM7001	DRAWN BY Raison_liao	DATE 2013-05-27
	SCALE 1:1	SIZE A4	SHEET 1 OF 1		DWG NO RCP-00BMMS-SLM7001	CHECKED BY TONY	DATE 2013-05-27
	REV.	WC-REV. A.10	QC: Inspection item		CUSTOMER ALTW	APPROVED BY VICTOR	DATE 2013-05-27

THIS DOCUMENT IS SUBJECT TO CHANGE WITHOUT NOTICE. IT IS CONFIDENTIAL AND A PROPERTY OF Amphenol LTW. DISCLOSURE TO THIRD PARTY HAS TO BE AUTHORIZED BY Amphenol LTW.