

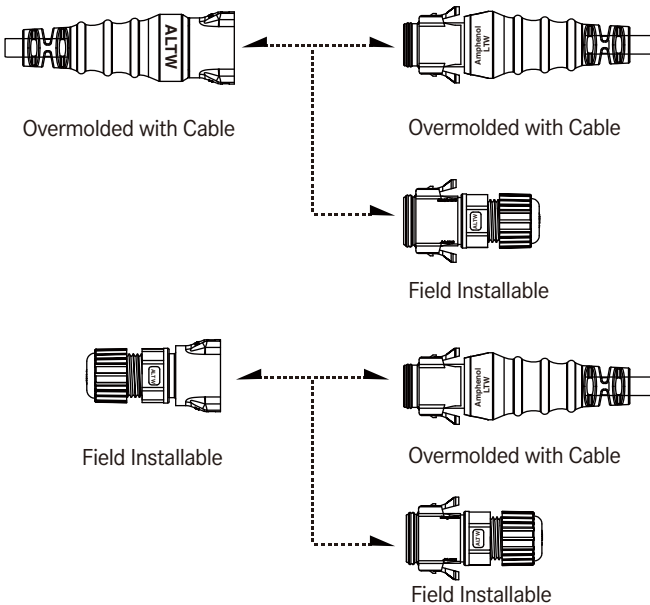
# RBL Connector



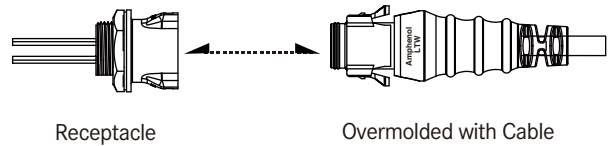
- Haptic
- Blind Mating
- Push-to-Connector
- Easy and Fast Disconnect

## Range Overview

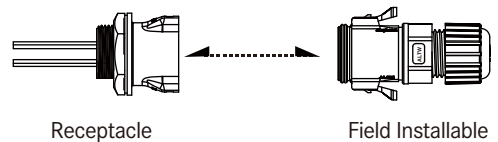
### ∨ In-line



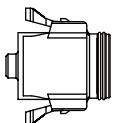
### ∨ Receptacle and Mating Pair



### ∨ Receptacle to Field Installable



### ∨ Accessories



Waterproof Cap  
See page 20-6