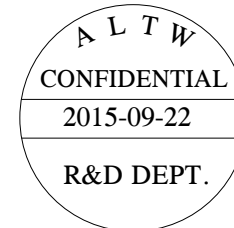
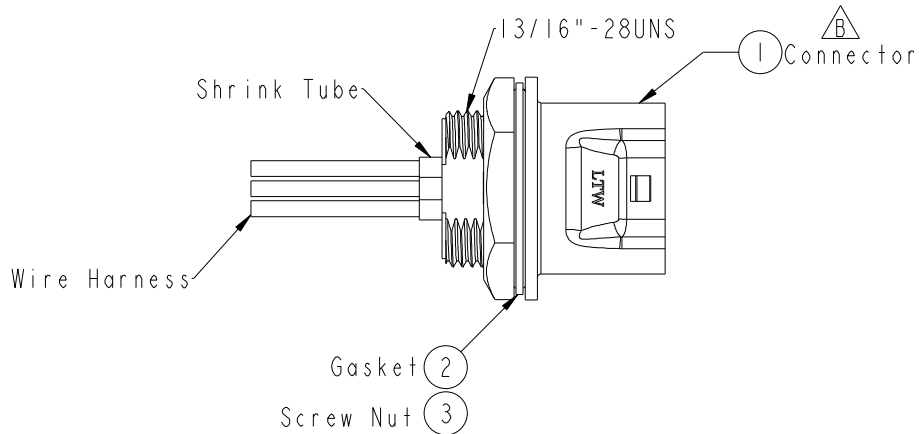
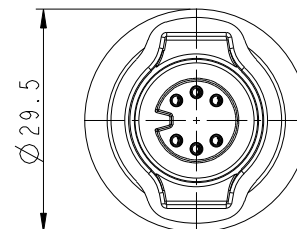
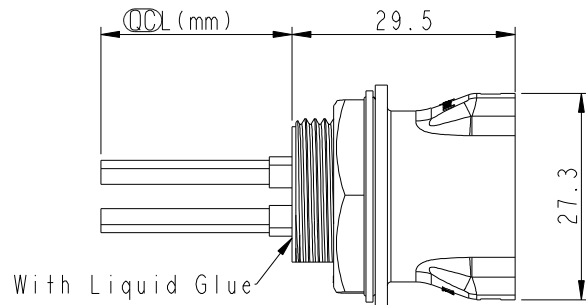
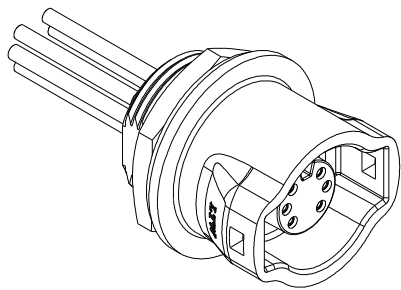
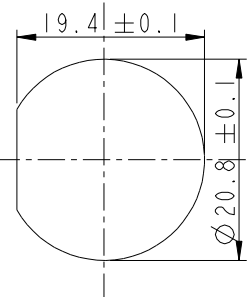


REV.	ECN NO.	DATE	SIGN	DESCRIPTION
B	LE315A0044~48	2015/09/22	Joyy	Update The Drawing



Note:

- * (⊘) Important Dimension To Check.
- * Waterproof Rate: IP67
- * Housing: M-PPE, Black.
- * Female Pin: Copper Alloy, Gold Plated.
- * Gasket: Silicone, Black.
- * Screw Nut: Nylon+GF, Black.
- * Wire Harness: UL1430 20#
- * Panel Thickness Max: 5.0mm
- * Recommended Nut Torque: 4~7 kgf.cm
- * Wire harness Tolerance: 100~300 ±15mm
301~1000 ±20mm
- * Prohibiting the use of place in oils



Recommended Panel Cut-out



UNIT:mm		
TOLERANCE ±0.5		

TITLE MIDDLE PANEL RBL F CONN F PIN			
SCALE 1:1	SIZE A4	SHEET 1 OF 2	
REV. B	WC-REV. A.1	QC: Inspection item	

Amphenol LTW
安費諾亮泰企業股份有限公司

ITEM NO	DRAWN BY Joyy	DATE 2015-09-22
DWG NO CD-XXRFFC-RC7BXX	CHECKED BY Lu Di	DATE 2015-09-22
CUSTOMER ALTW	APPROVED BY Jerry	DATE 2015-09-22

THIS DOCUMENT IS SUBJECT TO CHANGE WITHOUT NOTICE. IT IS CONFIDENTIAL AND A PROPERTY OF Amphenol LTW. DISCLOSURE TO THIRD PARTY HAS TO BE AUTHORIZED BY Amphenol LTW.

THIS DOCUMENT IS SUBJECT TO CHANGE WITHOUT NOTICE. IT IS CONFIDENTIAL AND A PROPERTY OF Amphenol LTW. DISCLOSURE TO THIRD PARTY HAS TO BE AUTHORIZED BY Amphenol LTW.

1 2 3 4 5 6 7 8

F

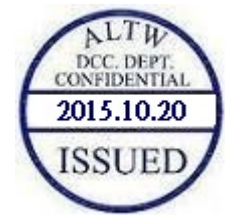
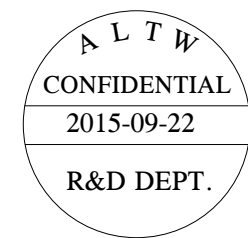
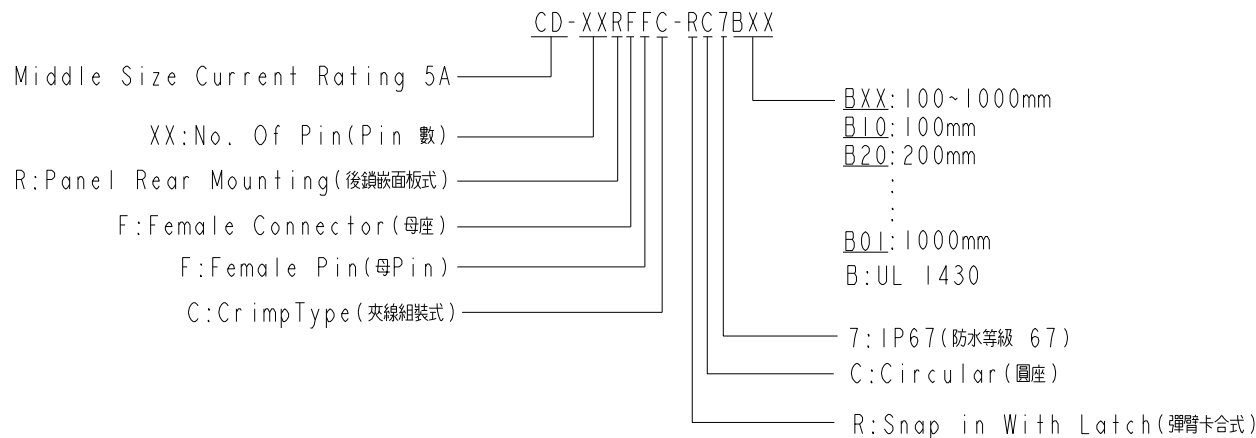
E

D

C

B

A



Pin Out	4 -- 3 White 白 2 -- 1 Black 黑	4 Blue 藍 3 White 白 2 -- 1 Black 黑	4 Blue 藍 3 White 白 2 Brown 棕 1 Black 黑	6 Green 綠 5 -- 4 Black 黑 3 Blue 藍 2 White 白 1 Brown 棕	6 Grey 灰 5 Yellow 黃 4 Green 綠 3 White 白 2 Blue 藍 1 Brown 棕
Pin Assignments Front View	 2Pin	 3Pin	 4Pin	 5Pin	 6Pin

UNIT:mm		TITLE MIDDLE PANEL RBL F CONN F PIN		<h1>Amphenol LTW</h1> <p>安費諾亮泰企業股份有限公司</p>		ITEM NO	DRAWN BY	DATE
TOLERANCE ±0.5		SCALE 1:1	SIZE A4			SHEET 2 OF 2	DWG NO CD-XXRFFC-RC7BXX	CHECKED BY Lu Di
		REV. B	WC-REV. A.1	☉: Inspection item	CUSTOMER ALTW	APPROVED BY Jerry	DATE 2015-09-22	

1 2 3 4 5 6 7 8 FMM10702-01-02A1