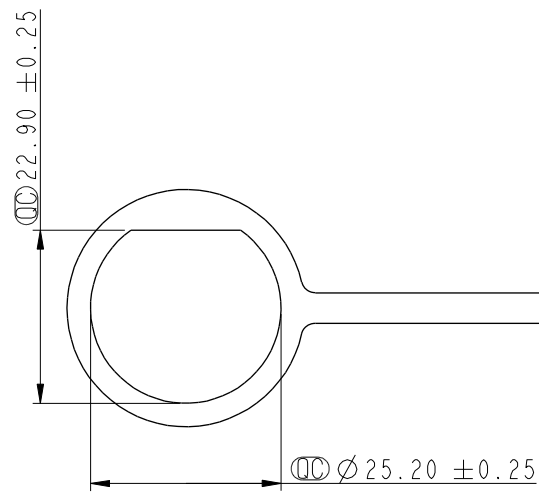


REV.	ECN NO.	DATE	SIGN	DESCRIPTION

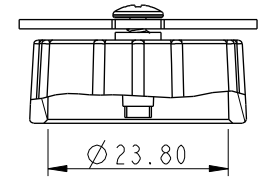
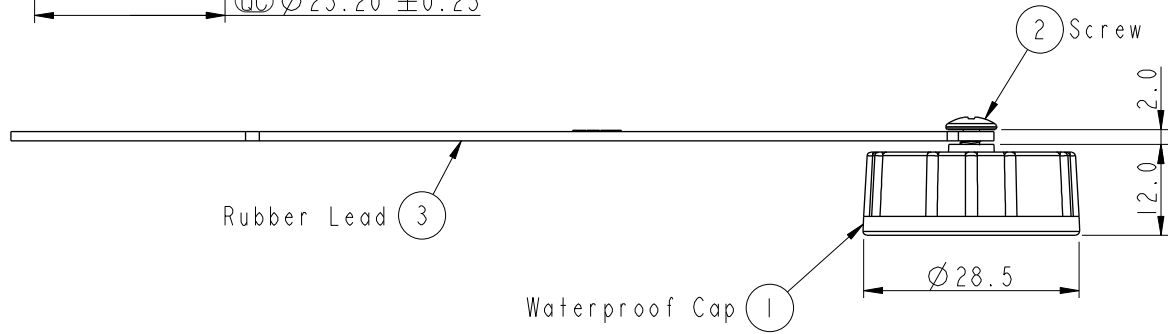
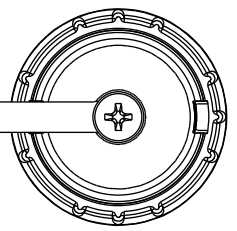
THIS DOCUMENT IS SUBJECT TO CHANGE WITHOUT NOTICE. IT IS CONFIDENTIAL AND A PROPERTY OF Amphenol LTW. DISCLOSURE TO THIRD PARTY HAS TO BE AUTHORIZED BY Amphenol LTW.

A L T W
CONFIDENTIAL
2013-05-22
R&D DEPT.

ALTW
DCC. DEPT.
CONFIDENTIAL
2013.05.23
ISSUED



LTW



Note:
 * ⌀ Important Dimension To Check.
 * Waterproof Rate: IP67.
 * Cap: Nylon+GF, Black.
 * Gasket: EPDM, Black.
 * Rubber Lead: PVC, Black.
 * Screw is not allowed to tight (Chain be revolve)
 不可將螺絲鎖緊 (Rubber Lead要可旋轉)

UNIT: mm		
TOLERANCE	.X	± 0.25
	.XX	± 0.1
	.XXX	± 0.05
ANGLES		$\pm 1^\circ$

TITLE Waterproof Cap For Male Conn. D Size Lock Type			
SCALE	1:1	SIZE	A4
SHEET	1	OF	1
REV.	A	WC-REV.	A.3
⌀ : Inspection item			

Amphenol LTW
安費諾亮泰企業股份有限公司

ITEM NO	CAP-WADMLPCI	DRAWN BY	Vicky	DATE	2013-05-22
DWG NO	CAP-WADMLPCI	CHECKED BY	Sam Chang	DATE	2013-05-22
CUSTOMER	ALTW	APPROVED BY	Maslow	DATE	2013-05-22

A B C D E F