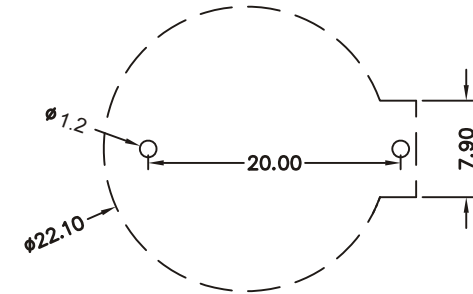
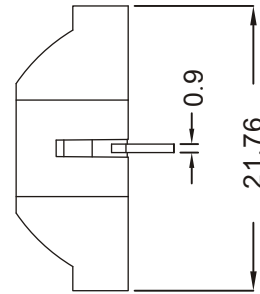
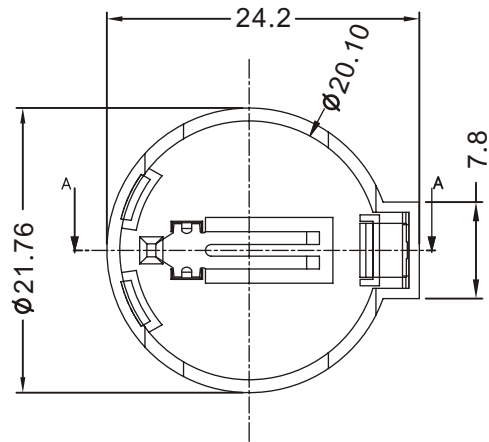
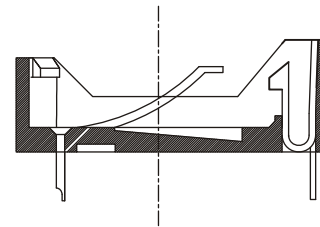
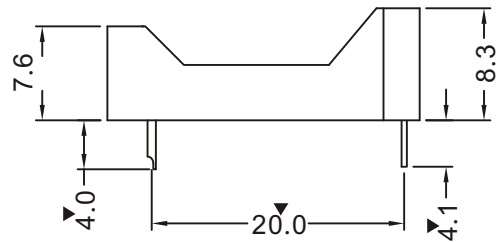


# BONREX



PCB HOLE LAYOUT



SECTION A-A

NOTES:

1. MATERIAL:

HOUSING: GLASS FILLED PPA, UL94V-0,  
 TERMINAL: 0.15mm PHOSPHOR BRONZE, NICKEL PLATED

BONREX TECHNOLOGY CO.,LTD



REV. 1.0	SCALE 2X	UNIT mm	ALSO ACCEPTS CR2020 CR2025CR2032	MATERIAL PPA	COLOR/FINISH BLACK
TOLERANCES			FLAME RATING UL 94V-0	TEMPERATURE RANGE - 40 <sup>0</sup> C ~ 270 <sup>0</sup> C	VOLTAGE PARAMETERS 270V
DECIMAL ANGULAR					
DRAW JINZHI			PART NAME BATTERY HOLDERS		
APPROVAL GWEN			PART NO <b>BH820</b>		
COLOUR SILVERY					