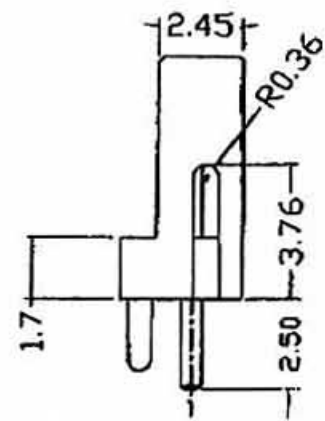
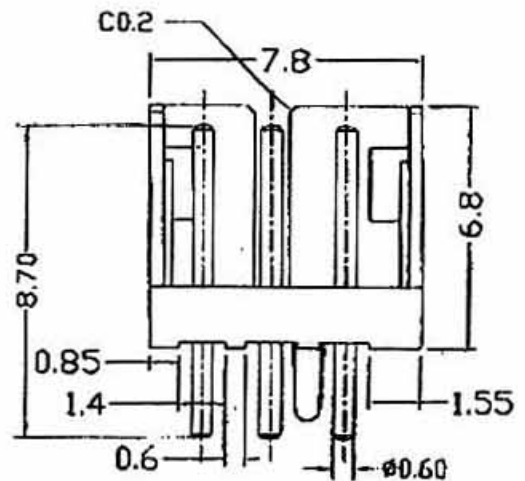


Notes:
 Material: Nylon 6/6 UL 94V-2.
 Color: White.
 Contact: Brass Tin Plated.



玄茂科技股份有限公司
 HSUAN MAO TECHNOLOGY CO., LTD.

UNIT		SCALE		PART NAME	
MM		2:1		AMP 2.0mm WAFER 180° -3P W/ LOCATING PEG	
APPD.	CKD.	TOLERANCE		PART NO.	REV.
		± 0.3		W2109-03PSTW01	A

制表日: 2002/05/09

DRAWING. APPROVED
Jane