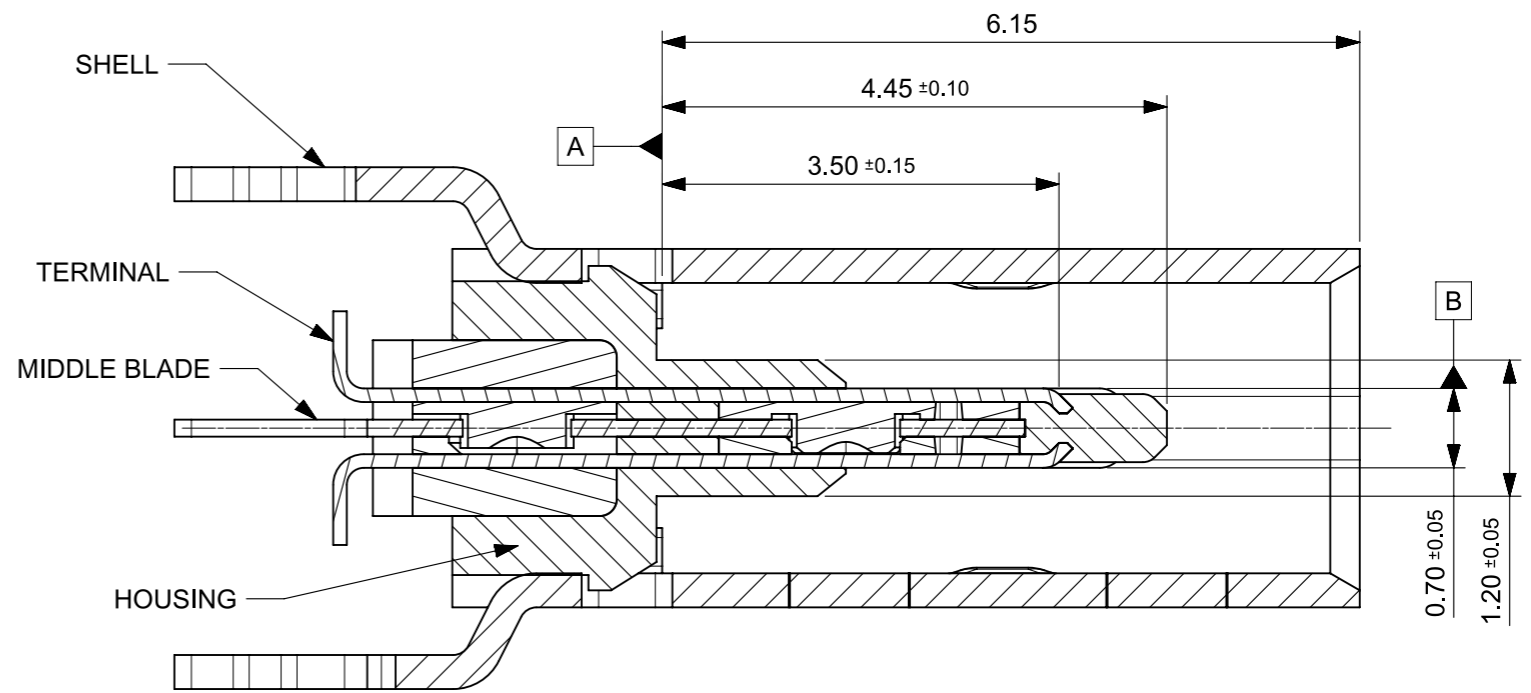
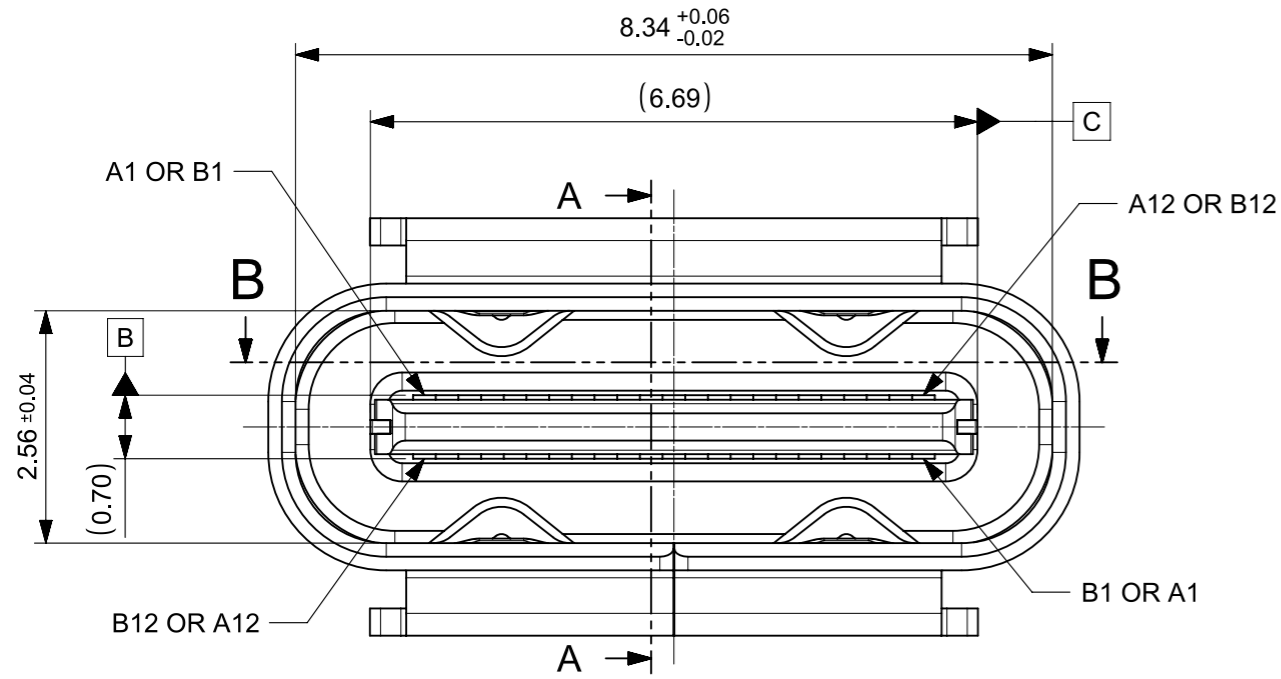


PRE-RELEASE
REFERENCE
USE ONLY

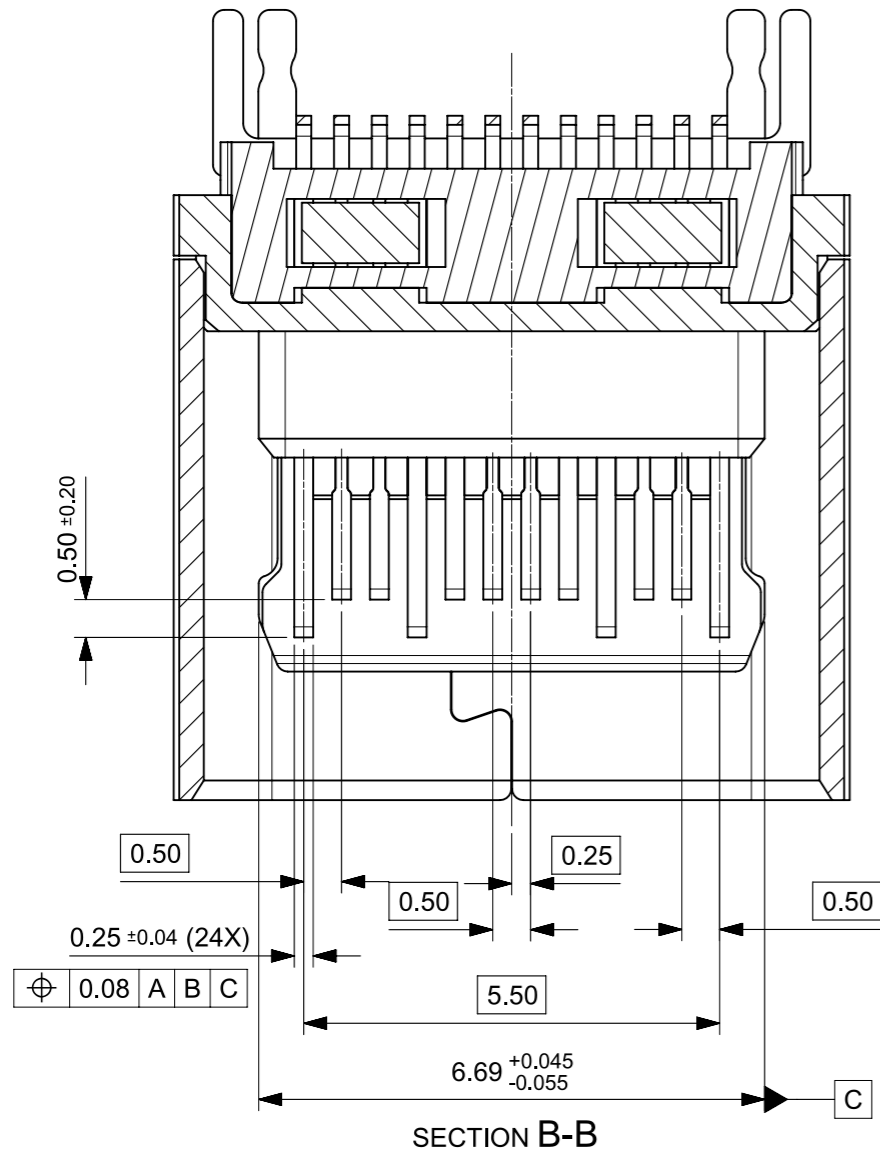
PART NO.	L
2047110001	1.4
2047110101	2.5

THIS DRAWING CONTAINS INFORMATION THAT IS PROPRIETARY TO MOLEX ELECTRONIC TECHNOLOGIES, LLC AND SHOULD NOT BE USED WITHOUT WRITTEN PERMISSION									
DIMENSION UNITS	SCALE	CURRENT REV DESC:							
mm	7:1								
GENERAL TOLERANCES (UNLESS SPECIFIED)		EC NO:			VERTICAL USB TYPE C				
ANGULAR TOL ± 3.0°		2018/03/02							
4 PLACES ±		DRWN: RZHANG			PRODUCT CUSTOMER DRAWING				
3 PLACES ±		CHK'D:							
2 PLACES ± 0.2		APPR:			DOCUMENT NUMBER: 2047110001 DOC TYPE: PSD DOC PART: 000 REVISION: A2				
1 PLACE ± 0.2		INITIAL REVISION:							
0 PLACES ±		2017/04/20			MATERIAL NUMBER: SEE CHART CUSTOMER: SHEET NUMBER: 1 OF 3				
DRAFT WHERE APPLICABLE MUST REMAIN WITHIN DIMENSIONS		THIRD ANGLE PROJECTION		DRAWING: A3-SIZE					

DOCUMENT STATUS	RELEASE DATE
-----------------	--------------



SECTION A-A



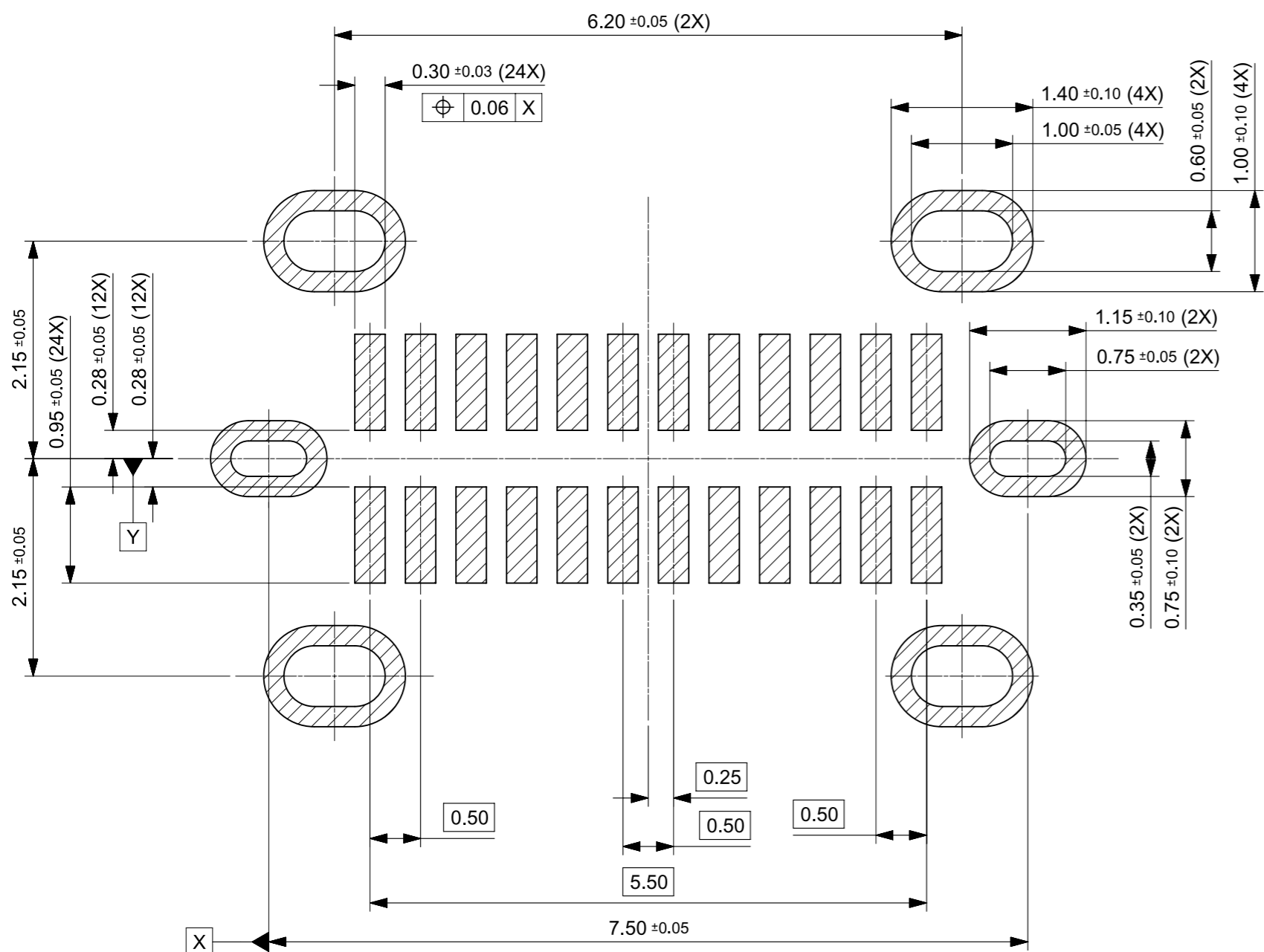
SECTION B-B

PIN ASSIGNMENT											
A1	A2	A3	A4	A5	A6	A7	A8	A9	A10	A11	A12
GND	TX1+	TX1-	Vbus	CC1	D+	D-	SBU1	Vbus	RX2-	RX2+	GND
GND	RX1+	RX1-	Vbus	SBU2	D-	D+	CC2	Vbus	TX2-	TX2+	GND
B12	B11	B10	B9	B8	B7	B6	B5	B4	B3	B2	B1

PRE-RELEASE
REFERENCE
USE ONLY

THIS DRAWING CONTAINS INFORMATION THAT IS PROPRIETARY TO MOLEX ELECTRONIC TECHNOLOGIES, LLC AND SHOULD NOT BE USED WITHOUT WRITTEN PERMISSION		CURRENT REV DESC:		molex			
DIMENSION UNITS	SCALE						
mm	10:1			VERTICAL USB TYPE C			
GENERAL TOLERANCES (UNLESS SPECIFIED)		EC NO:		2018/03/02			
ANGULAR TOL ± 3.0°		DRWN: RZHANG		2017/04/20			
4 PLACES ±		CHK'D:		2017/12/05			
3 PLACES ±		APPR:		PRODUCT CUSTOMER DRAWING			
2 PLACES ± 0.2		INITIAL REVISION:		DOCUMENT NUMBER			
1 PLACE ± 0.2		DRWN: RZHANG		2047110001			
0 PLACES ±		APPR: AYIN		DOC TYPE DOC PART REVISION			
DRAFT WHERE APPLICABLE MUST REMAIN WITHIN DIMENSIONS		THIRD ANGLE PROJECTION	DRAWING	SERIES	MATERIAL NUMBER	CUSTOMER	SHEET NUMBER
			A3-SIZE	204711	SEE CHART		2 OF 3

DOCUMENT STATUS	RELEASE DATE
-----------------	--------------



RECOMMENDED PCB LAYOUT

NOTES:

- MATERIAL,
HOUSING: HIGH TEMPERATURE THERMAL PLASTIC ,
30% GLASS FILLED, BLACK, UL94V-0.
TERMINAL: COPPER ALLOY
SHELL: STAINLESS STEEL
MIDDLE BLADE: STAINLESS STEEL
- PLATING:
TERMINAL: CONTACT AREA: 0.76 MICROMETER MIN. GOLD PLATING
SOLDER TAIL: 0.05 MICROMETER MIN. GOLD PLATING
UNDER PLATING: 2.0 MICROMETER MIN. NICKEL PLATING OVERALL
SHELL: 1.25 MICRON MIN. SOLDERABLE NICKEL PLATING OVERALL
MIDDLE BLADE: 1.25 MICRON MIN. SOLDERABLE NICKEL PLATING OVERALL
- PRODUCT SPEC REFER TO PS-105448-001
- PACKAGE SPEC REFER TO 2047118888
- COPLANARITY OF SMT PINS SOLDER TAIL IS 0.08 MAX. BEFORE REFLOW
AND 0.10 MAX. AFTER REFLOW
- T/H SOLDER TAIL POSITION BE CONTROLLED BY GAUGE
- PRODUCT COMPLANT TO ROHS DIERTIVE 2011/65/EU
AND ELV DIRECTIVE 2000/53/EC

PRE-RELEASE
REFERENCE
USE ONLY

THIS DRAWING CONTAINS INFORMATION THAT IS PROPRIETARY TO MOLEX ELECTRONIC TECHNOLOGIES, LLC AND SHOULD NOT BE USED WITHOUT WRITTEN PERMISSION		CURRENT REV DESC:		molex	
DIMENSION UNITS	SCALE				
mm	15:1			VERTICAL USB TYPE C	
GENERAL TOLERANCES (UNLESS SPECIFIED)		EC NO:		2018/03/02	
ANGULAR TOL ± 3.0 °		DRWN: RZHANG		2017/04/20	
4 PLACES ±		CHK'D:		2017/12/05	
3 PLACES ±		APPR:		PRODUCT CUSTOMER DRAWING	
2 PLACES ± 0,2		INITIAL REVISION:		DOCUMENT NUMBER	
1 PLACE ± 0,2		DRWN: RZHANG		2047110001	
0 PLACES ±		APPR: AYIN		PSD 000 A2	
DRAFT WHERE APPLICABLE MUST REMAIN WITHIN DIMENSIONS		THIRD ANGLE PROJECTION	DRAWING	SERIES	MATERIAL NUMBER
			A3-SIZE	204711	SEE CHART
DOCUMENT STATUS		RELEASE DATE		SHEET NUMBER	
				3 OF 3	