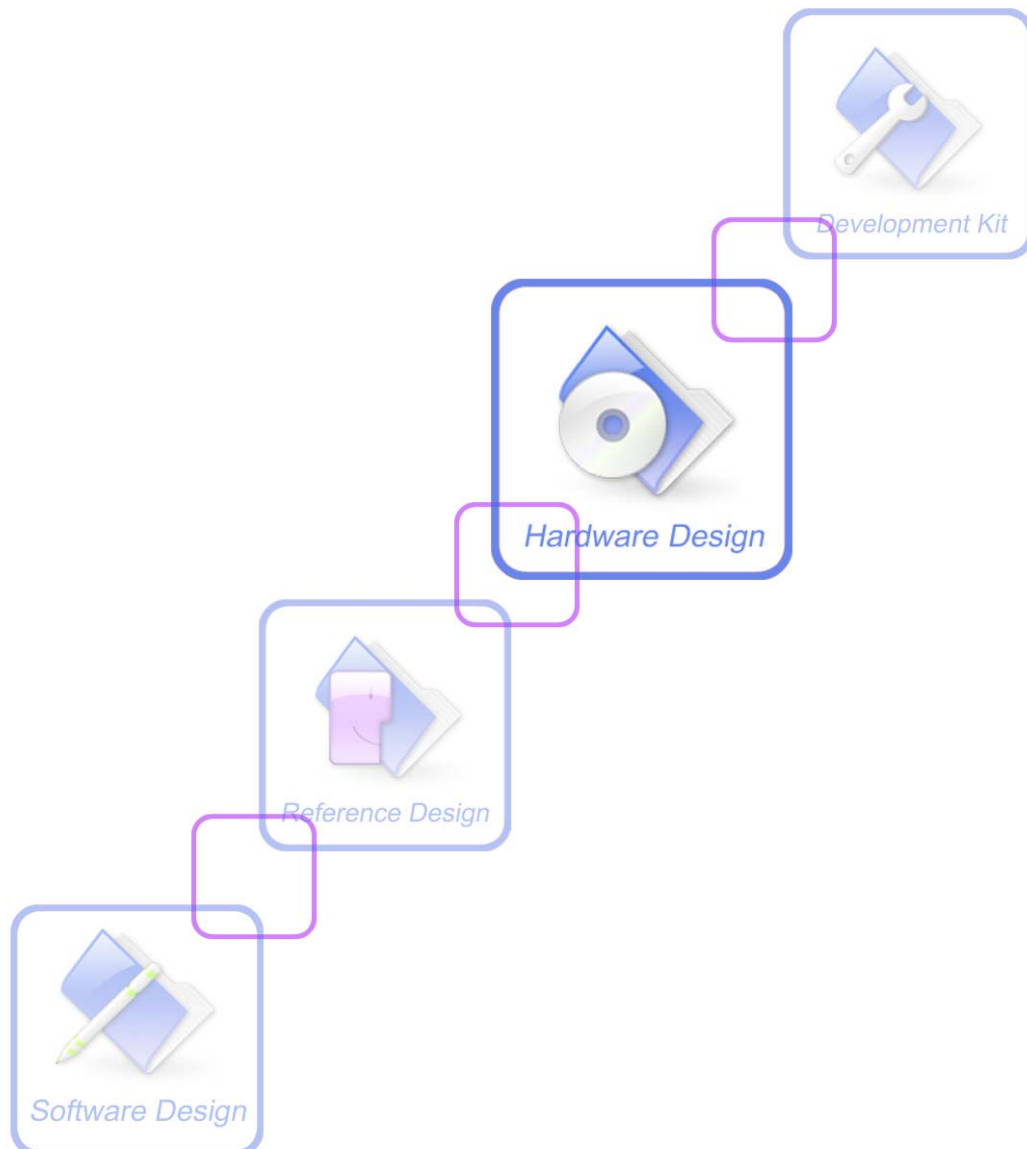




# Hardware Design

**SIM20\_HD\_V2.02**



<b>Document Title:</b>	SIM20 Hardware Design
<b>Version:</b>	2.02
<b>Date:</b>	2009-12-02
<b>Status:</b>	Release
<b>Document Control ID:</b>	SIM20_HD_V2.02

**General Notes**

SIMCom offers this information as a service to its users, to supports application and engineering efforts that use the products designed by SIMCom. The information provided is based upon requirements specifically provided to SIMCom by the users. SIMCom has not undertaken any independent search for additional relevant information, including any information that may be in the user's possession. Furthermore, system validation of this product designed by SIMCom within a larger electronic system remains the responsibility of the user or the user's system integrator. All specifications supplied herein are subject to change.

**Copyright**

This document contains proprietary technical information which is the property of SIMCom Limited., copying of this document and giving it to others and the using or communication of the contents thereof, are forbidden without express authority. Offenders are liable to the payment of damages. All rights reserved in the event of grant of a patent or the registration of a utility model or design. All specification supplied herein are subject to change without notice at any time.

*Copyright © Shanghai SIMCom Wireless Solutions Ltd. 2009*

# Contents

Contents .....	2
Version History .....	5
1 Introduction .....	6
1.1 Related documents .....	6
1.2 Terms and abbreviations.....	6
2 SIM20 overview.....	7
2.1 SIM20 key features .....	7
2.2 SIM20 functional diagram .....	8
2.3 SIM20 evaluation board .....	9
3 Application Interface.....	10
3.1 SIM20 Pads description .....	10
3.2 Power supply.....	12
3.3 Turn-on and Turn-off the SIM20 .....	12
3.3.1 Turn on SIM20 .....	12
3.3.2 Turn off SIM20 .....	12
3.4 Peripheral interface .....	12
3.4.1 Communicate Connection Interface.....	13
3.4.2 Logic levels of peripheral interfaces .....	14
3.4.3 Software upgrade .....	15
3.5 General purpose input and output .....	15
4 Antenna interface .....	16
4.1 Antenna installation.....	16
4.2 Module RF output power .....	16
4.3 Module RF receive sensitivity.....	17
4.4 Module related frequencies .....	17
5 Electrical, reliability and radio characteristics .....	18
5.1 Absolute maximum ratings .....	18
5.2 Operating temperatures .....	18
5.3 Power supply rating.....	18
5.4 Electro-Static discharge.....	19
6 Mechanical dimensions of module.....	20
7 The ramp-soak-spike reflow profile of SIM20 .....	22

## Figure index

FIGURE 1: SIM20 FUNCTIONAL DIAGRAM .....	9
FIGURE 2: TOP VIEW OF SIM20 EVB .....	10
FIGURE 3: SIM20 PADS CONFIGURATION .....	11
FIGURE 4: REFERENCE CIRCUIT OF THE SOURCE POWER SUPPLY INPUT .....	12
FIGURE 5: UART INTERFACE .....	13
FIGURE 6: IIC INTERFACE.....	13
FIGURE 7: SPI INTERFACE .....	14
FIGURE 8: C2 INTERFACE SOFTWARE UPGRADE.....	15
FIGURE 9: ANTENNA PAD .....	16
FIGURE 10: MECHANICAL DRAWINGS OF SIM20 (UNIT: MM) .....	20
FIGURE 11: SIM20 BOTTOM VIEW (UNIT: MM) .....	20
FIGURE 12: FOOTPRINT RECOMMENDATION (UNIT: MM) .....	21
FIGURE 13: THE RAMP-SOAK-SPIKE REFLOW PROFILE OF SIM20.....	22

## Table index

TABLE 1: RELATED DOCUMENTS .....	6
TABLE 2: TERMS AND ABBREVIATIONS .....	6
TABLE 3: SIM20 KEY FEATURES .....	7
TABLE 4: PAD NAME AND DESCRIPTION .....	11
TABLE 5: LOGIC LEVELS OF SERIAL INTERFACES .....	14
TABLE 6: GPIO OF SIM20 .....	15
TABLE 7: SIM20 RF OUTPUT POWER .....	17
TABLE 8: SIM20 RF RECEIVE SENSITIVITY .....	17
TABLE 9: SIM20 RECEIVE/TRANSMIT FREQUENCY .....	17
TABLE 10: ABSOLUTE MAXIMUM RATINGS .....	18
TABLE 11: SIM20 OPERATING TEMPERATURE .....	18
TABLE 12: SIM20 POWER SUPPLY RATING .....	18
TABLE 13: THE ESD ENDURE STATUE MEASURED TABLE .....	19

## Version History

<b>Data</b>	<b>Version</b>	<b>Description of change</b>	<b>Author</b>
2009-09-16	02.01	Origin	Jirang.Feng, Liya
2009-12-02	02.02	Page 10: Figure 2: Top view of SIM20 EVB and TE Page 11: Figure 3: SIM20 pads configuration Table 4: Pad name and description Page 18:Table 11: SIM20 operating temperature Page 20:Figure 10, Figure 11, Figure 12	Qunhui.tan, Liya

## Scope of the document

This document is intended for the following versions of the SIMCom modules

- SIM20-A: SRD RF 433MHz– 434.79MHz Version
- SIM20-B: SRD RF 863MHz – 870MHz Version
- SIM20-C: SRD RF 902MHz – 928MHz Version

## 1 Introduction

This document describes the hardware interface of the SIMCom SIM20 module, which can be used in the specific applications and the air interface fields. As SIM20 module can be integrated to products in a wide range of applications, functional components of SIM20 are described in details as following chapters.

This document helps users to understand SIM20 interface's specifications, electrical and mechanical details quickly. With the help of this document and the other notes or documents, users can use SIM20 module to design and set up wireless applications quickly.

### 1.1 Related documents

**Table 1: Related documents**

SN	Document name	Remark
[1]	NDA_SIM20-EVB_U GD_V2.02	SIM20-EVB application note helps the users to develop their product
[2]	SIM20_SPEC	The module's parameters are described in this document

### 1.2 Terms and abbreviations

**Table 2: Terms and abbreviations**

Abbreviation	Description
RF	Radio Frequency
IIC	Inter-Integrated Circuit
UART	Universal Asynchronous Receiver & Transmitter
SPI	Serial Peripheral interface
SRD	Short Range Devices
ISP	In System Program
DTE	Data Terminal Equipment

## 2 SIM20 overview

SIM20 designed for global market is a highly-integrated, semi-duplex, multi-channel, low power and wireless communication module. It includes high speed MCU and perfect performance RF chip, so it has the perfect receiving sensitivity、programmable transmitting power and data rate. SIM20 supports the multi-channel choice, transparent date transfer without complex user settings, it also supports UART、IIC、SPI interface. With a tiny configuration of 21mm×13.8mm×2.6mm, SIM20 can fit almost all space requirements in user application, such as Low cost wireless data transfer, Wireless sensor, Wireless metering, Wireless medical telemetry service, Process and building control, Remote control, security systems, Home automation, Keyless entry and so on. SIM20 is designed with power saving technique, so the typical sleep current is as low as 16uA.

The physical interface of SIM20 as following:

- One power pad and ten ground pads.
- UART interface
- SPI interface (reserved).
- IIC interface (reserved).
- Two lines download
- One antenna interface.

SIM20 is integrated with the Error Detection and Correction algorithm, which is very useful for those data transfer applications.

### 2.1 SIM20 key features

**Table 3: SIM20 key features**

Feature	Implementation
Standard	ETSI EN 300-200, FCC Part 15, Chinese SRD regulatory standards
Frequency	SIM20-A: 433MHz– 434.79MHz SIM20-B: 863MHz – 870MHz SIM20-C: 902MHz – 928MHz
Modulation schemes	GFSK
Frequency interval	100KHz
Max Transmit power	18dBm
Receive sensitivity	-118dBm@2400bps
Air date rate	2400 – 128000bps
UART interface date rate	115200bps
Interface check mode	8E1/8N1/801



## SIM20 Hardware Design

Interface buffer size	512bytes
Sleep current consumption	16uA
TX current consumption	80mA@18dBm (peak value)
RX current consumption	26mA
Input voltage of the module	3.0V~3.6V(±50mV)
Connectors of the module	UART,SPI, IIC
Length × Width × Height	21mm×13.8mm×2.6mm
Weight	1.5g
Operation temperature	-20℃ ~ 70℃
Storage temperature	-40℃ ~ 85℃
Operation humidity	10%~90%

## 2.2 SIM20 functional diagram

The following figure shows a functional diagram of SIM20, and it illustrates the main functional parts:

- Digital baseband engine  
SIM20 module selects Silicon Lab's 8 bit MCU for current use, this MCU can run up to 24.5MIPS.
- RF engine  
SIM20 module selects Silicon Lab's short distance RF chip for current use, and this chip provides programmable power controller, high performance data detect, and users can improve the detection performance by selecting higher correlation sequence
- Module interface.  
SIM20 provides 22 SMD pads, which contain UART, IIC, SPI, Antenna, Power supply, ground, download interface.

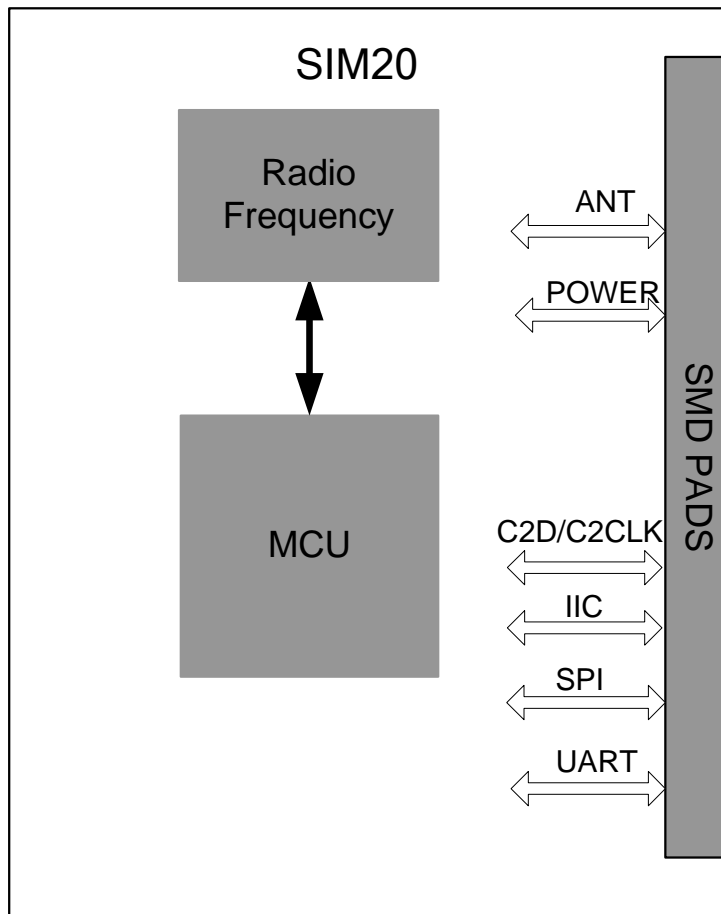


Figure 1: SIM20 functional diagram

### 2.3 SIM20 evaluation board

In order to help users to develop SIM20, SIMCom supplies an evaluation board (EVB), with appropriate power supply, UART interface, IIC interface and SPI interface.

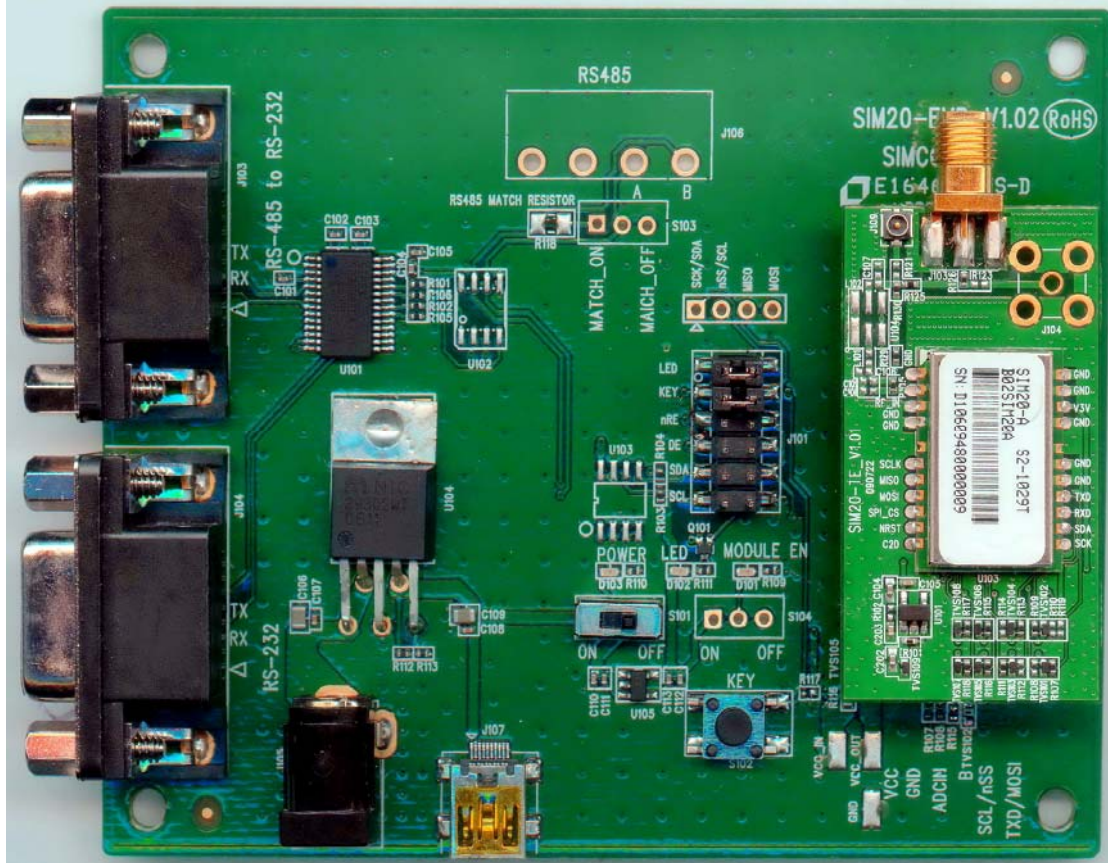


Figure 2: Top view of SIM20 EVB and TE

*Note: For details please refer to the NDA\_SIM20-EVB\_UGD\_V2.02 document.*

### 3 Application Interface

#### 3.1 SIM20 Pads description

The following figure shows SIM20 pads assignment. And more descriptions are contained in the following table.

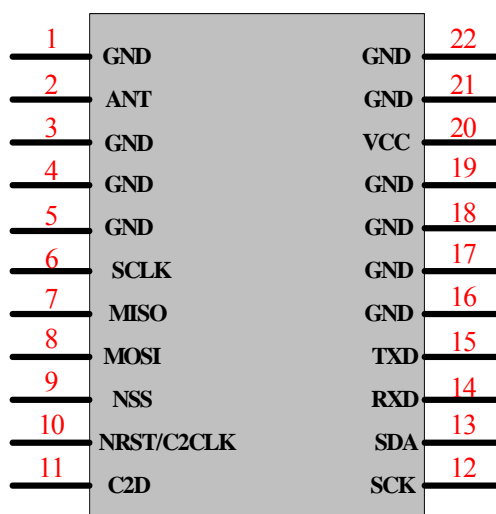


Figure 3: SIM20 pads configuration

Table 4: Pad name and description

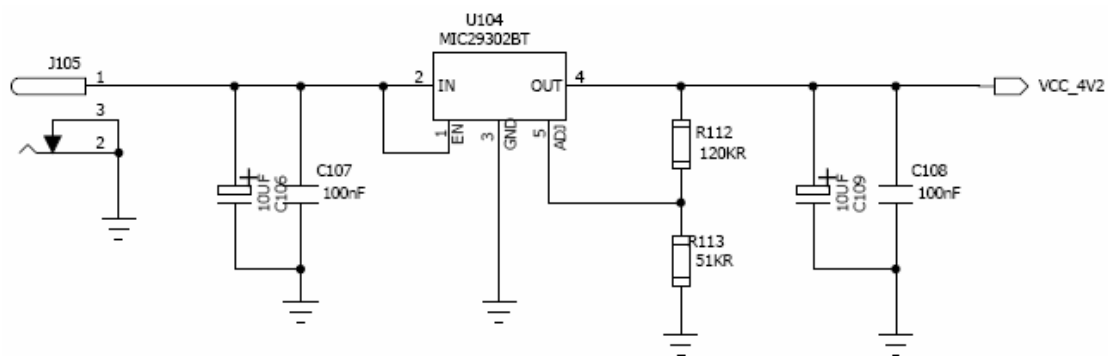
Pads	Name	I/O	Description	DC Characteristics
20	VCC	power	The power supply of SIM20 has to be a single voltage source of VCC= 3.3V.	Vmax= 3.6V Vmin=3.0V
2	ANT	antenna	Antenna interface	
1,3,4,5, 16,17,18, 19,21,22	GND	ground	ground	
6	SCLK	O	SPI clock	
7	MISO	I	SPI master in slave out	
8	MOSI	O	SPI master out slave in	
9	NSS	O	SPI slave selected output signal	
10	NRST /C2CLK	I	reset input/ Clock signal for the C2 Debug Interface	
11	C2D	I/O	Bi-directional data signal for the C2 Debug Interface	
12	SCK	O	IIC clock	In the IIC Mode, Users must pull up a resistor to high voltage
13	SDA	I/O	IIC data	
14	RXD	I	Receive Data	
15	TXD	O	Transmit Data	

## 3.2 Power supply

The power supply of SIM20 is between 3.0V to 3.6V. It is better that the power supply to the EVB is 1V larger than the power supply to SIM20. So users should calculate the appropriate value when users validate the power system for SIM20.

The circuit design of the power supply depends strongly from the power source where this power is drained. As in the following figure, the power supply of the EVB is 5V, and the designed output for the power supply is 4.2V. Thus a linear regulator can be used. The 4.2V is dropped to 3.3V by LDO supply for SIM20 module.

The single 4.2V Li-Ion cell battery type can be connected to the power supply of the SIM20-EVB directly.



**Figure 4: Reference circuit of the source power supply input**

Power supply pads on SIM20.

One VCC pad of SIM20 is used for power supply. Ten GND pads are used for ground.

## 3.3 Turn-on and Turn-off the SIM20

### 3.3.1 Turn on SIM20

SIM20 can be turned on automatically when power is supplied.

### 3.3.2 Turn off SIM20

Users can turn off SIM20 module by cutting off supply power.

## 3.4 Peripheral interface

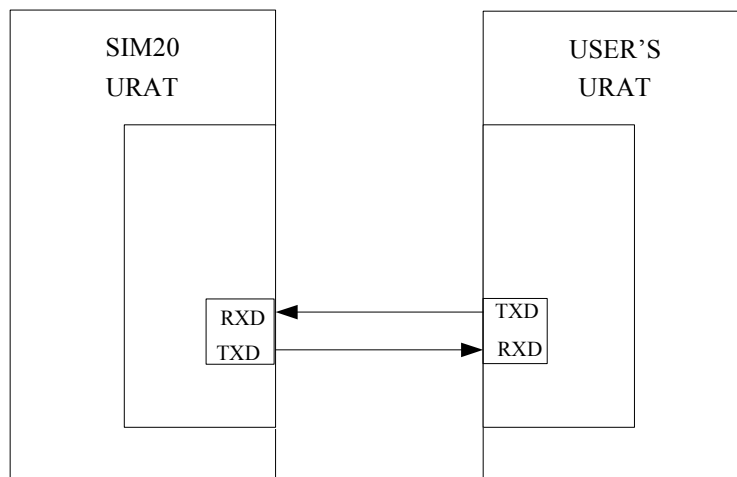
SIM20 provides three asynchronous interfaces: URAT, IIC and SPI. All hardware interfaces are described in detail in following chapters.

### 3.4.1 Communicate Connection Interface

#### UART interface:

The default UART can be used as communication interface. The UART interface supports 115200 bps by default, the typical use as following figure.

- TXD: Send data to the RXD signal line of the DTE
- RXD: Receive data from the TXD signal line of the DTE

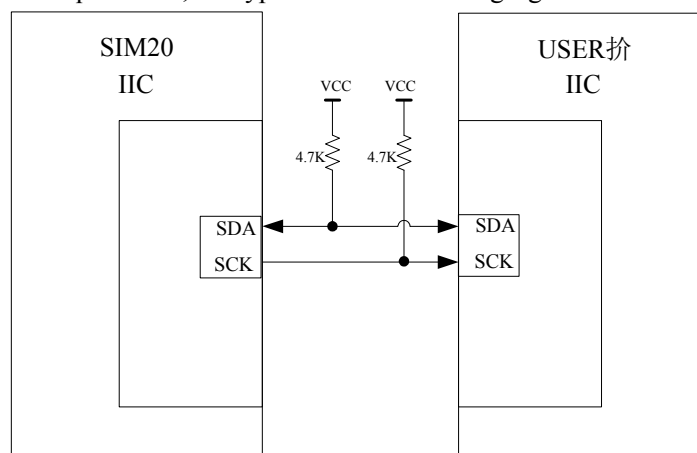


**Figure 5: UART interface**

#### IIC interface:

The reserved IIC interface, in the application IIC (SDA & SCK) lines need to be connected to VCC (3.3V) via 4.7K pull-up resistor.

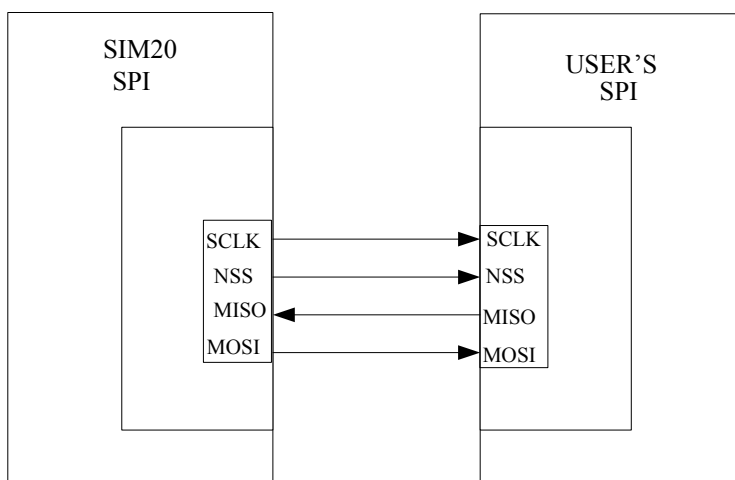
The IIC works in host mode usually, but the IIC interface can be configured to master or slave according to the user requirement, the typical use as following figure.



**Figure 6: IIC interface**

#### SPI interface:

The reserved SPI interface can be used as communication interface also. The module works in host mode usually, but the SPI can be configured master or slave according to the user requirement, the typical use as following figure.



**Figure 7: SPI interface**

**Note:**

- TXD: Transmit Data
- RXD: Receive data
- SDA: IIC data
- SCK: IIC clock
- SCLK: clock of SPI
- NSS: slave select input of SPI
- MISO: Master in slave out of SPI
- MOSI: Master out slave in of SPI

**3.4.2 Logic levels of peripheral interfaces**

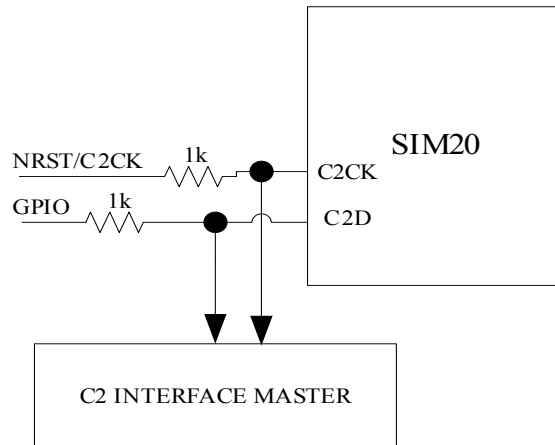
**Table 5: Logic levels of serial interfaces**

Parameter	Min	Max	Unit
Logic low input	—	0.6V	V
Logic high input	VCC-0.6V	—	V
Logic low output	—	0.6V	V
Logic high output	VCC-0.7V	—	V

*(1).The operation voltage VCC is 3.3V.*

### 3.4.3 Software upgrade

SIM20 software can be upgraded by C2 interface, as following figure.



**Figure 8: C2 interface software upgrade**

### 3.5 General purpose input and output

SIM20 provides three asynchronous interfaces: URAT, IIC and SPI. All hardware interfaces are described in detail in following chapters.

**Table 6: GPIO of SIM20**

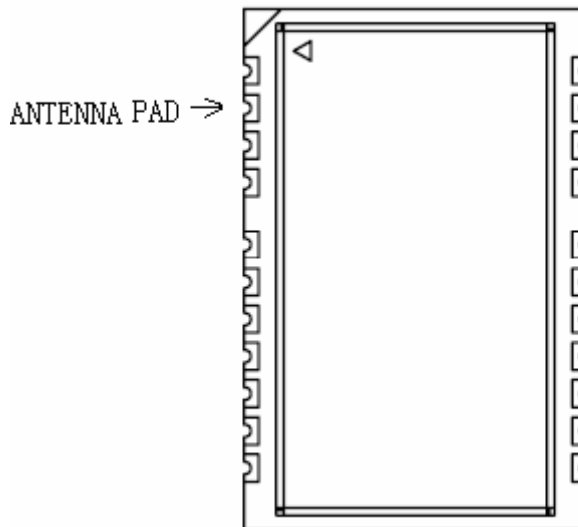
Pad	Name	I/O	Typical	Alternate	Description
6	SCLK	I/O	GPIO	Clock of SPI	General purpose input and output
7	MISO	I/O	GPIO	Master in slave out of SPI	
8	MOSI	I/O	GPIO	Master out slave in of SPI	
9	NSS	I/O	GPIO	Slave select input of SPI	
11	C2D	I/O	Data signal for the C2 debug interface	GPIO	
12	SCK	I/O	GPIO	IIC clock	General purpose input and output
13	SDA	I/O	GPIO	IIC data	
14	RXD	I	Receive data	GPIO	
15	TXD	O	Transmit Data	GPIO	



## 4 Antenna interface

### 4.1 Antenna installation

The RF interface has an impedance of  $50\Omega$ . To suit the physical design of individual applications SIM20 has ANT pad which can be connected to antenna or antenna connector, as following figure.



**Figure 9: ANTENNA PAD**

When you layout the lines to antenna, keep the impedance of the microstrip-line to be  $50\Omega$ . And also keep the antenna input impedance to be  $50\Omega$ . To minimize the loss, keep the ground out of the microstrip-line at least twice the width of the microstrip-line.

When you layout the line to an antenna connector, using RF cable to connect antenna, it needs to be very careful to choose RF cable. It is recommended that the insertion loss should meet the following requirement:

433 MHz-434.79 MHz <0.3 dB

863 MHz-870 MHz < 0.5 dB

902 MHz-928 MHz <0.5 dB

### 4.2 Module RF output power

The output power can be programmable from 9dbm to 18dBm in 4 levels. It can be easily set in SIM20's demon software. And the power can be set as the following table.

**Table 7: SIM20 RF output power**

Frequency	Power
433MHz	18dBm Max Output Power, configurable 9 to 18dBm
863MHz	Level 0: 9dBm
	Level 1: 12dBm
	Level 2: 15dBm
902MHz	Level 3: 18dBm

### 4.3 Module RF receive sensitivity

**Table 8: SIM20 RF receive sensitivity**

Frequency	Conductive Receive sensitivity
433MHz	-118dBm@2400bps,GFSK
863MHz	
902MHz	

### 4.4 Module related frequencies

**Table 9: SIM20 receive/transmit frequency**

Crystal Frequency	Receive Frequency	IF Frequency
30MHz	433MHz – 434.79MHz	937.5KHz
	863MHz – 870MHz	
	902MHz – 928MHz	

## 5 Electrical, reliability and radio characteristics

### 5.1 Absolute maximum ratings

Absolute maximum rating for power supply and voltage on digital and analog pads of SIM20 are listed in following table.

**Table 10: Absolute maximum ratings**

Parameter	Min	Max	Unit
Peak current of power supply	0	80	mA
RMS current of power supply	0	30	mA
Voltage at digit pads	0	5.8	V
Voltage at analog pads	0	5.8	V

### 5.2 Operating temperatures

The operating temperature is listed in following table:

**Table 11: SIM20 operating temperature**

Parameter	Min	Typ	Max	Unit
Operation temperature	-20	25	70	°C
Storage temperature	-40	25	85	°C

### 5.3 Power supply rating

**Table 12: SIM20 power supply rating**

Parameter	Description	Conditions	Min	Typ	Max	Unit
VCC	Supply voltage	Voltage must stay within the min/max values, including voltage drop, ripple, and spikes.	3.0	3.3	3.6	V
	Voltage drop during transmit burst	Normal condition, power output max		14		mV
Ivcc	TX mode	RMS current		35		mA
	RX mode	RMS current		26		mA
	Peak supply current	80mA@18dBm (peak value)		80		mA

## 5.4 Electro-Static discharge

The SIM20 module is subjected to ESD handling precautions that typically apply to ESD sensitive components. Proper ESD handling and packaging procedures must be applied throughout the processing, handling and operation of any application using a SIM20 module.

It is strongly recommended that equipping some clamp diodes to protect most peripheral interfaces of SIM20 from over voltage. And the measured values are shown as the following table:

**Table 13: The ESD endure statue measured table**

Part	Contact discharge	Air discharge
VBAT,GND, Antenna interface	±5KV	±10KV
NSS, MOSI, MISO, SCLK, SDA, SCK, RXD, TXD, NRST, C2D.	±2KV	±4KV

*Note : Temperature: 25 °C, Humidity: 45%*

## 6 Mechanical dimensions of module

Following diagrams show the mechanical dimensions of SIM20.

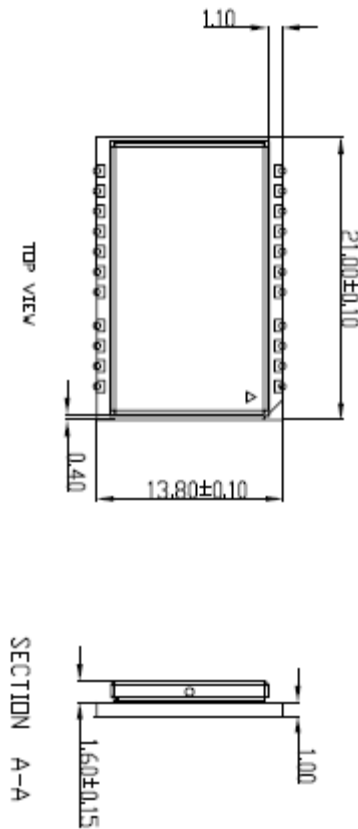


Figure 10: Mechanical drawings of SIM20 (Unit: mm)

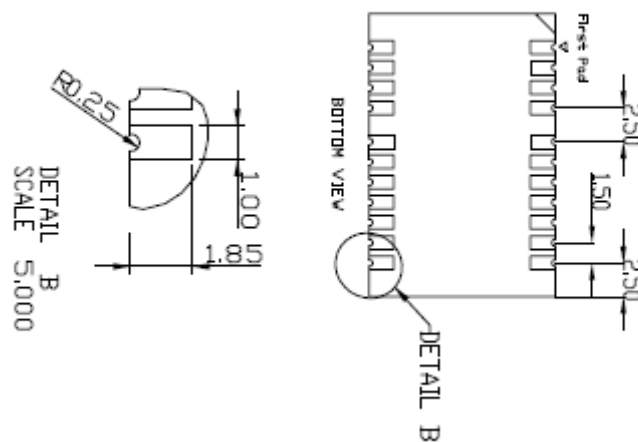


Figure 11: SIM20 bottom view (Unit: mm)

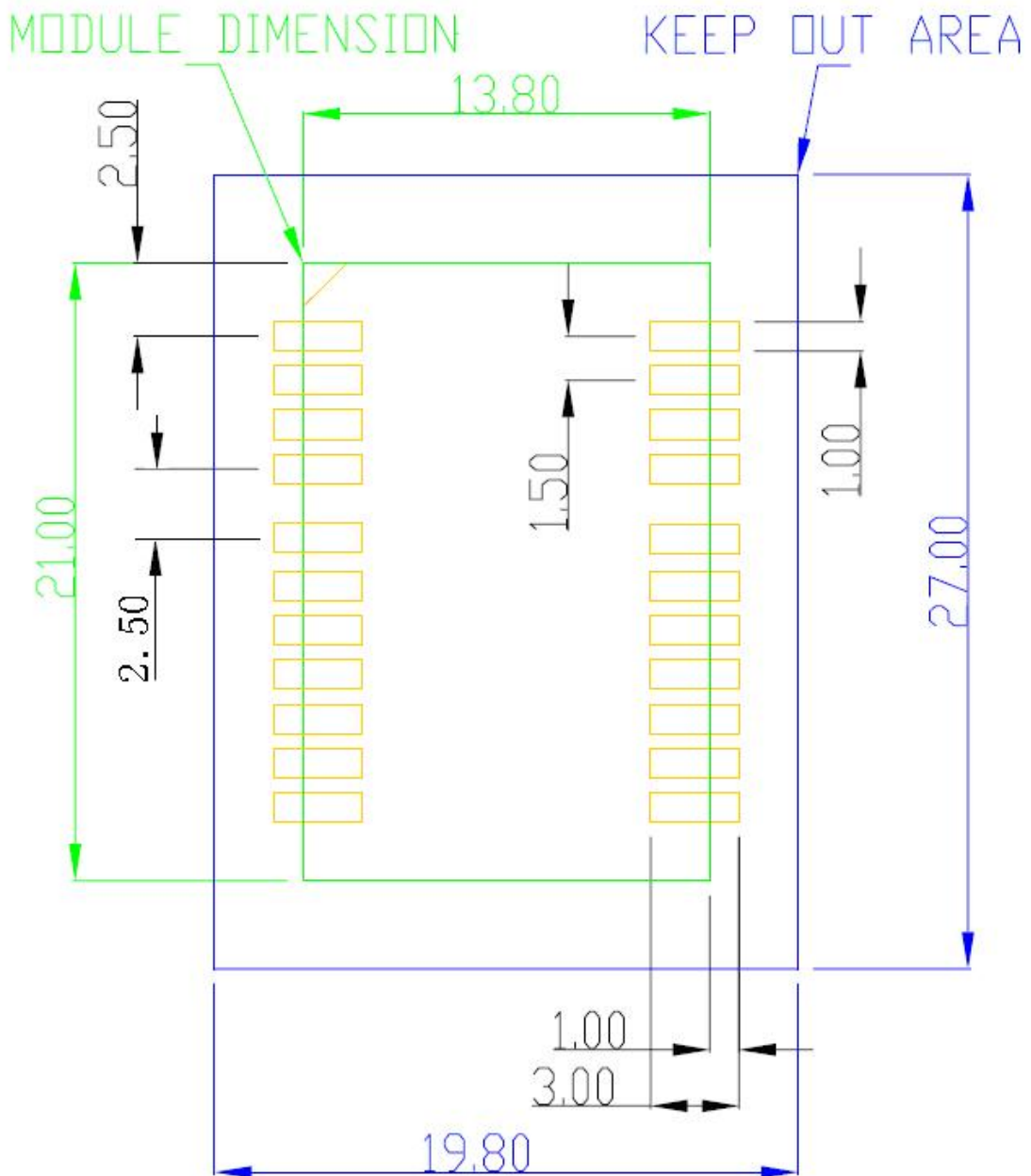


Figure 12: Footprint recommendation (Unit: mm)

*Note: To maintain this module, the placement must be kept a distance between the module and other component for about 3 mm, and the height of near components must be less than 16mm.*

## 7 The ramp-soak-spike reflow profile of SIM20

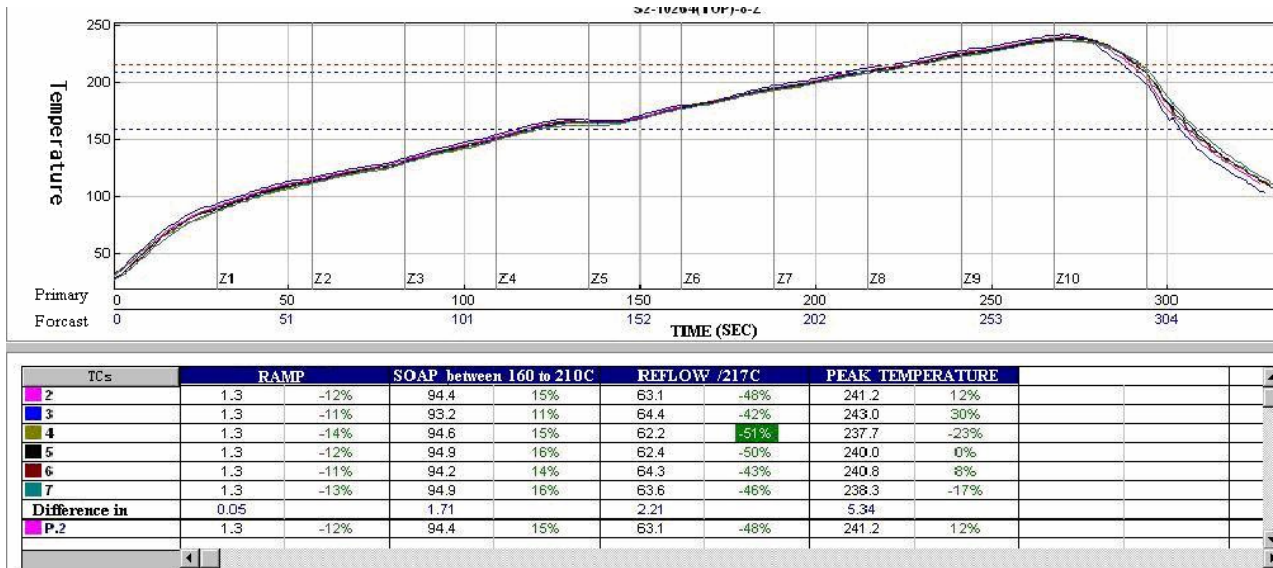


Figure 13: The ramp-soak-spike reflow profile of SIM20

**Contact us:**

**Shanghai SIMCom Wireless Solutions Ltd.**

Add: SIM Technology Building, No.633, Jinzhong Road, Changning District,  
Shanghai, P. R. China 200335

Tel: +86 21 3252 3300

Fax: +86 21 3252 3020

URL: [www.sim.com/wm](http://www.sim.com/wm)