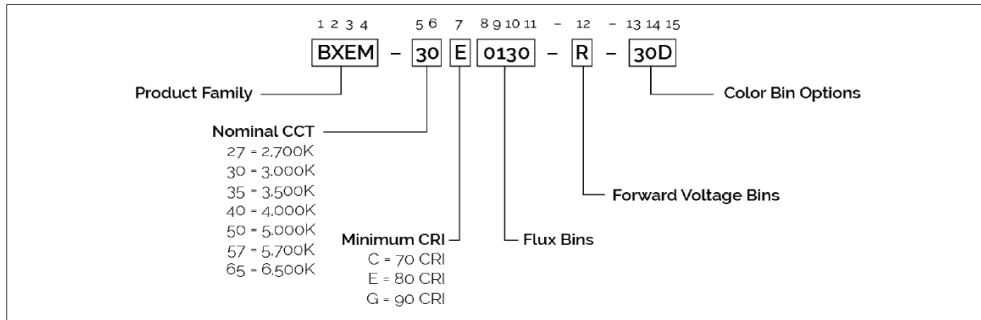


Refer to relevant product data sheets for specific information on application and performance.
 Product Data sheets available at Bridgelux.com or from Bridgelux Sales Representatives.
 The tables below include the base BXEM and BXEN part number which defines color (CCT), color rendering (CRI) and flux characteristics.

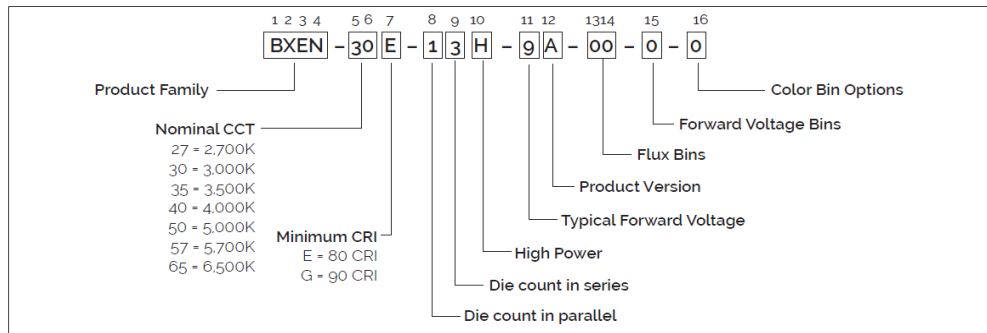
Product Nomenclature – BXEM (3030 1W 6V) Series Part Numbers

The part number designation for Bridgelux SMD 3030 is explained as follows:



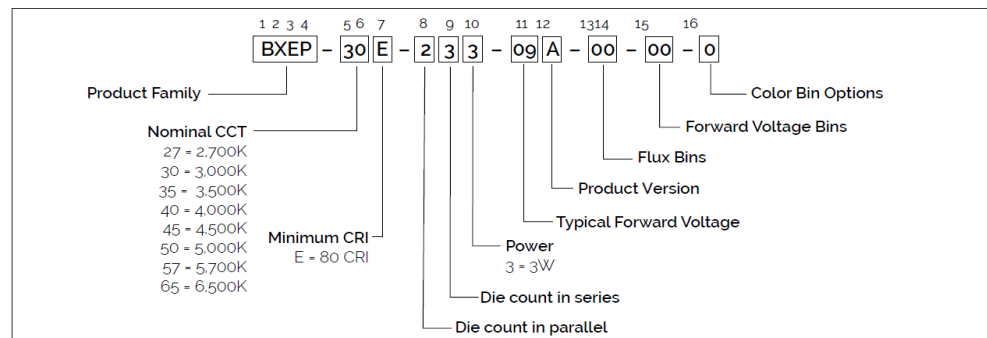
Product Nomenclature – BXEN (2835) Series Part Numbers (SMD3030 3V same structure)

The part number designation for Bridgelux SMD 2835 is explained as follows:



Product Nomenclature – BXEP (5050) Series Part Numbers

The part number designation for Bridgelux SMD 5050 is explained as follows:



Form Factor	Part Number	CCT (Nominal)	CRI (min)	Current (mA)	Rated Current	Typical Pulsed Flux T _c 25°C (lm)	V _f T _c 25°C (V)	Power T _c 25°C (W)	Typical Efficacy T _c 25°C (lm/W)	Thermal Resistance Junction to Case ¹ (C/W)	Typical DC Flux T _c 85°C (lm)	V _f T _c 85°C (v)	Power T _c 85°C (W)	Typical Efficacy T _c 85°C (lm/W)	Data Sheet
3030 1W 6V	BXEM-27C0000-0-000	2700K	70	30	0.2x	28	5.5	0.2	171	-	24	5.3	0.2	153	DS51
				60	0.4x	55	5.7	0.3	159	-	47	5.5	0.3	143	
				100	0.7x	87	6.0	0.6	145	-	74	5.8	0.6	128	
				150	1x	123	6.25	0.9	131	12	102	6.0	0.9	113	
				200	1.3x	156	6.5	1.3	119	-	124	6.3	1.3	98	
				240	1.6x	179	6.7	1.6	111	-	138	6.5	1.6	88	
3030 1W 6V	BXEM-27E0000-0-000	2700K	80	30	0.2x	27	5.5	0.2	163	-	24	5.3	0.2	149	DS51
				60	0.4x	52	5.7	0.3	152	-	46	5.5	0.3	140	
				100	0.7x	82	6.0	0.6	138	-	72	5.8	0.6	125	
				150	1x	117	6.25	0.9	125	12	99	6.0	0.9	111	
				200	1.3x	148	6.5	1.3	114	-	121	6.3	1.3	96	
				240	1.6x	170	6.7	1.6	106	-	134	6.5	1.6	86	
3030 1W 6V	BXEM-27G0000-0-000	2700K	90	30	0.2x	22	5.5	0.2	136	-	20	5.3	0.2	125	DS51
				60	0.4x	43	5.7	0.3	127	-	39	5.5	0.3	117	
				100	0.7x	69	6.0	0.6	116	-	60	5.8	0.6	105	
				150	1x	98	6.25	0.9	105	12	83	6.0	0.9	93	
				200	1.3x	124	6.5	1.3	95	-	101	6.3	1.3	80	
				240	1.6x	142	6.7	1.6	88	-	112	6.5	1.6	72	
3030 1W 6V	BXEM-30C0000-0-000	3000K	70	30	0.2x	29	5.5	0.2	175	-	25	5.3	0.2	157	DS51
				60	0.4x	56	5.7	0.3	163	-	49	5.5	0.3	147	
				100	0.7x	89	6.0	0.6	149	-	76	5.8	0.6	131	
				150	1x	126	6.25	0.9	134	12	105	6.0	0.9	116	
				200	1.3x	159	6.5	1.3	122	-	127	6.3	1.3	100	
				240	1.6x	183	6.7	1.6	114	-	141	6.5	1.6	90	
3030 1W 6V	BXEM-30E0000-0-000	3000K	80	30	0.2x	28	5.5	0.2	171	-	25	5.3	0.2	157	DS51
				60	0.4x	55	5.7	0.3	159	-	49	5.5	0.3	147	
				100	0.7x	87	6.0	0.6	145	-	76	5.8	0.6	131	
				150	1x	123	6.25	0.9	131	12	105	6.0	0.9	116	
				200	1.3x	156	6.5	1.3	119	-	127	6.3	1.3	100	
				240	1.6x	179	6.7	1.6	111	-	141	6.5	1.6	90	
3030 1W 6V	BXEM-30G0000-0-000	3000K	90	30	0.2x	23	5.5	0.2	143	-	21	5.3	0.2	131	DS51
				60	0.4x	46	5.7	0.3	134	-	41	5.5	0.3	123	
				100	0.7x	73	6.0	0.6	122	-	64	5.8	0.6	110	
				150	1x	103	6.25	0.9	110	12	88	6.0	0.9	97	
				200	1.3x	130	6.5	1.3	100	-	107	6.3	1.3	84	
				240	1.6x	150	6.7	1.6	93	-	118	6.5	1.6	75	
3030 1W 6V	BXEM-35C0000-0-000	3500K	70	30	0.2x	29	5.5	0.2	179	-	26	5.3	0.2	163	DS51
				60	0.4x	57	5.7	0.3	167	-	50	5.5	0.3	152	
				100	0.7x	91	6.0	0.6	153	-	79	5.8	0.6	136	
				150	1x	129	6.25	0.9	138	12	108	6.0	0.9	120	
				200	1.3x	163	6.5	1.3	125	-	132	6.3	1.3	104	
				240	1.6x	187	6.7	1.6	116	-	146	6.5	1.6	93	
3030 1W 6V	BXEM-35E0000-0-000	3500K	80	30	0.2x	28	5.5	0.2	174	-	25	5.3	0.2	158	DS51
				60	0.4x	55	5.7	0.3	162	-	49	5.5	0.3	147	
				100	0.7x	88	6.0	0.6	148	-	76	5.8	0.6	132	
				150	1x	125	6.25	0.9	133	12	105	6.0	0.9	117	
				200	1.3x	158	6.5	1.3	121	-	128	6.3	1.3	101	
				240	1.6x	182	6.7	1.6	113	-	142	6.5	1.6	90	
3030 1W 6V	BXEM-35G0000-0-000	3500K	90	30	0.2x	24	5.5	0.2	146	-	21	5.3	0.2	136	DS51
				60	0.4x	47	5.7	0.3	136	-	42	5.5	0.3	127	
				100	0.7x	74	6.0	0.6	124	-	66	5.8	0.6	113	
				150	1x	105	6.25	0.9	112	12	90	6.0	0.9	100	
				200	1.3x	133	6.5	1.3	102	-	110	6.3	1.3	87	
				240	1.6x	153	6.7	1.6	95	-	122	6.5	1.6	78	

Form Factor	Part Number	CCT (Nominal)	CRI (min)	Current (mA)	Rated Current	Typical Pulsed Flux T _c 25°C (lm)	V _f T _c 25°C (V)	Power T _c 25°C (W)	Typical Efficacy T _c 25°C (lm/W)	Thermal Resistance Junction to Case ¹ (C/W)	Typical DC Flux T _c 85°C (lm)	V _f T _c 85°C (v)	Power T _c 85°C (W)	Typical Efficacy T _c 85°C (lm/W)	Data Sheet
3030 1W 6V	BXEM-40C0000-0-000	4000K	70	30	0.2x	30	5.5	0.2	185	-	27	5.3	0.2	168	DS51
				60	0.4x	59	5.7	0.3	172	-	52	5.5	0.3	157	
				100	0.7x	94	6.0	0.6	157	-	81	5.8	0.6	140	
				150	1x	133	6.25	0.9	142	12	112	6.0	0.9	124	
				200	1.3x	168	6.5	1.3	129	-	136	6.3	1.3	107	
				240	1.6x	193	6.7	1.6	120	-	151	6.5	1.6	96	
3030 1W 6V	BXEM-40E0000-0-000	4000K	80	30	0.2x	29	5.5	0.2	176	-	25	5.3	0.2	160	DS51
				60	0.4x	56	5.7	0.3	165	-	50	5.5	0.3	150	
				100	0.7x	90	6.0	0.6	150	-	77	5.8	0.6	134	
				150	1x	127	6.25	0.9	135	12	107	6.0	0.9	119	
				200	1.3x	161	6.5	1.3	123	-	130	6.3	1.3	103	
				240	1.6x	185	6.7	1.6	115	-	144	6.5	1.6	92	
3030 1W 6V	BXEM-40G0000-0-000	4000K	90	30	0.2x	25	5.5	0.2	150	-	22	5.3	0.2	139	DS51
				60	0.4x	48	5.7	0.3	140	-	43	5.5	0.3	130	
				100	0.7x	76	6.0	0.6	128	-	67	5.8	0.6	117	
				150	1x	108	6.25	0.9	115	12	93	6.0	0.9	103	
				200	1.3x	137	6.5	1.3	105	-	113	6.3	1.3	89	
				240	1.6x	157	6.7	1.6	97	-	125	6.5	1.6	80	
3030 1W 6V	BXEM-50C0000-0-000	5000K	70	30	0.2x	30	5.5	0.2	185	-	27	5.3	0.2	170	DS51
				60	0.4x	59	5.7	0.3	172	-	53	5.5	0.3	159	
				100	0.7x	94	6.0	0.6	157	-	82	5.8	0.6	142	
				150	1x	133	6.25	0.9	142	12	113	6.0	0.9	126	
				200	1.3x	168	6.5	1.3	129	-	138	6.3	1.3	109	
				240	1.6x	193	6.7	1.6	120	-	152	6.5	1.6	97	
3030 1W 6V	BXEM-50E0000-0-000	5000K	80	30	0.2x	29	5.5	0.2	176	-	25	5.3	0.2	160	DS51
				60	0.4x	56	5.7	0.3	165	-	50	5.5	0.3	150	
				100	0.7x	90	6.0	0.6	150	-	77	5.8	0.6	134	
				150	1x	127	6.25	0.9	135	12	107	6.0	0.9	119	
				200	1.3x	161	6.5	1.3	123	-	130	6.3	1.3	103	
				240	1.6x	185	6.7	1.6	115	-	144	6.5	1.6	92	
3030 1W 6V	BXEM-50G0000-0-000	5000K	90	30	0.2x	25	5.5	0.2	150	-	22	5.3	0.2	138	DS51
				60	0.4x	48	5.7	0.3	140	-	43	5.5	0.3	129	
				100	0.7x	76	6.0	0.6	128	-	67	5.8	0.6	115	
				150	1x	108	6.25	0.9	115	12	92	6.0	0.9	102	
				200	1.3x	137	6.5	1.3	105	-	112	6.3	1.3	88	
				240	1.6x	157	6.7	1.6	97	-	124	6.5	1.6	79	
3030 1W 6V	BXEM-57C0000-0-000	5700K	70	30	0.2x	30	5.5	0.2	185	-	27	5.3	0.2	170	DS51
				60	0.4x	59	5.7	0.3	172	-	53	5.5	0.3	159	
				100	0.7x	94	6.0	0.6	157	-	82	5.8	0.6	142	
				150	1x	133	6.25	0.9	142	12	113	6.0	0.9	126	
				200	1.3x	168	6.5	1.3	129	-	138	6.3	1.3	109	
				240	1.6x	193	6.7	1.6	120	-	152	6.5	1.6	97	
3030 1W 6V	BXEM-57E0000-0-000	5700K	80	30	0.2x	29	5.5	0.2	176	-	25	5.3	0.2	160	DS51
				60	0.4x	56	5.7	0.3	165	-	50	5.5	0.3	150	
				100	0.7x	90	6.0	0.6	150	-	77	5.8	0.6	134	
				150	1x	127	6.25	0.9	135	12	107	6.0	0.9	119	
				200	1.3x	161	6.5	1.3	123	-	130	6.3	1.3	103	
				240	1.6x	185	6.7	1.6	115	-	144	6.5	1.6	92	
3030 1W 6V	BXEM-57G0000-0-000	5700K	90	30	0.2x	25	5.5	0.2	150	-	22	5.3	0.2	138	DS51
				60	0.4x	48	5.7	0.3	140	-	43	5.5	0.3	129	
				100	0.7x	76	6.0	0.6	128	-	67	5.8	0.6	115	
				150	1x	108	6.25	0.9	115	12	92	6.0	0.9	102	
				200	1.3x	137	6.5	1.3	105	-	112	6.3	1.3	88	
				240	1.6x	157	6.7	1.6	97	-	124	6.5	1.6	79	

Form Factor	Part Number	CCT (Nominal)	CRI (min)	Current (mA)	Rated Current	Typical Pulsed Flux T _c 25°C (lm)	V _f T _c 25°C (V)	Power T _c 25°C (W)	Typical Efficacy T _c 25°C (lm/W)	Thermal Resistance Junction to Case ¹ (C/W)	Typical DC Flux T _c 85°C (lm)	V _f T _c 85°C (v)	Power T _c 85°C (W)	Typical Efficacy T _c 85°C (lm/W)	Data Sheet
3030 1W 6V	BXEM-65C0000-0-000	6500K	70	30	0.2x	30	5.5	0.2	185	-	27	5.3	0.2	170	DS51
				60	0.4x	59	5.7	0.3	172	-	53	5.5	0.3	159	
				100	0.7x	94	6.0	0.6	157	-	82	5.8	0.6	142	
				150	1x	133	6.25	0.9	142	12	113	6.0	0.9	126	
				200	1.3x	168	6.5	1.3	129	-	138	6.3	1.3	109	
				240	1.6x	193	6.7	1.6	120	-	152	6.5	1.6	97	
3030 1W 6V	BXEM-65E0000-0-000	6500K	80	30	0.2x	29	5.5	0.2	175	-	25	5.3	0.2	157	DS51
				60	0.4x	56	5.7	0.3	163	-	49	5.5	0.3	147	
				100	0.7x	89	6.0	0.6	149	-	76	5.8	0.6	131	
				150	1x	126	6.25	0.9	134	12	105	6.0	0.9	116	
				200	1.3x	159	6.5	1.3	122	-	127	6.3	1.3	100	
				240	1.6x	183	6.7	1.6	114	-	141	6.5	1.6	90	
3030 1W 6V	BXEM-65G0000-0-000	6500K	90	30	0.2x	25	5.5	0.2	150	-	22	5.3	0.2	138	DS51
				60	0.4x	48	5.7	0.3	140	-	43	5.5	0.3	129	
				100	0.7x	76	6.0	0.6	128	-	67	5.8	0.6	115	
				150	1x	108	6.25	0.9	115	12	92	6.0	0.9	102	
				200	1.3x	137	6.5	1.3	105	-	112	6.3	1.3	88	
				240	1.6x	157	6.7	1.6	97	-	124	6.5	1.6	79	

Form Factor	Part Number	CCT (Nominal)	CRI (min)	Current (mA)	Rated Current	Typical Pulsed Flux T _c 25°C (lm)	V _f T _c 25°C (V)	Power T _c 25°C (W)	Typical Efficacy T _c 25°C (lm/W)	Thermal Resistance Junction to Case ¹ (C/W)	Typical DC Flux T _c 85°C (lm)	V _f T _c 85°C (v)	Power T _c 85°C (W)	Typical Efficacy T _c 85°C (lm/W)	Data Sheet
3030 1W 3V	BXEM-27C-21H-3A-00-0-0	2700K	70	60	0.2x	28	2.8	0.2	168	-	24	2.6	0.2	155	DS66
				120	0.4x	54	2.9	0.3	156	-	47	2.7	0.3	145	
				200	0.7x	86	3.1	0.6	142	-	74	2.9	0.6	129	
				300	1x	123	3.2	1.0	128	12	102	3.0	0.9	113	
				400	1.3x	153	3.4	1.3	114	-	124	3.2	1.3	98	
3030 1W 3V	BXEM-27E-21H-3A-00-0-0	2700K	80	60	0.2x	27	2.8	0.2	160	-	24	2.6	0.2	151	DS66
				120	0.4x	52	2.9	0.3	148	-	46	2.7	0.3	141	
				200	0.7x	82	3.1	0.6	135	-	72	2.9	0.6	126	
				300	1x	117	3.2	1.0	122	12	99	3.0	0.9	110	
				400	1.3x	145	3.4	1.3	108	-	121	3.2	1.3	95	
3030 1W 3V	BXEM-27G-21H-3A-00-0-0	2700K	90	60	0.2x	22	2.8	0.2	134	-	20	2.6	0.2	126	DS66
				120	0.4x	43	2.9	0.3	124	-	39	2.7	0.3	118	
				200	0.7x	69	3.1	0.6	113	-	60	2.9	0.6	105	
				300	1x	98	3.2	1.0	102	12	83	3.0	0.9	92	
				400	1.3x	122	3.4	1.3	91	-	101	3.2	1.3	80	
3030 1W 3V	BXEM-30C-21H-3A-00-0-0	3000K	70	60	0.2x	29	2.8	0.2	172	-	25	2.6	0.2	158	DS66
				120	0.4x	56	2.9	0.3	159	-	49	2.7	0.3	148	
				200	0.7x	89	3.1	0.6	145	-	76	2.9	0.6	132	
				300	1x	126	3.2	1.0	131	12	105	3.0	0.9	115	
				400	1.6x	157	3.4	1.3	117	-	141	3.2	1.3	111	
3030 1W 3V	BXEM-30E-21H-3A-00-0-0	3000K	80	60	0.2x	28	2.8	0.2	168	-	25	2.6	0.2	158	DS66
				120	0.4x	54	2.9	0.3	156	-	49	2.7	0.3	148	
				200	0.7x	86	3.1	0.6	142	-	76	2.9	0.6	132	
				300	1x	123	3.2	1.0	128	12	105	3.0	0.9	115	
				400	1.3x	153	3.4	1.3	114	-	127	3.2	1.3	100	
3030 1W 3V	BXEM-30G-21H-3A-00-0-0	3000K	90	60	0.2x	24	2.8	0.2	141	-	21	2.6	0.2	133	DS66
				120	0.4x	46	2.9	0.3	130	-	41	2.7	0.3	124	
				200	0.7x	72	3.1	0.6	119	-	64	2.9	0.6	111	
				300	1x	103	3.2	1.0	107	12	88	3.0	0.9	97	
				400	1.3x	128	3.4	1.3	95	-	107	3.2	1.3	84	
3030 1W 3V	BXEM-35C-21H-3A-00-0-0	3500K	70	60	0.2x	30	2.8	0.2	177	-	26	2.6	0.2	164	DS66
				120	0.4x	57	2.9	0.3	163	-	50	2.7	0.3	154	
				200	0.7x	91	3.1	0.6	148	-	79	2.9	0.6	137	
				300	1x	129	3.2	1.0	134	12	108	3.0	0.9	120	
				400	1.3x	160	3.4	1.3	120	-	132	3.2	1.3	104	
3030 1W 3V	BXEM-35E-21H-3A-00-0-0	3500K	80	60	0.2x	29	2.8	0.2	171	-	25	2.6	0.2	159	DS66
				120	0.4x	55	2.9	0.3	158	-	49	2.7	0.3	149	
				200	0.7x	88	3.1	0.6	144	-	76	2.9	0.6	133	
				300	1x	125	3.2	1.0	130	12	105	3.0	0.9	116	
				400	1.3x	155	3.4	1.3	116	-	128	3.2	1.3	101	
3030 1W 3V	BXEM-35G-21H-3A-00-0-0	3500K	90	60	0.2x	24	2.8	0.2	144	-	21	2.6	0.2	137	DS66
				120	0.4x	46	2.9	0.3	133	-	42	2.7	0.3	128	
				200	0.7x	74	3.1	0.6	121	-	66	2.9	0.6	114	
				300	1x	105	3.2	1.0	109	12	90	3.0	0.9	100	
				400	1.3x	130	3.4	1.3	97	-	110	3.2	1.3	87	

Form Factor	Part Number	CCT (Nominal)	CRI (min)	Current (mA)	Rated Current	Typical Pulsed Flux T _c 25°C (lm)	V _f T _c 25°C (V)	Power T _c 25°C (W)	Typical Efficacy T _c 25°C (lm/W)	Thermal Resistance Junction to Case ¹ (C/W)	Typical DC Flux T _c 85°C (lm)	V _f T _c 85°C (v)	Power T _c 85°C (W)	Typical Efficacy T _c 85°C (lm/W)	Data Sheet
3030 1W 3V	BXEM-40C-21H-3A-00-0-0	4000K	70	60	0.2x	31	2.8	0.2	182	-	26	2.6	0.2	168	DS66
				120	0.4x	59	2.9	0.3	168	-	52	2.7	0.3	157	
				200	0.7x	93	3.1	0.6	153	-	81	2.9	0.6	142	
				300	1x	133	3.2	1.0	139	12	112	3.0	0.9	123	
				400	1.3x	165	3.4	1.3	123	-	137	3.2	1.3	108	
3030 1W 3V	BXEM-40E-21H-3A-00-0-0	4000K	80	60	0.2x	29	2.8	0.2	174	-	25	2.6	0.2	160	DS66
				120	0.4x	56	2.9	0.3	161	-	49	2.7	0.3	150	
				200	0.7x	89	3.1	0.6	146	-	78	2.9	0.6	135	
				300	1x	127	3.2	1.0	132	12	107	3.0	0.9	118	
				400	1.3x	158	3.4	1.3	118	-	131	3.2	1.3	103	
3030 1W 3V	BXEM-40G-21H-3A-00-0-0	4000K	90	60	0.2x	25	2.8	0.2	148	-	22	2.6	0.2	140	DS66
				120	0.4x	48	2.9	0.3	137	-	43	2.7	0.3	131	
				200	0.7x	76	3.1	0.6	124	-	68	2.9	0.6	118	
				300	1x	108	3.2	1.0	113	12	93	3.0	0.9	103	
				400	1.3x	134	3.4	1.3	100	-	114	3.2	1.3	90	
3030 1W 3V	BXEM-50C-21H-3A-00-0-0	5000K	70	60	0.2x	31	2.8	0.2	182	-	27	2.6	0.2	170	DS66
				120	0.4x	59	2.9	0.3	168	-	52	2.7	0.3	159	
				200	0.7x	93	3.1	0.6	153	-	82	2.9	0.6	143	
				300	1x	133	3.2	1.0	139	12	113	3.0	0.9	125	
				400	1.3x	165	3.4	1.3	123	-	139	3.2	1.3	109	
3030 1W 3V	BXEM-50E-21H-3A-00-0-0	5000K	80	60	0.2x	29	2.8	0.2	174	-	25	2.6	0.2	160	DS66
				120	0.4x	56	2.9	0.3	161	-	49	2.7	0.3	150	
				200	0.7x	89	3.1	0.6	146	-	78	2.9	0.6	135	
				300	1x	127	3.2	1.0	132	12	107	3.0	0.9	118	
				400	1.3x	158	3.4	1.3	118	-	131	3.2	1.3	103	
3030 1W 3V	BXEM-50G-21H-3A-00-0-0	5000K	90	60	0.2x	25	2.8	0.2	148	-	22	2.6	0.2	138	DS66
				120	0.4x	48	2.9	0.3	137	-	42	2.7	0.3	129	
				200	0.7x	76	3.1	0.6	124	-	67	2.9	0.6	116	
				300	1x	108	3.2	1.0	113	12	92	3.0	0.9	101	
				400	1.3x	134	3.4	1.3	100	-	113	3.2	1.3	89	
3030 1W 3V	BXEM-57C-21H-3A-00-0-0	5700K	70	60	0.2x	31	2.8	0.2	182	-	27	2.6	0.2	170	DS66
				120	0.4x	59	2.9	0.3	168	-	52	2.7	0.3	159	
				200	0.7x	93	3.1	0.6	153	-	82	2.9	0.6	143	
				300	1x	133	3.2	1.0	139	12	113	3.0	0.9	125	
				400	1.3x	165	3.4	1.3	123	-	139	3.2	1.3	109	
3030 1W 3V	BXEM-57E-21H-3A-00-0-0	5700K	80	60	0.2x	29	2.8	0.2	174	-	25	2.6	0.2	160	DS66
				120	0.4x	56	2.9	0.3	161	-	49	2.7	0.3	150	
				200	0.7x	89	3.1	0.6	146	-	78	2.9	0.6	135	
				300	1x	127	3.2	1.0	132	12	107	3.0	0.9	118	
				400	1.3x	158	3.4	1.3	118	-	131	3.2	1.3	103	
3030 1W 3V	BXEM-57G-21H-3A-00-0-0	5700K	90	60	0.2x	25	2.8	0.2	148	-	22	2.6	0.2	138	DS66
				120	0.4x	48	2.9	0.3	137	-	42	2.7	0.3	129	
				200	0.7x	76	3.1	0.6	124	-	67	2.9	0.6	116	
				300	1x	108	3.2	1.0	113	12	92	3.0	0.9	101	
				400	1.3x	134	3.4	1.3	100	-	113	3.2	1.3	89	

Form Factor	Part Number	CCT (Nominal)	CRI (min)	Current (mA)	Rated Current	Typical Pulsed Flux T _c 25°C (lm)	V _f T _c 25°C (V)	Power T _c 25°C (W)	Typical Efficacy T _c 25°C (lm/W)	Thermal Resistance Junction to Case ¹ (C/W)	Typical DC Flux T _c 85°C (lm)	V _f T _c 85°C (v)	Power T _c 85°C (W)	Typical Efficacy T _c 85°C (lm/W)	Data Sheet
3030 1W 3V	BXEM-65C-21H-3A-00-0-0	6500K	70	60	0.2x	31	2.8	0.2	182	-	27	2.6	0.2	170	DS66
				120	0.4x	59	2.9	0.3	168	-	52	2.7	0.3	159	
				200	0.7x	93	3.1	0.6	153	-	82	2.9	0.6	143	
				300	1x	133	3.2	1.0	139	12	113	3.0	0.9	125	
				400	1.3x	165	3.4	1.3	123	-	139	3.2	1.3	109	
3030 1W 3V	BXEM-65E-21H-3A-00-0-0	6500K	80	60	0.2x	29	2.8	0.2	172	-	25	2.6	0.2	157	DS66
				120	0.4x	56	2.9	0.3	159	-	48	2.7	0.3	147	
				200	0.7x	89	3.1	0.6	145	-	76	2.9	0.6	133	
				300	1x	126	3.2	1.0	131	12	105	3.0	0.9	115	
				400	1.3x	157	3.4	1.3	117	-	128	3.2	1.3	101	
3030 1W 3V	BXEM-65G-21H-3A-00-0-0	6500K	90	60	0.2x	25	2.8	0.2	148	-	22	2.6	0.2	138	DS66
				120	0.4x	48	2.9	0.3	137	-	42	2.7	0.3	129	
				200	0.7x	76	3.1	0.6	124	-	67	2.9	0.6	116	
				300	1x	108	3.2	1.0	113	12	92	3.0	0.9	101	
				400	1.3x	134	3.4	1.3	100	-	113	3.2	1.3	89	

Form Factor	Part Number	CCT (Nominal)	CRI (min)	Current (mA)	Rated Current	Typical Pulsed Flux T _c 25°C (lm)	V _f T _c 25°C (V)	Power T _c 25°C (W)	Typical Efficacy T _c 25°C (lm/W)	Thermal Resistance Junction to Case ¹ (C/W)	Typical DC Flux T _c 85°C (lm)	V _f T _c 85°C (v)	Power T _c 85°C (W)	Typical Efficacy T _c 85°C (lm/W)	Data Sheet
2835 0.2W 3V	BXEN-27E-11L-3A-00-0-0	2700K	80	20	0.3x	9	2.8	0.1	158	-	8	2.7	0.1	147	DS55
				30	0.5x	13	2.9	0.1	150	-	11	2.8	0.1	138	
				40	0.7x	17	2.9	0.1	143	-	15	2.8	0.1	131	
				60	1x	24	3.1	0.2	129	29	21	3.0	0.2	118	
				80	1.3x	31	3.2	0.3	122	-	27	3.1	0.2	107	
2835 0.2W 3V	BXEN-30E-11L-3A-00-0-0	3000K	80	20	0.3x	9	2.8	0.1	165	-	8	2.7	0.1	153	DS55
				30	0.5x	13	2.9	0.1	156	-	12	2.8	0.1	144	
				40	0.7x	18	2.9	0.1	149	-	15	2.8	0.1	136	
				60	1x	25	3.1	0.2	134	29	22	3.0	0.2	125	
				80	1.3x	33	3.2	0.3	127	-	28	3.1	0.2	111	
2835 0.2W 3V	BXEN-35E-11L-3A-00-0-0	3500K	80	20	0.3x	9	2.8	0.1	165	-	8	2.7	0.1	153	DS55
				30	0.5x	13	2.9	0.1	156	-	12	2.8	0.1	144	
				40	0.7x	18	2.9	0.1	149	-	15	2.8	0.1	136	
				60	1x	25	3.1	0.2	134	29	22	3.0	0.2	125	
				80	1.3x	33	3.2	0.3	127	-	28	3.1	0.2	111	
2835 0.2W 3V	BXEN-40E-11L-3A-00-0-0	4000K	80	20	0.3x	10	2.8	0.1	171	-	8	2.7	0.1	159	DS55
				30	0.5x	14	2.9	0.1	163	-	12	2.8	0.1	150	
				40	0.7x	18	2.9	0.1	155	-	16	2.8	0.1	142	
				60	1x	26	3.1	0.2	140	29	23	3.0	0.2	129	
				80	1.3x	34	3.2	0.3	132	-	29	3.1	0.2	116	
2835 0.2W 3V	BXEN-50E-11L-3A-00-0-0	5000K	80	20	0.3x	10	2.8	0.1	171	-	8	2.7	0.1	159	DS55
				30	0.5x	14	2.9	0.1	163	-	12	2.8	0.1	150	
				40	0.7x	18	2.9	0.1	155	-	16	2.8	0.1	142	
				60	1x	26	3.1	0.2	140	29	23	3.0	0.2	129	
				80	1.3x	34	3.2	0.3	132	-	29	3.1	0.2	116	
2835 0.2W 3V	BXEN-57E-11L-3A-00-0-0	5700K	80	20	0.3x	10	2.8	0.1	171	-	8	2.7	0.1	159	DS55
				30	0.5x	14	2.9	0.1	163	-	12	2.8	0.1	150	
				40	0.7x	18	2.9	0.1	155	-	16	2.8	0.1	142	
				60	1x	26	3.1	0.2	140	29	23	3.0	0.2	129	
				80	1.3x	34	3.2	0.3	132	-	29	3.1	0.2	116	
2835 0.2W 3V	BXEN-65E-11L-3A-00-0-0	6500K	80	20	0.3x	9	2.8	0.1	165	-	8	2.7	0.1	153	DS55
				30	0.5x	13	2.9	0.1	156	-	12	2.8	0.1	144	
				40	0.7x	18	2.9	0.1	149	-	15	2.8	0.1	136	
				60	1x	25	3.1	0.2	134	29	22	3.0	0.2	124	
				80	1.3x	33	3.2	0.3	127	-	28	3.1	0.2	111	

Form Factor	Part Number	CCT (Nominal)	CRI (min)	Current (mA)	Rated Current	Typical Pulsed Flux T _c 25°C (lm)	V _f T _c 25°C (V)	Power T _c 25°C (W)	Typical Efficacy T _c 25°C (lm/W)	Thermal Resistance Junction to Case ¹ (C/W)	Typical DC Flux T _c 85°C (lm)	V _f T _c 85°C (v)	Power T _c 85°C (W)	Typical Efficacy T _c 85°C (lm/W)	Data Sheet
2835 0.2W 3V Gen2	BXEN-27E-21L-3B-00-0-0	2700K	80	20	0.3x	9	2.6	0.1	175	-	9	2.6	0.1	166	DS65
				30	0.5x	14	2.7	0.1	173	-	13	2.6	0.1	165	
				40	0.7x	18	2.7	0.1	171	-	17	2.6	0.1	162	
				60	1x	27	2.8	0.2	165	8	25	2.7	0.2	155	
				80	1.3x	36	2.8	0.2	160	-	33	2.7	0.2	153	
2835 0.2W 3V Gen2	BXEN-30E-21L-3B-00-0-0	3000K	80	20	0.3x	10	2.6	0.1	190	-	9	2.6	0.1	180	DS65
				30	0.5x	15	2.7	0.1	187	-	14	2.6	0.1	178	
				40	0.7x	20	2.7	0.1	184	-	18	2.6	0.1	176	
				60	1x	29	2.8	0.2	178	8	27	2.7	0.2	168	
				80	1.3x	39	2.8	0.2	173	-	36	2.7	0.2	165	
2835 0.2W 3V Gen2	BXEN-35E-21L-3B-00-0-0	3500K	80	20	0.3x	10	2.6	0.1	190	-	9	2.6	0.1	180	DS65
				30	0.5x	15	2.7	0.1	187	-	14	2.6	0.1	178	
				40	0.7x	20	2.7	0.1	184	-	18	2.6	0.1	176	
				60	1x	29	2.8	0.2	178	8	27	2.7	0.2	168	
				80	1.3x	39	2.8	0.2	173	-	36	2.7	0.2	165	
2835 0.2W 3V Gen2	BXEN-40E-21L-3B-00-0-0	4000K	80	20	0.3x	10	2.6	0.1	197	-	10	2.6	0.1	186	DS65
				30	0.5x	15	2.7	0.1	194	-	14	2.6	0.1	185	
				40	0.7x	21	2.7	0.1	191	-	19	2.6	0.1	182	
				60	1x	31	2.8	0.2	185	8	28	2.7	0.2	174	
				80	1.3x	40	2.8	0.2	180	-	38	2.7	0.2	171	
2835 0.2W 3V Gen2	BXEN-50E-21L-3B-00-0-0	5000K	80	20	0.3x	10	2.6	0.1	194	-	9	2.6	0.1	184	DS65
				30	0.5x	15	2.7	0.1	192	-	14	2.6	0.1	182	
				40	0.7x	20	2.7	0.1	189	-	19	2.6	0.1	180	
				60	1x	30	2.8	0.2	182	8	28	2.7	0.2	172	
				80	1.3x	40	2.8	0.2	178	-	37	2.7	0.2	169	
2835 0.2W 3V Gen2	BXEN-57E-21L-3B-00-0-0	5700K	80	20	0.3x	10	2.6	0.1	194	-	9	2.6	0.1	184	DS65
				30	0.5x	15	2.7	0.1	192	-	14	2.6	0.1	182	
				40	0.7x	20	2.7	0.1	189	-	19	2.6	0.1	180	
				60	1x	30	2.8	0.2	182	8	28	2.7	0.2	172	
				80	1.3x	40	2.8	0.2	178	-	37	2.7	0.2	169	
2835 0.2W 3V Gen2	BXEN-65E-21L-3B-00-0-0	6500K	80	20	0.3x	10	2.6	0.1	194	-	9	2.6	0.1	184	DS65
				30	0.5x	15	2.7	0.1	192	-	14	2.6	0.1	182	
				40	0.7x	20	2.7	0.1	189	-	19	2.6	0.1	180	
				60	1x	30	2.8	0.2	182	8	28	2.7	0.2	172	
				80	1.3x	40	2.8	0.2	178	-	37	2.7	0.2	172	

Form Factor	Part Number	CCT (Nominal)	CRI (min)	Current (mA)	Rated Current	Typical Pulsed Flux T _c 25°C (lm)	V _f T _c 25°C (V)	Power T _c 25°C (W)	Typical Efficacy T _c 25°C (lm/W)	Thermal Resistance Junction to Case ¹ (C/W)	Typical DC Flux T _c 85°C (lm)	V _f T _c 85°C (v)	Power T _c 85°C (W)	Typical Efficacy T _c 85°C (lm/W)	Data Sheet
2835 0.2W 3V Gen2	BXEN-27E-11L-3C-00-0-0	2700K	80	20	0.3x	9	2.6	0.1	175	-	9	2.6	0.1	166	DS74
				30	0.5x	14	2.7	0.1	173	-	13	2.6	0.1	165	
				40	0.7x	18	2.7	0.1	171	-	17	2.6	0.1	162	
				60	1x	27	2.8	0.2	165	8	25	2.7	0.2	155	
				80	1.3x	36	2.8	0.2	160	-	33	2.7	0.2	153	
2835 0.2W 3V Gen2	BXEN-30E-11L-3C-00-0-0	3000K	80	20	0.3x	10	2.6	0.1	190	-	9	2.6	0.1	180	DS74
				30	0.5x	15	2.7	0.1	187	-	14	2.6	0.1	178	
				40	0.7x	20	2.7	0.1	184	-	18	2.6	0.1	176	
				60	1x	29	2.8	0.2	178	8	27	2.7	0.2	168	
				80	1.3x	39	2.8	0.2	173	-	36	2.7	0.2	165	
2835 0.2W 3V Gen2	BXEN-35E-11L-3C-00-0-0	3500K	80	20	0.3x	10	2.6	0.1	190	-	9	2.6	0.1	180	DS74
				30	0.5x	15	2.7	0.1	187	-	14	2.6	0.1	178	
				40	0.7x	20	2.7	0.1	184	-	18	2.6	0.1	176	
				60	1x	29	2.8	0.2	178	8	27	2.7	0.2	168	
				80	1.3x	39	2.8	0.2	173	-	36	2.7	0.2	165	
2835 0.2W 3V Gen2	BXEN-40E-11L-3C-00-0-0	4000K	80	20	0.3x	10	2.6	0.1	197	-	10	2.6	0.1	186	DS74
				30	0.5x	15	2.7	0.1	194	-	14	2.6	0.1	185	
				40	0.7x	21	2.7	0.1	191	-	19	2.6	0.1	182	
				60	1x	31	2.8	0.2	185	8	28	2.7	0.2	174	
				80	1.3x	40	2.8	0.2	180	-	38	2.7	0.2	171	
2835 0.2W 3V Gen2	BXEN-50E-11L-3C-00-0-0	5000K	80	20	0.3x	10	2.6	0.1	194	-	9	2.6	0.1	184	DS74
				30	0.5x	15	2.7	0.1	192	-	14	2.6	0.1	182	
				40	0.7x	20	2.7	0.1	189	-	19	2.6	0.1	180	
				60	1x	30	2.8	0.2	182	8	28	2.7	0.2	172	
				80	1.3x	40	2.8	0.2	178	-	37	2.7	0.2	169	
2835 0.2W 3V Gen2	BXEN-57E-11L-3C-00-0-0	5700K	80	20	0.3x	10	2.6	0.1	194	-	9	2.6	0.1	184	DS74
				30	0.5x	15	2.7	0.1	192	-	14	2.6	0.1	182	
				40	0.7x	20	2.7	0.1	189	-	19	2.6	0.1	180	
				60	1x	30	2.8	0.2	182	8	28	2.7	0.2	172	
				80	1.3x	40	2.8	0.2	178	-	37	2.7	0.2	169	
2835 0.2W 3V Gen2	BXEN-65E-11L-3C-00-0-0	6500K	80	20	0.3x	10	2.6	0.1	194	-	9	2.6	0.1	184	DS74
				30	0.5x	15	2.7	0.1	192	-	14	2.6	0.1	182	
				40	0.7x	20	2.7	0.1	189	-	19	2.6	0.1	180	
				60	1x	30	2.8	0.2	182	8	28	2.7	0.2	172	
				80	1.3x	40	2.8	0.2	178	-	37	2.7	0.2	172	

Form Factor	Part Number	CCT (Nominal)	CRI (min)	Current (mA)	Rated Current	Typical Pulsed Flux T _c 25°C (lm)	V _f T _c 25°C (V)	Power T _c 25°C (W)	Typical Efficacy T _c 25°C (lm/W)	Thermal Resistance Junction to Case ¹ (C/W)	Typical DC Flux T _c 85°C (lm)	V _f T _c 85°C (v)	Power T _c 85°C (W)	Typical Efficacy T _c 85°C (lm/W)	Data Sheet
2835 0.5W 3V	BXEN-27E-11M-3A-00-0-0	2700K	80	30	0.2x	13	2.6	0.1	170	-	12	2.5	0.1	159	DS56
				60	0.4x	26	2.8	0.2	154	-	23	2.7	0.2	143	
				100	0.7x	40	2.9	0.3	138	-	36	2.8	0.3	127	
				150	1x	57	3.1	0.5	123	20	50	3.0	0.4	111	
				180	1.2x	66	3.2	0.6	114	-	58	3.1	0.6	103	
2835 0.5W 3V	BXEN-30E-11M-3A-00-0-0	3000K	80	30	0.2x	14	2.6	0.1	179	-	13	2.5	0.1	168	DS56
				60	0.4x	27	2.8	0.2	162	-	24	2.7	0.2	150	
				100	0.7x	43	2.9	0.3	145	-	38	2.8	0.3	133	
				150	1x	60	3.1	0.5	129	20	53	3.0	0.4	118	
				180	1.2x	69	3.2	0.6	120	-	61	3.1	0.6	108	
2835 0.5W 3V	BXEN-35E-11M-3A-00-0-0	3500K	80	30	0.2x	14	2.6	0.1	179	-	13	2.5	0.1	168	DS56
				60	0.4x	27	2.8	0.2	162	-	24	2.7	0.2	150	
				100	0.7x	43	2.9	0.3	145	-	38	2.8	0.3	133	
				150	1x	60	3.1	0.5	129	20	53	3.0	0.4	118	
				180	1.2x	69	3.2	0.6	120	-	61	3.1	0.6	108	
2835 0.5W 3V	BXEN-40E-11M-3A-00-0-0	4000K	80	30	0.2x	15	2.6	0.1	191	-	13	2.5	0.1	179	DS56
				60	0.4x	29	2.8	0.2	173	-	26	2.7	0.2	160	
				100	0.7x	45	2.9	0.3	154	-	40	2.8	0.3	142	
				150	1x	64	3.1	0.5	138	20	56	3.0	0.4	125	
				180	1.2x	74	3.2	0.6	127	-	65	3.1	0.6	115	
2835 0.5W 3V	BXEN-50E-11M-3A-00-0-0	5000K	80	30	0.2x	15	2.6	0.1	191	-	13	2.5	0.1	179	DS56
				60	0.4x	29	2.8	0.2	173	-	26	2.7	0.2	160	
				100	0.7x	45	2.9	0.3	154	-	40	2.8	0.3	142	
				150	1x	64	3.1	0.5	138	20	56	3.0	0.4	125	
				180	1.2x	74	3.2	0.6	127	-	65	3.1	0.6	115	
2835 0.5W 3V	BXEN-57E-11M-3A-00-0-0	5700K	80	30	0.2x	15	2.6	0.1	191	-	13	2.5	0.1	179	DS56
				60	0.4x	29	2.8	0.2	173	-	26	2.7	0.2	160	
				100	0.7x	45	2.9	0.3	154	-	40	2.8	0.3	142	
				150	1x	64	3.1	0.5	138	20	56	3.0	0.4	125	
				180	1.2x	74	3.2	0.6	127	-	65	3.1	0.6	115	
2835 0.5W 3V	BXEN-65E-11M-3A-00-0-0	6500K	80	30	0.2x	15	2.6	0.1	188	-	13	2.5	0.1	176	DS56
				60	0.4x	28	2.8	0.2	170	-	25	2.7	0.2	158	
				100	0.7x	45	2.9	0.3	152	-	40	2.8	0.3	140	
				150	1x	63	3.1	0.5	135	20	54	3.0	0.4	121	
				180	1.2x	73	3.2	0.6	125	-	64	3.1	0.6	114	

Form Factor	Part Number	CCT (Nominal)	CRI (min)	Current (mA)	Rated Current	Typical Pulsed Flux T _c 25°C (lm)	V _f T _c 25°C (V)	Power T _c 25°C (W)	Typical Efficacy T _c 25°C (lm/W)	Thermal Resistance Junction to Case ¹ (C/W)	Typical DC Flux T _c 85°C (lm)	V _f T _c 85°C (v)	Power T _c 85°C (W)	Typical Efficacy T _c 85°C (lm/W)	Data Sheet
2835 1W 9V Gen2	BXEN-27E-13H-9B-00-0-0	2700K	80	30	0.3x	41	8.2	0.2	165	-	36	7.9	0.2	150	DS58
				60	0.6x	75	8.8	0.5	142	-	65	8.5	0.5	128	
				80	0.8x	96	9.2	0.7	131	-	82	8.9	0.7	116	
				100	1x	115	9.5	1.0	121	10	101	9.2	0.9	110	
				120	1.2x	132	9.8	1.2	113	-	111	9.5	1.1	97	
2835 1W 9V Gen2	BXEN-27G-13H-9B-00-0-0	2700K	90	30	0.3x	35	8.2	0.2	144	-	31	7.9	0.2	131	DS58
				60	0.6x	65	8.8	0.5	124	-	57	8.5	0.5	111	
				80	0.8x	83	9.2	0.7	114	-	71	8.9	0.7	101	
				100	1x	100	9.5	1.0	105	10	88	9.2	0.9	96	
				120	1.2x	115	9.8	1.2	98	-	96	9.5	1.1	84	
2835 1W 9V Gen2	BXEN-30E-13H-9B-00-0-0	3000K	80	30	0.3x	42	8.2	0.2	172	-	37	7.9	0.2	157	DS58
				60	0.6x	79	8.8	0.5	149	-	68	8.5	0.5	133	
				80	0.8x	100	9.2	0.7	136	-	86	8.9	0.7	121	
				100	1x	120	9.5	1.0	126	10	106	9.2	0.9	115	
				120	1.2x	138	9.8	1.2	117	-	116	9.5	1.1	101	
2835 1W 9V Gen2	BXEN-30G-13H-9B-00-0-0	3000K	90	30	0.3x	35	8.2	0.2	144	-	31	7.9	0.2	131	DS58
				60	0.6x	65	8.8	0.5	124	-	57	8.5	0.5	111	
				80	0.8x	83	9.2	0.7	114	-	71	8.9	0.7	101	
				100	1x	100	9.5	1.0	105	10	88	9.2	0.9	96	
				120	1.2x	115	9.8	1.2	98	-	96	9.5	1.1	84	
2835 1W 9V Gen2	BXEN-35E-13H-9B-00-0-0	3500K	80	30	0.3x	43	8.2	0.2	177	-	38	7.9	0.2	161	DS58
				60	0.6x	80	8.8	0.5	152	-	70	8.5	0.5	137	
				80	0.8x	103	9.2	0.7	140	-	88	8.9	0.7	124	
				100	1x	123	9.5	1.0	129	10	108	9.2	0.9	118	
				120	1.2x	142	9.8	1.2	120	-	118	9.5	1.1	104	
2835 1W 9V Gen2	BXEN-35G-13H-9B-00-0-0	3500K	90	30	0.3x	36	8.2	0.2	146	-	32	7.9	0.2	133	DS58
				60	0.6x	67	8.8	0.5	126	-	58	8.5	0.5	113	
				80	0.8x	85	9.2	0.7	116	-	73	8.9	0.7	103	
				100	1x	102	9.5	1.0	107	10	90	9.2	0.9	98	
				120	1.2x	118	9.8	1.2	100	-	98	9.5	1.1	86	
2835 1W 9V Gen2	BXEN-40E-13H-9B-00-0-0	4000K	80	30	0.3x	45	8.2	0.2	182	-	39	7.9	0.2	166	DS58
				60	0.6x	83	8.8	0.5	157	-	72	8.5	0.5	141	
				80	0.8x	106	9.2	0.7	144	-	91	8.9	0.7	128	
				100	1x	127	9.5	1.0	134	10	112	9.2	0.9	122	
				120	1.2x	146	9.8	1.2	124	-	122	9.5	1.1	107	
2835 1W 9V Gen2	BXEN-40G-13H-9B-00-0-0	4000K	90	30	0.3x	37	8.2	0.2	151	-	33	7.9	0.2	137	DS58
				60	0.6x	69	8.8	0.5	130	-	59	8.5	0.5	117	
				80	0.8x	88	9.2	0.7	119	-	75	8.9	0.7	106	
				100	1x	105	9.5	1.0	111	10	92	9.2	0.9	101	
				120	1.2x	121	9.8	1.2	103	-	101	9.5	1.1	89	
2835 1W 9V Gen2	BXEN-50E-13H-9B-00-0-0	5000K	80	30	0.3x	45	8.2	0.2	182	-	39	7.9	0.2	166	DS58
				60	0.6x	83	8.8	0.5	157	-	72	8.5	0.5	141	
				80	0.8x	106	9.2	0.7	144	-	91	8.9	0.7	128	
				100	1x	127	9.5	1.0	134	10	112	9.2	0.9	122	
				120	1.2x	146	9.8	1.2	124	-	122	9.5	1.1	107	
2835 1W 9V Gen2	BXEN-50G-13H-9B-00-0-0	5000K	90	30	0.3x	37	8.2	0.2	151	-	33	7.9	0.2	137	DS58
				60	0.6x	69	8.8	0.5	130	-	59	8.5	0.5	117	
				80	0.8x	88	9.2	0.7	119	-	75	8.9	0.7	106	
				100	1x	105	9.5	1.0	111	10	92	9.2	0.9	101	
				120	1.2x	121	9.8	1.2	103	-	101	9.5	1.1	89	
2835 1W 9V Gen2	BXEN-57E-13H-9B-00-0-0	5700K	80	30	0.3x	45	8.2	0.2	182	-	39	7.9	0.2	166	DS58
				60	0.6x	83	8.8	0.5	157	-	72	8.5	0.5	141	
				80	0.8x	106	9.2	0.7	144	-	91	8.9	0.7	128	
				100	1x	127	9.5	1.0	134	10	112	9.2	0.9	122	
				120	1.2x	146	9.8	1.2	124	-	122	9.5	1.1	107	

Form Factor	Part Number	CCT (Nominal)	CRI (min)	Current (mA)	Rated Current	Typical Pulsed Flux T _c 25°C (lm)	V _f T _c 25°C (V)	Power T _c 25°C (W)	Typical Efficacy T _c 25°C (lm/W)	Thermal Resistance Junction to Case ¹ (C/W)	Typical DC Flux T _c 85°C (lm)	V _f T _c 85°C (v)	Power T _c 85°C (W)	Typical Efficacy T _c 85°C (lm/W)	Data Sheet
2835 1W 9V Gen2	BXEN-57G-13H-9B-00-0-0	5700K	90	30	0.3x	37	8.2	0.2	151	-	33	7.9	0.2	137	DS88
				60	0.6x	69	8.8	0.5	130	-	59	8.5	0.5	117	
				80	0.8x	88	9.2	0.7	119	-	75	8.9	0.7	106	
				100	1x	105	9.5	1.0	111	10	92	9.2	0.9	101	
				120	1.2x	121	9.8	1.2	103	-	101	9.5	1.1	89	
2835 1W 9V Gen2	BXEN-65E-13H-9B-00-0-0	6500K	80	30	0.3x	44	8.2	0.2	179	-	39	7.9	0.2	163	DS88
				60	0.6x	82	8.8	0.5	155	-	71	8.5	0.5	139	
				80	0.8x	104	9.2	0.7	142	-	89	8.9	0.7	126	
				100	1x	125	9.5	1.0	132	10	110	9.2	0.9	120	
				120	1.2x	144	9.8	1.2	122	-	120	9.5	1.1	106	

Form Factor	Part Number	CCT (Nominal)	CRI (min)	Current (mA)	Rated Current	Typical Pulsed Flux T _c 25°C (lm)	V _f T _c 25°C (V)	Power T _c 25°C (W)	Typical Efficacy T _c 25°C (lm/W)	Thermal Resistance Junction to Case ¹ (C/W)	Typical DC Flux T _c 85°C (lm)	V _f T _c 85°C (v)	Power T _c 85°C (W)	Typical Efficacy T _c 85°C (lm/W)	Data Sheet
2835 1W 12V	BXEN-27E-14H-12A-00-0-0	2700K	80	20	0.3x	34	11.3	0.2	152	-	31	10.9	0.2	141	DS75
				40	0.5x	66	11.7	0.5	141	-	59	11.3	0.5	131	
				60	0.8x	95	12.0	0.7	132	-	85	11.7	0.7	121	
				75	1x	115	12.2	0.9	126	10	101	11.9	0.9	114	
				90	1.2x	134	12.4	1.1	120	-	118	12.1	1.1	109	
2835 1W 12V	BXEN-30E-14H-12A-00-0-0	3000K	80	20	0.3x	36	11.3	0.2	158	-	32	10.9	0.2	147	DS75
				40	0.5x	69	11.7	0.5	147	-	62	11.3	0.5	136	
				60	0.8x	99	12.0	0.7	138	-	88	11.7	0.7	126	
				75	1x	120	12.2	0.9	131	10	106	11.9	0.9	119	
				90	1.2x	140	12.4	1.1	125	-	123	12.1	1.1	113	
2835 1W 12V	BXEN-35E-14H-12A-00-0-0	3500K	80	20	0.3x	36	11.3	0.2	158	-	32	10.9	0.2	147	DS75
				40	0.5x	69	11.7	0.5	147	-	62	11.3	0.5	136	
				60	0.8x	99	12.0	0.7	138	-	88	11.7	0.7	126	
				75	1x	120	12.2	0.9	131	10	106	11.9	0.9	119	
				90	1.2x	140	12.4	1.1	125	-	123	12.1	1.1	113	
2835 1W 12V	BXEN-40E-14H-12A-00-0-0	4000K	80	20	0.3x	37	11.3	0.2	165	-	33	10.9	0.2	153	DS75
				40	0.5x	72	11.7	0.5	154	-	64	11.3	0.5	142	
				60	0.8x	103	12.0	0.7	143	-	92	11.7	0.7	132	
				75	1x	125	12.2	0.9	137	10	110	11.9	0.9	124	
				90	1.2x	146	12.4	1.1	130	-	128	12.1	1.1	118	
2835 1W 12V	BXEN-50E-14H-12A-00-0-0	5000K	80	20	0.3x	37	11.3	0.2	165	-	33	10.9	0.2	153	DS75
				40	0.5x	72	11.7	0.5	154	-	64	11.3	0.5	142	
				60	0.8x	103	12.0	0.7	143	-	92	11.7	0.7	132	
				75	1x	125	12.2	0.9	137	10	110	11.9	0.9	124	
				90	1.2x	146	12.4	1.1	130	-	128	12.1	1.1	118	
2835 1W 12V	BXEN-57E-14H-12A-00-0-0	5700K	80	20	0.3x	37	11.3	0.2	165	-	33	10.9	0.2	153	DS75
				40	0.5x	72	11.7	0.5	154	-	64	11.3	0.5	142	
				60	0.8x	103	12.0	0.7	143	-	92	11.7	0.7	132	
				75	1x	125	12.2	0.9	137	10	110	11.9	0.9	124	
				90	1.2x	146	12.4	1.1	130	-	128	12.1	1.1	118	
2835 1W 12V	BXEN-65E-14H-12A-00-0-0	6500K	80	20	0.3x	37	11.3	0.2	165	-	33	10.9	0.2	153	DS75
				40	0.5x	72	11.7	0.5	154	-	64	11.3	0.5	142	
				60	0.8x	103	12.0	0.7	143	-	92	11.7	0.7	132	
				75	1x	125	12.2	0.9	137	10	110	11.9	0.9	124	
				90	1.2x	146	12.4	1.1	130	-	128	12.1	1.1	118	

Form Factor	Part Number	CCT (Nominal)	CRI (min)	Current (mA)	Rated Current	Typical Pulsed Flux T _c 25°C (lm)	V _f T _c 25°C (V)	Power T _c 25°C (W)	Typical Efficacy T _c 25°C (lm/W)	Thermal Resistance Junction to Case ¹ (C/W)	Typical DC Flux T _c 85°C (lm)	V _f T _c 85°C (v)	Power T _c 85°C (W)	Typical Efficacy T _c 85°C (lm/W)	Data Sheet
5050 3W 9V	BXEP-27E-233-09A-00-00-0	2700K	80	80	0.3x	108	8.3	0.7	163	-	95	8.0	0.6	147	DS61
				160	0.5x	209	8.7	1.4	149	-	187	8.5	1.4	138	
				240	0.8x	303	9.1	2.2	138	-	268	8.9	2.1	126	
				320	1x	389	9.3	3.0	131	3	338	9.0	2.9	117	
				480	1.5x	541	10.0	4.8	113	-	454	9.7	4.7	97	
5050 3W 9V	BXEP-30E-233-09A-00-00-0	3000K	80	80	0.3x	111	8.3	0.7	168	-	98	8.0	0.6	152	DS61
				160	0.5x	215	8.7	1.4	154	-	192	8.5	1.4	142	
				240	0.8x	312	9.1	2.2	143	-	277	8.9	2.1	130	
				320	1x	401	9.3	3.0	135	3	349	9.0	2.9	121	
				480	1.5x	558	10.0	4.8	117	-	468	9.7	4.7	100	
5050 3W 9V	BXEP-35E-233-09A-00-00-0	3500K	80	80	0.3x	114	8.3	0.7	172	-	100	8.0	0.6	156	DS61
				160	0.5x	221	8.7	1.4	158	-	198	8.5	1.4	146	
				240	0.8x	321	9.1	2.2	147	-	284	8.9	2.1	134	
				320	1x	412	9.3	3.0	138	3	358	9.0	2.9	124	
				480	1.5x	573	10.0	4.8	120	-	480	9.7	4.7	103	
5050 3W 9V	BXEP-40E-233-09A-00-00-0	4000K	80	80	0.3x	119	8.3	0.7	180	-	105	8.0	0.6	163	DS61
				160	0.5x	231	8.7	1.4	165	-	206	8.5	1.4	152	
				240	0.8x	335	9.1	2.2	153	-	297	8.9	2.1	140	
				320	1x	430	9.3	3.0	144	3	374	9.0	2.9	129	
				480	1.5x	598	10.0	4.8	125	-	501	9.7	4.7	108	
5050 3W 9V	BXEP-45E-233-09A-00-00-0	4500K	80	80	0.3x	121	8.3	0.7	182	-	106	8.0	0.6	165	DS61
				160	0.5x	234	8.7	1.4	167	-	209	8.5	1.4	154	
				240	0.8x	338	9.1	2.2	155	-	300	8.9	2.1	141	
				320	1x	435	9.3	3.0	146	3	378	9.0	2.9	131	
				480	1.5x	605	10.0	4.8	127	-	507	9.7	4.7	109	
5050 3W 9V	BXEP-50E-233-09A-00-00-0	5000K	80	80	0.3x	121	8.3	0.7	182	-	106	8.0	0.6	165	DS61
				160	0.5x	234	8.7	1.4	167	-	209	8.5	1.4	154	
				240	0.8x	338	9.1	2.2	155	-	300	8.9	2.1	141	
				320	1x	435	9.3	3.0	146	3	378	9.0	2.9	131	
				480	1.5x	605	10.0	4.8	127	-	507	9.7	4.7	109	
5050 3W 9V	BXEP-57E-233-09A-00-00-0	5700K	80	80	0.3x	121	8.3	0.7	182	-	106	8.0	0.6	165	DS61
				160	0.5x	234	8.7	1.4	167	-	209	8.5	1.4	154	
				240	0.8x	338	9.1	2.2	155	-	300	8.9	2.1	141	
				320	1x	435	9.3	3.0	146	3	378	9.0	2.9	131	
				480	1.5x	605	10.0	4.8	127	-	507	9.7	4.7	109	
5050 3W 9V	BXEP-65E-233-09A-00-00-0	6500K	80	80	0.3x	120	8.3	0.7	181	-	105	8.0	0.6	164	DS61
				160	0.5x	232	8.7	1.4	166	-	207	8.5	1.4	153	
				240	0.8x	336	9.1	2.2	154	-	298	8.9	2.1	140	
				320	1x	432	9.3	3.0	145	3	376	9.0	2.9	130	
				480	1.5x	601	10.0	4.8	126	-	504	9.7	4.7	108	

Form Factor	Part Number	CCT (Nominal)	CRI (min)	Current (mA)	Rated Current	Typical Pulsed Flux T _c 25°C (lm)	V _f T _c 25°C (V)	Power T _c 25°C (W)	Typical Efficacy T _c 25°C (lm/W)	Thermal Resistance Junction to Case ¹ (C/W)	Typical DC Flux T _c 85°C (lm)	V _f T _c 85°C (v)	Power T _c 85°C (W)	Typical Efficacy T _c 85°C (lm/W)	Data Sheet
5050 3W 18V	BXEP-27E-163-18A-00-00-0	2700K	80	40	0.3x	108	16.3	0.7	165	-	95	15.8	0.6	150	DS62
				80	0.5x	209	17.2	1.4	152	-	187	16.7	1.3	140	
				120	0.8x	303	18.0	2.2	140	-	268	17.4	2.1	128	
				160	1x	389	18.6	3.0	131	3	338	18.1	2.9	117	
				240	1.5x	541	19.7	4.7	115	-	454	19.2	4.6	99	
5050 3W 18V	BXEP-30E-163-18A-00-00-0	3000K	80	40	0.3x	111	16.3	0.7	170	-	98	15.8	0.6	154	DS62
				80	0.5x	215	17.2	1.4	157	-	192	16.7	1.3	144	
				120	0.8x	312	18.0	2.2	145	-	277	17.4	2.1	132	
				160	1x	401	18.6	3.0	135	3	349	18.1	2.9	121	
				240	1.5x	558	19.7	4.7	118	-	468	19.2	4.6	102	
5050 3W 18V	BXEP-35E-163-18A-00-00-0	3500K	80	40	0.3x	114	16.3	0.7	175	-	100	15.8	0.6	159	DS62
				80	0.5x	221	17.2	1.4	161	-	198	16.7	1.3	148	
				120	0.8x	321	18.0	2.2	149	-	284	17.4	2.1	136	
				160	1x	412	18.6	3.0	138	3	358	18.1	2.9	124	
				240	1.5x	573	19.7	4.7	121	-	480	19.2	4.6	104	
5050 3W 18V	BXEP-40E-163-18A-00-00-0	4000K	80	40	0.3x	119	16.3	0.7	183	-	105	15.8	0.6	166	DS62
				80	0.5x	231	17.2	1.4	168	-	206	16.7	1.3	155	
				120	0.8x	335	18.0	2.2	155	-	297	17.4	2.1	142	
				160	1x	430	18.6	3.0	144	3	374	18.1	2.9	129	
				240	1.5x	598	19.7	4.7	127	-	501	19.2	4.6	109	
5050 3W 18V	BXEP-45E-163-18A-00-00-0	4500K	80	40	0.3x	121	16.3	0.7	185	-	106	15.8	0.6	168	DS62
				80	0.5x	234	17.2	1.4	170	-	209	16.7	1.3	156	
				120	0.8x	338	18.0	2.2	157	-	300	17.4	2.1	143	
				160	1x	435	18.6	3.0	146	3	378	18.1	2.9	131	
				240	1.5x	605	19.7	4.7	128	-	507	19.2	4.6	110	
5050 3W 18V	BXEP-50E-163-18A-00-00-0	5000K	80	40	0.3x	121	16.3	0.7	185	-	106	15.8	0.6	168	DS62
				80	0.5x	234	17.2	1.4	170	-	209	16.7	1.3	156	
				120	0.8x	338	18.0	2.2	157	-	300	17.4	2.1	143	
				160	1x	435	18.6	3.0	146	3	378	18.1	2.9	131	
				240	1.5x	605	19.7	4.7	128	-	507	19.2	4.6	110	
5050 3W 18V	BXEP-57E-163-18A-00-00-0	5700K	80	40	0.3x	121	16.3	0.7	185	-	106	15.8	0.6	168	DS62
				80	0.5x	234	17.2	1.4	170	-	209	16.7	1.3	156	
				120	0.8x	338	18.0	2.2	157	-	300	17.4	2.1	143	
				160	1x	435	18.6	3.0	146	3	378	18.1	2.9	131	
				240	1.5x	605	19.7	4.7	128	-	507	19.2	4.6	110	
5050 3W 18V	BXEP-65E-163-18A-00-00-0	6500K	80	40	0.3x	120	16.3	0.7	183	-	105	15.8	0.6	166	DS62
				80	0.5x	232	17.2	1.4	169	-	207	16.7	1.3	155	
				120	0.8x	336	18.0	2.2	156	-	298	17.4	2.1	142	
				160	1x	432	18.6	3.0	145	3	376	18.1	2.9	130	
				240	1.5x	601	19.7	4.7	127	-	504	19.2	4.6	110	

Form Factor	Part Number	CCT (Nominal)	CRI (min)	Current (mA)	Rated Current	Typical Pulsed Flux T _c 25°C (lm)	V _f T _c 25°C (V)	Power T _c 25°C (W)	Typical Efficacy T _c 25°C (lm/W)	Thermal Resistance Junction to Case ¹ (C/W)	Typical DC Flux T _c 85°C (lm)	V _f T _c 85°C (v)	Power T _c 85°C (W)	Typical Efficacy T _c 85°C (lm/W)	Data Sheet
5050 5W 9V	BXEP-27E-435-09A-00-00-0	2700K	80	125	0.3x	161	8.2	1.0	157	-	145	7.9	1.0	146	DS63
				250	0.5x	311	8.6	2.2	144	-	277	8.4	2.1	132	
				375	0.8x	451	9.0	3.4	134	-	396	8.7	3.3	121	
				500	1x	579	9.3	4.7	125	2	504	9.0	4.5	111	
				800	1.6x	846	10.1	8.1	105	-	698	9.8	7.9	89	
5050 5W 9V	BXEP-30E-435-09A-00-00-0	3000K	80	125	0.3x	167	8.2	1.0	163	-	150	7.9	1.0	151	DS63
				250	0.5x	323	8.6	2.2	150	-	287	8.4	2.1	137	
				375	0.8x	467	9.0	3.4	138	-	410	8.7	3.3	125	
				500	1x	600	9.3	4.7	129	2	522	9.0	4.5	116	
				800	1.6x	877	10.1	8.1	109	-	724	9.8	7.9	92	
5050 5W 9V	BXEP-35E-435-09A-00-00-0	3500K	80	125	0.3x	171	8.2	1.0	167	-	153	7.9	1.0	154	DS63
				250	0.5x	330	8.6	2.2	153	-	294	8.4	2.1	141	
				375	0.8x	478	9.0	3.4	142	-	419	8.7	3.3	128	
				500	1x	614	9.3	4.7	132	2	534	9.0	4.5	118	
				800	1.6x	897	10.1	8.1	111	-	741	9.8	7.9	94	
5050 5W 9V	BXEP-40E-435-09A-00-00-0	4000K	80	125	0.3x	174	8.2	1.0	170	-	156	7.9	1.0	157	DS63
				250	0.5x	337	8.6	2.2	156	-	299	8.4	2.1	143	
				375	0.8x	488	9.0	3.4	144	-	428	8.7	3.3	130	
				500	1x	626	9.3	4.7	135	2	545	9.0	4.5	121	
				800	1.6x	915	10.1	8.1	113	-	755	9.8	7.9	96	
5050 5W 9V	BXEP-45E-435-09A-00-00-0	4500K	80	125	0.3x	175	8.2	1.0	171	-	157	7.9	1.0	158	DS63
				250	0.5x	338	8.6	2.2	157	-	301	8.4	2.1	144	
				375	0.8x	490	9.0	3.4	145	-	430	8.7	3.3	131	
				500	1x	629	9.3	4.7	135	2	547	9.0	4.5	121	
				800	1.6x	919	10.1	8.1	114	-	759	9.8	7.9	97	
5050 5W 9V	BXEP-50E-435-09A-00-00-0	5000K	80	125	0.3x	175	8.2	1.0	171	-	157	7.9	1.0	158	DS63
				250	0.5x	338	8.6	2.2	157	-	301	8.4	2.1	144	
				375	0.8x	490	9.0	3.4	145	-	430	8.7	3.3	131	
				500	1x	629	9.3	4.7	135	2	547	9.0	4.5	121	
				800	1.6x	919	10.1	8.1	114	-	759	9.8	7.9	97	
5050 5W 9V	BXEP-57E-435-09A-00-00-0	5700K	80	125	0.3x	175	8.2	1.0	171	-	157	7.9	1.0	158	DS63
				250	0.5x	338	8.6	2.2	157	-	301	8.4	2.1	144	
				375	0.8x	490	9.0	3.4	145	-	430	8.7	3.3	131	
				500	1x	629	9.3	4.7	135	2	547	9.0	4.5	121	
				800	1.6x	919	10.1	8.1	114	-	759	9.8	7.9	97	
5050 5W 9V	BXEP-65E-435-09A-00-00-0	6500K	80	125	0.3x	174	8.2	1.0	169	-	156	7.9	1.0	157	DS63
				250	0.5x	336	8.6	2.2	156	-	298	8.4	2.1	143	
				375	0.8x	486	9.0	3.4	144	-	426	8.7	3.3	130	
				500	1x	624	9.3	4.7	134	2	543	9.0	4.5	120	
				800	1.6x	912	10.1	8.1	113	-	753	9.8	7.9	96	

Form Factor	Part Number	CCT (Nominal)	CRI (min)	Current (mA)	Rated Current	Typical Pulsed Flux T _c 25°C (lm)	V _f T _c 25°C (V)	Power T _c 25°C (W)	Typical Efficacy T _c 25°C (lm/W)	Thermal Resistance Junction to Case ¹ (C/W)	Typical DC Flux T _c 85°C (lm)	V _f T _c 85°C (v)	Power T _c 85°C (W)	Typical Efficacy T _c 85°C (lm/W)	Data Sheet
5050 5W 36V	BXEP-27E-1C5-36A-00-00-0	2700K	80	31	0.3x	161	32.8	1.0	157	-	145	31.8	1.0	146	DS64
				63	0.5x	311	34.5	2.2	145	-	277	33.4	2.1	133	
				94	0.8x	451	35.9	3.4	134	-	396	34.9	3.3	121	
				125	1x	579	37.2	4.7	125	2	504	36.1	4.5	111	
				200	1.6x	846	39.8	8.0	106	-	698	38.7	7.7	90	
5050 5W 36V	BXEP-30E-1C5-36A-00-00-0	3000K	80	31	0.3x	167	32.8	1.0	163	-	150	31.8	1.0	151	DS64
				63	0.5x	323	34.5	2.2	150	-	287	33.4	2.1	137	
				94	0.8x	467	35.9	3.4	139	-	410	34.9	3.3	125	
				125	1x	600	37.2	4.7	129	2	522	36.1	4.5	116	
				200	1.6x	877	39.8	8.0	110	-	724	38.7	7.7	93	
5050 5W 36V	BXEP-35E-1C5-36A-00-00-0	3500K	80	31	0.3x	171	32.8	1.0	167	-	153	31.8	1.0	154	DS64
				63	0.5x	330	34.5	2.2	153	-	294	33.4	2.1	141	
				94	0.8x	478	35.9	3.4	142	-	419	34.9	3.3	128	
				125	1x	614	37.2	4.7	132	2	534	36.1	4.5	118	
				200	1.6x	897	39.8	8.0	113	-	741	38.7	7.7	96	
5050 5W 36V	BXEP-40E-1C5-36A-00-00-0	4000K	80	31	0.3x	174	32.8	1.0	170	-	156	31.8	1.0	157	DS64
				63	0.5x	337	34.5	2.2	156	-	299	33.4	2.1	143	
				94	0.8x	488	35.9	3.4	145	-	428	34.9	3.3	131	
				125	1x	626	37.2	4.7	135	2	545	36.1	4.5	121	
				200	1.6x	915	39.8	8.0	115	-	755	38.7	7.7	98	
5050 5W 36V	BXEP-45E-1C5-36A-00-00-0	4500K	80	31	0.3x	175	32.8	1.0	171	-	157	31.8	1.0	158	DS64
				63	0.5x	338	34.5	2.2	157	-	301	33.4	2.1	144	
				94	0.8x	490	35.9	3.4	145	-	430	34.9	3.3	131	
				125	1x	629	37.2	4.7	135	2	547	36.1	4.5	121	
				200	1.6x	919	39.8	8.0	116	-	759	38.7	7.7	98	
5050 5W 36V	BXEP-50E-1C5-36A-00-00-0	5000K	80	31	0.3x	175	32.8	1.0	171	-	157	31.8	1.0	158	DS64
				63	0.5x	338	34.5	2.2	157	-	301	33.4	2.1	144	
				94	0.8x	490	35.9	3.4	145	-	430	34.9	3.3	131	
				125	1x	629	37.2	4.7	135	2	547	36.1	4.5	121	
				200	1.6x	919	39.8	8.0	116	-	759	38.7	7.7	98	
5050 5W 36V	BXEP-57E-1C5-36A-00-00-0	5700K	80	31	0.3x	175	32.8	1.0	171	-	157	31.8	1.0	158	DS64
				63	0.5x	338	34.5	2.2	157	-	301	33.4	2.1	144	
				94	0.8x	490	35.9	3.4	145	-	430	34.9	3.3	131	
				125	1x	629	37.2	4.7	135	2	547	36.1	4.5	121	
				200	1.6x	919	39.8	8.0	116	-	759	38.7	7.7	98	
5050 5W 36V	BXEP-65E-1C5-36A-00-00-0	6500K	80	31	0.3x	174	32.8	1.0	169	-	156	31.8	1.0	157	DS64
				63	0.5x	336	34.5	2.2	156	-	298	33.4	2.1	143	
				94	0.8x	486	35.9	3.4	144	-	426	34.9	3.3	130	
				125	1x	624	37.2	4.7	134	2	543	36.1	4.5	120	
				200	1.6x	912	39.8	8.0	115	-	753	38.7	7.7	97	

Form Factor	Part Number	CCT (Nominal)	CRI (min)	Current (mA)	Rated Current	Typical Pulsed Flux T _c 25°C (lm)	V _f T _c 25°C (V)	Power T _c 25°C (W)	Typical Efficacy T _c 25°C (lm/W)	Thermal Resistance Junction to Case ¹ (C/W)	Typical DC Flux T _c 85°C (lm)	V _f T _c 85°C (v)	Power T _c 85°C (W)	Typical Efficacy T _c 85°C (lm/W)	Data Sheet
5050 5W 9V Gen2	BXEP-27C-435-09B-00-00-0	2700K	70	125	0.3x	186	8.1	1.0	184	-	153	7.8	1.0	156	DS71
				250	0.5x	365	8.4	2.1	174	-	294	8.1	2.0	145	
				375	0.8x	535	8.7	3.2	165	-	425	8.4	3.1	135	
				500	1x	694	8.9	4.5	156	2	616	8.6	4.3	143	
				640	1.3x	864	9.2	5.9	147	-	669	8.9	5.7	117	
				960	1.9x	1206	9.6	9.3	130	-	901	9.4	9.0	100	
				125	0.3x	169	8.1	1.0	168	-	139	7.8	1.0	142	
5050 5W 9V Gen2	BXEP-27E-435-09B-00-00-0	2700K	80	250	0.5x	332	8.4	2.1	159	-	267	8.1	2.0	132	DS71
				375	0.8x	486	8.7	3.2	150	-	387	8.4	3.1	123	
				500	1x	631	8.9	4.5	142	2	560	8.6	4.3	130	
				640	1.3x	786	9.2	5.9	134	-	608	8.9	5.7	107	
				960	1.9x	1096	9.6	9.3	118	-	819	9.4	9.0	91	
				125	0.3x	146	8.1	1.0	144	-	119	7.8	1.0	122	
				250	0.5x	286	8.4	2.1	136	-	230	8.1	2.0	113	
5050 5W 9V Gen2	BXEP-27G-435-09B-00-00-0	2700K	90	375	0.8x	419	8.7	3.2	129	-	333	8.4	3.1	106	DS71
				500	1x	543	8.9	4.5	122	2	482	8.6	4.3	111	
				640	1.3x	676	9.2	5.9	115	-	523	8.9	5.7	92	
				960	1.9x	943	9.6	9.3	102	-	705	9.4	9.0	78	
				125	0.3x	191	8.1	1.0	189	-	156	7.8	1.0	160	
				250	0.5x	375	8.4	2.1	179	-	302	8.1	2.0	149	
				375	0.8x	549	8.7	3.2	169	-	436	8.4	3.1	139	
5050 5W 9V Gen2	BXEP-30C-435-09B-00-00-0	3000K	70	500	1x	712	8.9	4.5	160	2	632	8.6	4.3	146	DS71
				640	1.3x	886	9.2	5.9	151	-	686	8.9	5.7	120	
				960	1.9x	1237	9.6	9.3	134	-	924	9.4	9.0	103	
				125	0.3x	174	8.1	1.0	172	-	142	7.8	1.0	145	
				250	0.5x	341	8.4	2.1	163	-	274	8.1	2.0	135	
				375	0.8x	499	8.7	3.2	154	-	396	8.4	3.1	126	
				500	1x	647	8.9	4.5	145	2	574	8.6	4.3	133	
5050 5W 9V Gen2	BXEP-30E-435-09B-00-00-0	3000K	80	640	1.3x	806	9.2	5.9	137	-	624	8.9	5.7	109	DS71
				960	1.9x	1124	9.6	9.3	121	-	840	9.4	9.0	93	
				125	0.3x	149	8.1	1.0	148	-	122	7.8	1.0	125	
				250	0.5x	293	8.4	2.1	140	-	236	8.1	2.0	116	
				375	0.8x	429	8.7	3.2	132	-	341	8.4	3.1	108	
				500	1x	556	8.9	4.5	125	2	493	8.6	4.3	114	
				640	1.3x	692	9.2	5.9	118	-	536	8.9	5.7	94	
5050 5W 9V Gen2	BXEP-30G-435-09B-00-00-0	3000K	90	960	1.9x	966	9.6	9.3	104	-	722	9.4	9.0	80	DS71
				125	0.3x	196	8.1	1.0	194	-	160	7.8	1.0	164	
				250	0.5x	384	8.4	2.1	183	-	309	8.1	2.0	152	
				375	0.8x	562	8.7	3.2	173	-	447	8.4	3.1	142	
				500	1x	729	8.9	4.5	164	2	647	8.6	4.3	150	
				640	1.3x	908	9.2	5.9	155	-	703	8.9	5.7	123	
				960	1.9x	1266	9.6	9.3	137	-	946	9.4	9.0	105	
5050 5W 9V Gen2	BXEP-35E-435-09B-00-00-0	3500K	80	125	0.3x	178	8.1	1.0	176	-	146	7.8	1.0	149	DS71
				250	0.5x	349	8.4	2.1	167	-	281	8.1	2.0	138	
				375	0.8x	511	8.7	3.2	157	-	406	8.4	3.1	129	
				500	1x	663	8.9	4.5	149	2	588	8.6	4.3	136	
				640	1.3x	825	9.2	5.9	141	-	639	8.9	5.7	112	
				960	1.9x	1152	9.6	9.3	124	-	860	9.4	9.0	95	
				125	0.3x	201	8.1	1.0	199	-	164	7.8	1.0	168	
5050 5W 9V Gen2	BXEP-40C-435-09B-00-00-0	4000K	70	250	0.5x	393	8.4	2.1	188	-	317	8.1	2.0	156	DS71
				375	0.8x	576	8.7	3.2	177	-	458	8.4	3.1	145	
				500	1x	747	8.9	4.5	168	2	663	8.6	4.3	153	
				640	1.3x	930	9.2	5.9	159	-	720	8.9	5.7	126	
				960	1.9x	1298	9.6	9.3	140	-	969	9.4	9.0	108	

Form Factor	Part Number	CCT (Nominal)	CRI (min)	Current (mA)	Rated Current	Typical Pulsed Flux T _c 25°C (lm)	V _f T _c 25°C (V)	Power T _c 25°C (W)	Typical Efficacy T _c 25°C (lm/W)	Thermal Resistance Junction to Case ¹ (C/W)	Typical DC Flux T _c 85°C (lm)	V _f T _c 85°C (v)	Power T _c 85°C (W)	Typical Efficacy T _c 85°C (lm/W)	Data Sheet
5050 5W 9V Gen2	BXEP-40E-435-09B-00-00-0	4000K	80	125	0.3x	182	8.1	1.0	180	-	149	7.8	1.0	153	DS71
				250	0.5x	357	8.4	2.1	171	-	288	8.1	2.0	142	
				375	0.8x	523	8.7	3.2	161	-	416	8.4	3.1	132	
				500	1x	679	8.9	4.5	153	2	602	8.6	4.3	139	
				640	1.3x	845	9.2	5.9	144	-	654	8.9	5.7	115	
				960	1.9x	1180	9.6	9.3	127	-	881	9.4	9.0	98	
				125	0.3x	201	8.1	1.0	199	-	164	7.8	1.0	168	
250	0.5x	393	8.4	2.1	188	-	317	8.1	2.0	156					
375	0.8x	576	8.7	3.2	177	-	458	8.4	3.1	145					
500	1x	747	8.9	4.5	168	2	663	8.6	4.3	153					
640	1.3x	930	9.2	5.9	159	-	720	8.9	5.7	126					
960	1.9x	1298	9.6	9.3	140	-	969	9.4	9.0	108					
125	0.3x	182	8.1	1.0	180	-	149	7.8	1.0	153	DS71				
250	0.5x	357	8.4	2.1	171	-	288	8.1	2.0	142					
375	0.8x	523	8.7	3.2	161	-	416	8.4	3.1	132					
500	1x	679	8.9	4.5	153	2	602	8.6	4.3	139					
640	1.3x	845	9.2	5.9	144	-	654	8.9	5.7	115					
960	1.9x	1180	9.6	9.3	127	-	881	9.4	9.0	98					
125	0.3x	201	8.1	1.0	199	-	164	7.8	1.0	168		DS71			
250	0.5x	393	8.4	2.1	188	-	317	8.1	2.0	156					
375	0.8x	576	8.7	3.2	177	-	458	8.4	3.1	145					
500	1x	747	8.9	4.5	168	2	663	8.6	4.3	153					
640	1.3x	930	9.2	5.9	159	-	720	8.9	5.7	126					
960	1.9x	1298	9.6	9.3	140	-	969	9.4	9.0	108					
125	0.3x	182	8.1	1.0	180	-	149	7.8	1.0	153	DS71				
250	0.5x	357	8.4	2.1	171	-	288	8.1	2.0	142					
375	0.8x	523	8.7	3.2	161	-	416	8.4	3.1	132					
500	1x	679	8.9	4.5	153	2	602	8.6	4.3	139					
640	1.3x	845	9.2	5.9	144	-	654	8.9	5.7	115					
960	1.9x	1180	9.6	9.3	127	-	881	9.4	9.0	98					
125	0.3x	200	8.1	1.0	198	-	163	7.8	1.0	167		DS71			
250	0.5x	392	8.4	2.1	187	-	315	8.1	2.0	155					
375	0.8x	574	8.7	3.2	177	-	456	8.4	3.1	145					
500	1x	744	8.9	4.5	167	2	660	8.6	4.3	153					
640	1.3x	926	9.2	5.9	158	-	717	8.9	5.7	126					
960	1.9x	1293	9.6	9.3	140	-	966	9.4	9.0	107					
125	0.3x	182	8.1	1.0	180	-	149	7.8	1.0	152	DS71				
250	0.5x	356	8.4	2.1	170	-	286	8.1	2.0	141					
375	0.8x	521	8.7	3.2	161	-	414	8.4	3.1	132					
500	1x	676	8.9	4.5	152	2	600	8.6	4.3	139					
640	1.3x	842	9.2	5.9	143	-	652	8.9	5.7	114					
960	1.9x	1174	9.6	9.3	127	-	877	9.4	9.0	97					
125	0.3x	200	8.1	1.0	198	-	163	7.8	1.0	167		DS71			
250	0.5x	392	8.4	2.1	187	-	315	8.1	2.0	155					
375	0.8x	574	8.7	3.2	177	-	456	8.4	3.1	145					
500	1x	744	8.9	4.5	167	2	660	8.6	4.3	153					
640	1.3x	926	9.2	5.9	158	-	717	8.9	5.7	126					
960	1.9x	1293	9.6	9.3	140	-	966	9.4	9.0	107					
125	0.3x	182	8.1	1.0	180	-	149	7.8	1.0	152	DS71				
250	0.5x	356	8.4	2.1	170	-	286	8.1	2.0	141					
375	0.8x	521	8.7	3.2	161	-	414	8.4	3.1	132					
500	1x	676	8.9	4.5	152	2	600	8.6	4.3	139					
640	1.3x	842	9.2	5.9	143	-	652	8.9	5.7	114					
960	1.9x	1174	9.6	9.3	127	-	877	9.4	9.0	97					

Form Factor	Part Number	CCT (Nominal)	CRI (min)	Current (mA)	Rated Current	Typical Pulsed Flux T _c 25°C (lm)	V _f T _c 25°C (V)	Power T _c 25°C (W)	Typical Efficacy T _c 25°C (lm/W)	Thermal Resistance Junction to Case ¹ (C/W)	Typical DC Flux T _c 85°C (lm)	V _f T _c 85°C (v)	Power T _c 85°C (W)	Typical Efficacy T _c 85°C (lm/W)	Data Sheet
5050 5W 36V Gen2	BXEP-27C-1C5-36B-00-00-0	2700K	70	31	0.2x	185	32.2	1.0	185	-	151	31.2	1.0	157	DS69
				63	0.5x	368	33.4	2.1	175	-	296	32.4	2.0	145	
				94	0.8x	536	34.5	3.2	165	-	426	33.5	3.1	135	
				125	1x	694	35.5	4.4	156	2	616	34.5	4.3	143	
				160	1.3x	864	36.6	5.8	148	-	669	35.5	5.7	118	
				240	1.9x	1206	38.5	9.2	131	-	901	37.4	9.0	100	
5050 5W 36V Gen2	BXEP-27E-1C5-36B-00-00-0	2700K	80	31	0.2x	168	32.2	1.0	168	-	138	31.2	1.0	142	DS69
				63	0.5x	335	33.4	2.1	159	-	269	32.4	2.0	132	
				94	0.8x	488	34.5	3.2	150	-	388	33.5	3.1	123	
				125	1x	631	35.5	4.4	142	2	560	34.5	4.3	130	
				160	1.3x	786	36.6	5.8	134	-	608	35.5	5.7	107	
				240	1.9x	1096	38.5	9.2	119	-	819	37.4	9.0	91	
5050 5W 36V Gen2	BXEP-27G-1C5-36B-00-00-0	2700K	90	31	0.2x	145	32.2	1.0	145	-	118	31.2	1.0	122	DS69
				63	0.5x	288	33.4	2.1	137	-	232	32.4	2.0	114	
				94	0.8x	420	34.5	3.2	129	-	334	33.5	3.1	106	
				125	1x	543	35.5	4.4	122	2	482	34.5	4.3	112	
				160	1.3x	676	36.6	5.8	116	-	523	35.5	5.7	92	
				240	1.9x	943	38.5	9.2	102	-	705	37.4	9.0	78	
5050 5W 36V Gen2	BXEP-30C-1C5-36B-00-00-0	3000K	70	31	0.2x	190	32.2	1.0	190	-	155	31.2	1.0	161	DS69
				63	0.5x	378	33.4	2.1	179	-	304	32.4	2.0	149	
				94	0.8x	550	34.5	3.2	170	-	437	33.5	3.1	139	
				125	1x	712	35.5	4.4	160	2	632	34.5	4.3	146	
				160	1.3x	886	36.6	5.8	152	-	686	35.5	5.7	121	
				240	1.9x	1237	38.5	9.2	134	-	924	37.4	9.0	103	
5050 5W 36V Gen2	BXEP-30E-1C5-36B-00-00-0	3000K	80	31	0.2x	172	32.2	1.0	173	-	141	31.2	1.0	146	DS69
				63	0.5x	343	33.4	2.1	163	-	276	32.4	2.0	135	
				94	0.8x	500	34.5	3.2	154	-	397	33.5	3.1	126	
				125	1x	647	35.5	4.4	146	2	574	34.5	4.3	133	
				160	1.3x	806	36.6	5.8	138	-	624	35.5	5.7	110	
				240	1.9x	1124	38.5	9.2	122	-	840	37.4	9.0	93	
5050 5W 36V Gen2	BXEP-30G-1C5-36B-00-00-0	3000K	90	31	0.2x	148	32.2	1.0	148	-	121	31.2	1.0	125	DS69
				63	0.5x	295	33.4	2.1	140	-	237	32.4	2.0	116	
				94	0.8x	430	34.5	3.2	132	-	342	33.5	3.1	108	
				125	1x	556	35.5	4.4	125	2	493	34.5	4.3	114	
				160	1.3x	692	36.6	5.8	118	-	536	35.5	5.7	94	
				240	1.9x	966	38.5	9.2	105	-	722	37.4	9.0	80	
5050 5W 36V Gen2	BXEP-35C-1C5-36B-00-00-0	3500K	70	31	0.2x	194	32.2	1.0	194	-	159	31.2	1.0	164	DS69
				63	0.5x	387	33.4	2.1	184	-	311	32.4	2.0	152	
				94	0.8x	563	34.5	3.2	174	-	448	33.5	3.1	142	
				125	1x	729	35.5	4.4	164	2	647	34.5	4.3	150	
				160	1.3x	908	36.6	5.8	155	-	703	35.5	5.7	124	
				240	1.9x	1266	38.5	9.2	137	-	946	37.4	9.0	105	
5050 5W 36V Gen2	BXEP-35E-1C5-36B-00-00-0	3500K	80	31	0.2x	177	32.2	1.0	177	-	145	31.2	1.0	150	DS69
				63	0.5x	352	33.4	2.1	167	-	283	32.4	2.0	139	
				94	0.8x	512	34.5	3.2	158	-	407	33.5	3.1	129	
				125	1x	663	35.5	4.4	149	2	588	34.5	4.3	136	
				160	1.3x	825	36.6	5.8	141	-	639	35.5	5.7	112	
				240	1.9x	1152	38.5	9.2	125	-	860	37.4	9.0	96	
5050 5W 36V Gen2	BXEP-40C-1C5-36B-00-00-0	4000K	70	31	0.2x	199	32.2	1.0	199	-	163	31.2	1.0	168	DS69
				63	0.5x	396	33.4	2.1	188	-	319	32.4	2.0	156	
				94	0.8x	577	34.5	3.2	178	-	459	33.5	3.1	146	
				125	1x	747	35.5	4.4	168	2	663	34.5	4.3	154	
				160	1.3x	930	36.6	5.8	159	-	720	35.5	5.7	127	
				240	1.9x	1298	38.5	9.2	141	-	969	37.4	9.0	108	

Form Factor	Part Number	CCT (Nominal)	CRI (min)	Current (mA)	Rated Current	Typical Pulsed Flux T _c 25°C (lm)	V _f T _c 25°C (V)	Power T _c 25°C (W)	Typical Efficacy T _c 25°C (lm/W)	Thermal Resistance Junction to Case ¹ (C/W)	Typical DC Flux T _c 85°C (lm)	V _f T _c 85°C (v)	Power T _c 85°C (W)	Typical Efficacy T _c 85°C (lm/W)	Data Sheet
5050 5W 36V Gen2	BXEP-40E-1C5-36B-00-00-0	4000K	80	31	0.2x	181	32.2	1.0	181	-	148	31.2	1.0	153	DS69
				63	0.5x	360	33.4	2.1	171	-	290	32.4	2.0	142	
				94	0.8x	525	34.5	3.2	162	-	417	33.5	3.1	132	
				125	1x	679	35.5	4.4	153	2	602	34.5	4.3	140	
				160	1.3x	845	36.6	5.8	145	-	654	35.5	5.7	115	
				240	1.9x	1180	38.5	9.2	128	-	881	37.4	9.0	98	
				31	0.2x	199	32.2	1.0	199	-	163	31.2	1.0	168	
63	0.5x	396	33.4	2.1	188	-	319	32.4	2.0	156					
94	0.8x	577	34.5	3.2	178	-	459	33.5	3.1	146					
125	1x	747	35.5	4.4	168	2	663	34.5	4.3	154					
160	1.3x	930	36.6	5.8	159	-	720	35.5	5.7	127					
240	1.9x	1298	38.5	9.2	141	-	969	37.4	9.0	108					
31	0.2x	181	32.2	1.0	181	-	148	31.2	1.0	153	DS69				
63	0.5x	360	33.4	2.1	171	-	290	32.4	2.0	142					
94	0.8x	525	34.5	3.2	162	-	417	33.5	3.1	132					
125	1x	679	35.5	4.4	153	2	602	34.5	4.3	140					
160	1.3x	845	36.6	5.8	145	-	654	35.5	5.7	115					
240	1.9x	1180	38.5	9.2	128	-	881	37.4	9.0	98					
31	0.2x	199	32.2	1.0	199	-	163	31.2	1.0	168		DS69			
63	0.5x	396	33.4	2.1	188	-	319	32.4	2.0	156					
94	0.8x	577	34.5	3.2	178	-	459	33.5	3.1	146					
125	1x	747	35.5	4.4	168	2	663	34.5	4.3	154					
160	1.3x	930	36.6	5.8	159	-	720	35.5	5.7	127					
240	1.9x	1298	38.5	9.2	141	-	969	37.4	9.0	108					
31	0.2x	181	32.2	1.0	181	-	148	31.2	1.0	153	DS69				
63	0.5x	360	33.4	2.1	171	-	290	32.4	2.0	142					
94	0.8x	525	34.5	3.2	162	-	417	33.5	3.1	132					
125	1x	679	35.5	4.4	153	2	602	34.5	4.3	140					
160	1.3x	845	36.6	5.8	145	-	654	35.5	5.7	115					
240	1.9x	1180	38.5	9.2	128	-	881	37.4	9.0	98					
31	0.2x	198	32.2	1.0	198	-	162	31.2	1.0	168		DS69			
63	0.5x	395	33.4	2.1	187	-	318	32.4	2.0	156					
94	0.8x	575	34.5	3.2	177	-	457	33.5	3.1	145					
125	1x	744	35.5	4.4	168	2	660	34.5	4.3	153					
160	1.3x	926	36.6	5.8	158	-	717	35.5	5.7	126					
240	1.9x	1293	38.5	9.2	140	-	966	37.4	9.0	107					
31	0.2x	180	32.2	1.0	180	-	147	31.2	1.0	152	DS69				
63	0.5x	359	33.4	2.1	170	-	289	32.4	2.0	141					
94	0.8x	522	34.5	3.2	161	-	415	33.5	3.1	132					
125	1x	676	35.5	4.4	152	2	600	34.5	4.3	139					
160	1.3x	842	36.6	5.8	144	-	652	35.5	5.7	115					
240	1.9x	1174	38.5	9.2	127	-	877	37.4	9.0	98					
31	0.2x	198	32.2	1.0	198	-	162	31.2	1.0	168		DS69			
63	0.5x	395	33.4	2.1	187	-	318	32.4	2.0	156					
94	0.8x	575	34.5	3.2	177	-	457	33.5	3.1	145					
125	1x	744	35.5	4.4	168	2	660	34.5	4.3	153					
160	1.3x	926	36.6	5.8	158	-	717	35.5	5.7	126					
240	1.9x	1293	38.5	9.2	140	-	966	37.4	9.0	107					
31	0.2x	180	32.2	1.0	180	-	147	31.2	1.0	152	DS69				
63	0.5x	359	33.4	2.1	170	-	289	32.4	2.0	141					
94	0.8x	522	34.5	3.2	161	-	415	33.5	3.1	132					
125	1x	676	35.5	4.4	152	2	600	34.5	4.3	139					
160	1.3x	842	36.6	5.8	144	-	652	35.5	5.7	115					
240	1.9x	1174	38.5	9.2	127	-	877	37.4	9.0	98					

Form Factor	Part Number	CCT (Nominal)	CRI (min)	Current (mA)	Rated Current	Typical Pulsed Flux T _c 25°C (lm)	V _f T _c 25°C (V)	Power T _c 25°C (W)	Typical Efficacy T _c 25°C (lm/W)	Thermal Resistance Junction to Case ¹ (C/W)	Typical DC Flux T _c 85°C (lm)	V _f T _c 85°C (v)	Power T _c 85°C (W)	Typical Efficacy T _c 85°C (lm/W)	Data Sheet
5050 1W 24V	BXEP-27C-181-24A-00-00-0	2700K	70	30	0.7x	123	21.6	0.6	189	-	99	20.8	0.6	159	DS73
				45	1x	183	22.0	1.0	185	3	164	21.2	1.0	172	
				90	2x	355	23.0	2.1	171	-	281	22.2	2.0	141	
				135	3x	516	23.9	3.2	160	-	402	23.1	3.1	129	
				180	4x	666	24.7	4.4	150	-	508	23.9	4.3	118	
				240	5x	848	25.5	6.1	139	-	629	24.7	5.9	106	
5050 1W 24V	BXEP-27E-181-24A-00-00-0	2700K	80	30	0.7x	111	21.6	0.6	172	-	90	20.8	0.6	144	DS73
				45	1x	166	22.0	1.0	168	3	149	21.2	1.0	156	
				90	2x	322	23.0	2.1	156	-	255	22.2	2.0	128	
				135	3x	468	23.9	3.2	145	-	364	23.1	3.1	117	
				180	4x	604	24.7	4.4	136	-	461	23.9	4.3	107	
				240	5x	770	25.5	6.1	126	-	570	24.7	5.9	96	
5050 1W 24V	BXEP-27G-181-24A-00-00-0	2700K	90	30	0.7x	96	21.6	0.6	148	-	77	20.8	0.6	124	DS73
				45	1x	143	22.0	1.0	144	3	128	21.2	1.0	134	
				90	2x	277	23.0	2.1	134	-	220	22.2	2.0	110	
				135	3x	403	23.9	3.2	125	-	314	23.1	3.1	101	
				180	4x	520	24.7	4.4	117	-	397	23.9	4.3	92	
				240	5x	663	25.5	6.1	108	-	491	24.7	5.9	83	
5050 1W 24V	BXEP-30C-181-24A-00-00-0	3000K	70	30	0.7x	125	21.6	0.6	194	-	101	20.8	0.6	162	DS73
				45	1x	187	22.0	1.0	189	3	168	21.2	1.0	176	
				90	2x	363	23.0	2.1	175	-	287	22.2	2.0	144	
				135	3x	527	23.9	3.2	163	-	410	23.1	3.1	131	
				180	4x	681	24.7	4.4	153	-	519	23.9	4.3	121	
				240	5x	867	25.5	6.1	142	-	642	24.7	5.9	108	
5050 1W 24V	BXEP-30E-181-24A-00-00-0	3000K	80	30	0.7x	114	21.6	0.6	176	-	92	20.8	0.6	148	DS73
				45	1x	170	22.0	1.0	172	3	152	21.2	1.0	160	
				90	2x	330	23.0	2.1	159	-	261	22.2	2.0	131	
				135	3x	480	23.9	3.2	149	-	373	23.1	3.1	119	
				180	4x	619	24.7	4.4	139	-	472	23.9	4.3	110	
				240	5x	788	25.5	6.1	129	-	584	24.7	5.9	99	
5050 1W 24V	BXEP-30G-181-24A-00-00-0	3000K	90	30	0.7x	98	21.6	0.6	151	-	79	20.8	0.6	127	DS73
				45	1x	146	22.0	1.0	147	3	131	21.2	1.0	137	
				90	2x	283	23.0	2.1	137	-	224	22.2	2.0	112	
				135	3x	412	23.9	3.2	128	-	320	23.1	3.1	103	
				180	4x	531	24.7	4.4	120	-	405	23.9	4.3	94	
				240	5x	677	25.5	6.1	111	-	501	24.7	5.9	85	
5050 1W 24V	BXEP-35C-181-24A-00-00-0	3500K	70	30	0.7x	129	21.6	0.6	200	-	105	20.8	0.6	168	DS73
				45	1x	193	22.0	1.0	195	3	173	21.2	1.0	181	
				90	2x	374	23.0	2.1	181	-	297	22.2	2.0	148	
				135	3x	544	23.9	3.2	169	-	423	23.1	3.1	136	
				180	4x	702	24.7	4.4	158	-	536	23.9	4.3	125	
				240	5x	895	25.5	6.1	146	-	663	24.7	5.9	112	
5050 1W 24V	BXEP-35E-181-24A-00-00-0	3500K	80	30	0.7x	117	21.6	0.6	181	-	95	20.8	0.6	152	DS73
				45	1x	175	22.0	1.0	177	3	157	21.2	1.0	164	
				90	2x	340	23.0	2.1	164	-	269	22.2	2.0	134	
				135	3x	494	23.9	3.2	153	-	384	23.1	3.1	123	
				180	4x	637	24.7	4.4	143	-	486	23.9	4.3	113	
				240	5x	811	25.5	6.1	133	-	601	24.7	5.9	101	
5050 1W 24V	BXEP-40C-181-24A-00-00-0	4000K	70	30	0.7x	132	21.6	0.6	204	-	107	20.8	0.6	171	DS73
				45	1x	197	22.0	1.0	199	3	177	21.2	1.0	185	
				90	2x	382	23.0	2.1	185	-	303	22.2	2.0	151	
				135	3x	556	23.9	3.2	172	-	432	23.1	3.1	138	
				180	4x	717	24.7	4.4	161	-	547	23.9	4.3	127	
				240	5x	913	25.5	6.1	149	-	677	24.7	5.9	114	

Form Factor	Part Number	CCT (Nominal)	CRI (min)	Current (mA)	Rated Current	Typical Pulsed Flux T _c 25°C (lm)	V _f T _c 25°C (V)	Power T _c 25°C (W)	Typical Efficacy T _c 25°C (lm/W)	Thermal Resistance Junction to Case ¹ (C/W)	Typical DC Flux T _c 85°C (lm)	V _f T _c 85°C (v)	Power T _c 85°C (W)	Typical Efficacy T _c 85°C (lm/W)	Data Sheet
5050 1W 24V	BXEP-40E-181-24A-00-00-0	4000K	80	30	0.7x	120	21.6	0.6	185	-	97	20.8	0.6	155	DS73
				45	1x	179	22.0	1.0	181	3	160	21.2	1.0	168	
				90	2x	347	23.0	2.1	168	-	275	22.2	2.0	138	
				135	3x	505	23.9	3.2	156	-	393	23.1	3.1	126	
				180	4x	652	24.7	4.4	147	-	497	23.9	4.3	116	
				240	5x	830	25.5	6.1	136	-	615	24.7	5.9	104	
5050 1W 24V	BXEP-45C-181-24A-00-00-0	4500K	70	30	0.7x	132	21.6	0.6	204	-	107	20.8	0.6	171	DS73
				45	1x	197	22.0	1.0	199	3	177	21.2	1.0	185	
				90	2x	382	23.0	2.1	185	-	303	22.2	2.0	151	
				135	3x	556	23.9	3.2	172	-	432	23.1	3.1	138	
				180	4x	717	24.7	4.4	161	-	547	23.9	4.3	127	
				240	5x	913	25.5	6.1	149	-	677	24.7	5.9	114	
5050 1W 24V	BXEP-45E-181-24A-00-00-0	4500K	80	30	0.7x	120	21.6	0.6	185	-	97	20.8	0.6	155	DS73
				45	1x	179	22.0	1.0	181	3	160	21.2	1.0	168	
				90	2x	347	23.0	2.1	168	-	275	22.2	2.0	138	
				135	3x	505	23.9	3.2	156	-	393	23.1	3.1	126	
				180	4x	652	24.7	4.4	147	-	497	23.9	4.3	116	
				240	5x	830	25.5	6.1	136	-	615	24.7	5.9	104	
5050 1W 24V	BXEP-50C-181-24A-00-00-0	5000K	70	30	0.7x	132	21.6	0.6	204	-	107	20.8	0.6	171	DS73
				45	1x	197	22.0	1.0	199	3	177	21.2	1.0	185	
				90	2x	382	23.0	2.1	185	-	303	22.2	2.0	151	
				135	3x	556	23.9	3.2	172	-	432	23.1	3.1	138	
				180	4x	717	24.7	4.4	161	-	547	23.9	4.3	127	
				240	5x	913	25.5	6.1	149	-	677	24.7	5.9	114	
5050 1W 24V	BXEP-50E-181-24A-00-00-0	5000K	80	30	0.7x	120	21.6	0.6	185	-	97	20.8	0.6	155	DS73
				45	1x	179	22.0	1.0	181	3	160	21.2	1.0	168	
				90	2x	347	23.0	2.1	168	-	275	22.2	2.0	138	
				135	3x	505	23.9	3.2	156	-	393	23.1	3.1	126	
				180	4x	652	24.7	4.4	147	-	497	23.9	4.3	116	
				240	5x	830	25.5	6.1	136	-	615	24.7	5.9	104	
5050 1W 24V	BXEP-57C-181-24A-00-00-0	5700K	70	30	0.7x	131	21.6	0.6	203	-	106	20.8	0.6	170	DS73
				45	1x	196	22.0	1.0	198	3	176	21.2	1.0	184	
				90	2x	380	23.0	2.1	184	-	301	22.2	2.0	151	
				135	3x	553	23.9	3.2	171	-	430	23.1	3.1	138	
				180	4x	713	24.7	4.4	161	-	544	23.9	4.3	127	
				240	5x	909	25.5	6.1	149	-	673	24.7	5.9	114	
5050 1W 24V	BXEP-57E-181-24A-00-00-0	5700K	80	30	0.7x	119	21.6	0.6	184	-	96	20.8	0.6	155	DS73
				45	1x	178	22.0	1.0	180	3	159	21.2	1.0	167	
				90	2x	345	23.0	2.1	167	-	273	22.2	2.0	137	
				135	3x	502	23.9	3.2	156	-	391	23.1	3.1	125	
				180	4x	648	24.7	4.4	146	-	494	23.9	4.3	115	
				240	5x	825	25.5	6.1	135	-	611	24.7	5.9	103	
5050 1W 24V	BXEP-65C-181-24A-00-00-0	6500K	70	30	0.7x	131	21.6	0.6	203	-	106	20.8	0.6	170	DS73
				45	1x	196	22.0	1.0	198	3	176	21.2	1.0	184	
				90	2x	380	23.0	2.1	184	-	301	22.2	2.0	151	
				135	3x	553	23.9	3.2	171	-	430	23.1	3.1	138	
				180	4x	713	24.7	4.4	161	-	544	23.9	4.3	127	
				240	5x	909	25.5	6.1	149	-	673	24.7	5.9	114	
5050 1W 24V	BXEP-65E-181-24A-00-00-0	6500K	80	30	0.7x	119	21.6	0.6	184	-	96	20.8	0.6	155	DS73
				45	1x	178	22.0	1.0	180	3	159	21.2	1.0	167	
				90	2x	345	23.0	2.1	167	-	273	22.2	2.0	137	
				135	3x	502	23.9	3.2	156	-	391	23.1	3.1	125	
				180	4x	648	24.7	4.4	146	-	494	23.9	4.3	115	
				240	5x	825	25.5	6.1	135	-	611	24.7	5.9	103	