

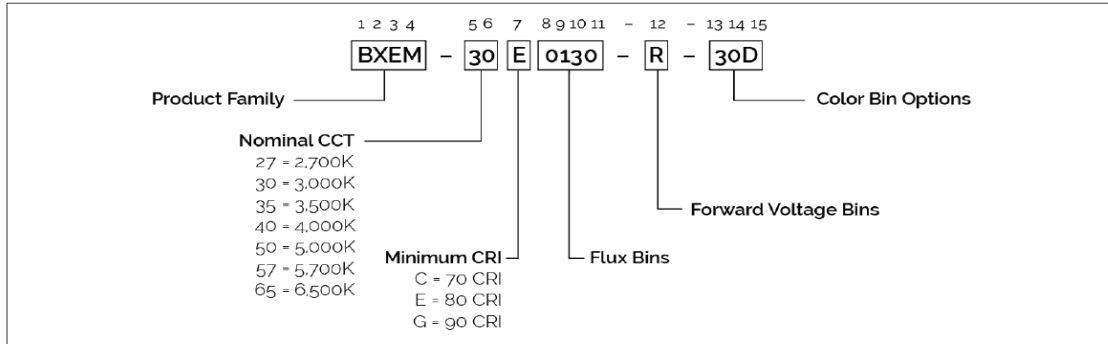


Bridgelux SMD: Product Selection Guide PSG-050 Rev. A

Refer to relevant product data sheets for specific information on application and performance.
 Product Data sheets available at Bridgelux.com or from Bridgelux Sales Representatives.
 The tables below include the base BXEM and BXEN part number which defines color (CCT), color rendering (CRI) and flux characteristics.

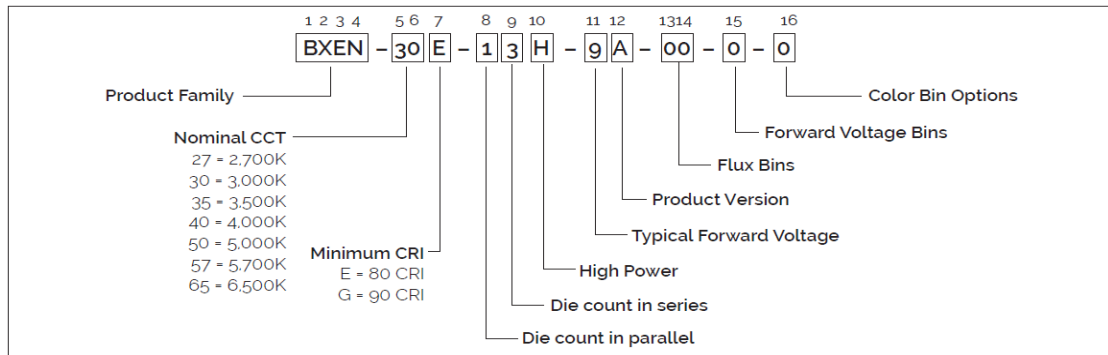
Product Nomenclature – BXEM (3030 1W 6V) Series Part Numbers

The part number designation for Bridgelux SMD 3030 is explained as follows:



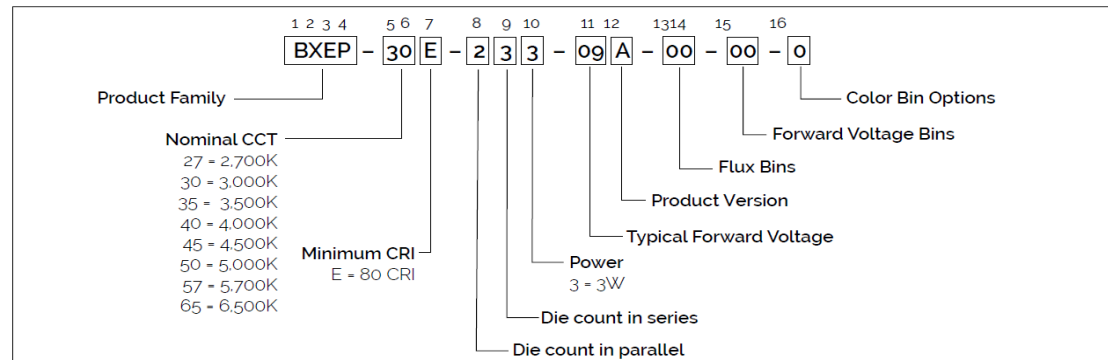
Product Nomenclature – BXEN (2835) Series Part Numbers (SMD3030 3V same structure)

The part number designation for Bridgelux SMD 2835 is explained as follows:



Product Nomenclature – BXEP (5050) Series Part Numbers

The part number designation for Bridgelux SMD 5050 is explained as follows:



Form Factor	Part Number	CCT (Nominal)	CRI (min)	Current (mA)	Rated Current	Typical Pulsed Flux T _c 25°C (lm)	V _f T _c 25°C (V)	Power T _c 25°C (W)	Typical Efficacy T _c 25°C (lm/W)	Thermal Resistance Junction to Case ¹ (C/W)	Typical DC Flux T _c 85°C (lm)	V _f T _c 85°C (V)	Power T _c 85°C (W)	Typical Efficacy T _c 85°C (lm/W)	Data Sheet
3030 1W 6V	BXEM-27C0000-0-000	2700K	70	30	0.2x	28	5.5	0.2	171	-	24	5.3	0.2	153	DS51
				60	0.4x	55	5.7	0.3	159	-	47	5.5	0.3	143	
				100	0.7x	87	6.0	0.6	145	-	74	5.8	0.6	128	
				150	1x	123	6.25	0.9	131	12	102	6.0	0.9	113	
				200	1.3x	156	6.5	1.3	119	-	124	6.3	1.3	98	
				240	1.6x	179	6.7	1.6	111	-	138	6.5	1.6	88	
3030 1W 6V	BXEM-27E0000-0-000	2700K	80	30	0.2x	27	5.5	0.2	163	-	24	5.3	0.2	149	DS51
				60	0.4x	52	5.7	0.3	152	-	46	5.5	0.3	140	
				100	0.7x	82	6.0	0.6	138	-	72	5.8	0.6	125	
				150	1x	117	6.25	0.9	125	12	99	6.0	0.9	111	
				200	1.3x	148	6.5	1.3	114	-	121	6.3	1.3	96	
				240	1.6x	170	6.7	1.6	106	-	134	6.5	1.6	86	
3030 1W 6V	BXEM-27G0000-0-000	2700K	90	30	0.2x	22	5.5	0.2	136	-	20	5.3	0.2	125	DS51
				60	0.4x	43	5.7	0.3	127	-	39	5.5	0.3	117	
				100	0.7x	69	6.0	0.6	116	-	60	5.8	0.6	105	
				150	1x	98	6.25	0.9	105	12	83	6.0	0.9	93	
				200	1.3x	124	6.5	1.3	95	-	101	6.3	1.3	80	
				240	1.6x	142	6.7	1.6	88	-	112	6.5	1.6	72	
3030 1W 6V	BXEM-30C0000-0-000	3000K	70	30	0.2x	29	5.5	0.2	175	-	25	5.3	0.2	157	DS51
				60	0.4x	56	5.7	0.3	163	-	49	5.5	0.3	147	
				100	0.7x	89	6.0	0.6	149	-	76	5.8	0.6	131	
				150	1x	126	6.25	0.9	134	12	105	6.0	0.9	116	
				200	1.3x	159	6.5	1.3	122	-	127	6.3	1.3	100	
				240	1.6x	183	6.7	1.6	114	-	141	6.5	1.6	90	
3030 1W 6V	BXEM-30E0000-0-000	3000K	80	30	0.2x	28	5.5	0.2	171	-	25	5.3	0.2	157	DS51
				60	0.4x	55	5.7	0.3	159	-	49	5.5	0.3	147	
				100	0.7x	87	6.0	0.6	145	-	76	5.8	0.6	131	
				150	1x	123	6.25	0.9	131	12	105	6.0	0.9	116	
				200	1.3x	156	6.5	1.3	119	-	127	6.3	1.3	100	
				240	1.6x	179	6.7	1.6	111	-	141	6.5	1.6	90	
3030 1W 6V	BXEM-30G0000-0-000	3000K	90	30	0.2x	23	5.5	0.2	143	-	21	5.3	0.2	131	DS51
				60	0.4x	46	5.7	0.3	134	-	41	5.5	0.3	123	
				100	0.7x	73	6.0	0.6	122	-	64	5.8	0.6	110	
				150	1x	103	6.25	0.9	110	12	88	6.0	0.9	97	
				200	1.3x	130	6.5	1.3	100	-	107	6.3	1.3	84	
				240	1.6x	150	6.7	1.6	93	-	118	6.5	1.6	75	
3030 1W 6V	BXEM-35C0000-0-000	3500K	70	30	0.2x	29	5.5	0.2	179	-	26	5.3	0.2	163	DS51
				60	0.4x	57	5.7	0.3	167	-	50	5.5	0.3	152	
				100	0.7x	91	6.0	0.6	153	-	79	5.8	0.6	136	
				150	1x	129	6.25	0.9	138	12	108	6.0	0.9	120	
				200	1.3x	163	6.5	1.3	125	-	132	6.3	1.3	104	
				240	1.6x	187	6.7	1.6	116	-	146	6.5	1.6	93	
3030 1W 6V	BXEM-35E0000-0-000	3500K	80	30	0.2x	28	5.5	0.2	174	-	25	5.3	0.2	158	DS51
				60	0.4x	55	5.7	0.3	162	-	49	5.5	0.3	147	
				100	0.7x	88	6.0	0.6	148	-	76	5.8	0.6	132	
				150	1x	125	6.25	0.9	133	12	105	6.0	0.9	117	
				200	1.3x	158	6.5	1.3	121	-	128	6.3	1.3	101	
				240	1.6x	182	6.7	1.6	113	-	142	6.5	1.6	90	
3030 1W 6V	BXEM-35G0000-0-000	3500K	90	30	0.2x	24	5.5	0.2	146	-	21	5.3	0.2	136	DS51
				60	0.4x	47	5.7	0.3	136	-	42	5.5	0.3	127	
				100	0.7x	74	6.0	0.6	124	-	66	5.8	0.6	113	
				150	1x	105	6.25	0.9	112	12	90	6.0	0.9	100	
				200	1.3x	133	6.5	1.3	102	-	110	6.3	1.3	87	
				240	1.6x	153	6.7	1.6	95	-	122	6.5	1.6	78	

Form Factor	Part Number	CCT (Nominal)	CRI (min)	Current (mA)	Rated Current	Typical Pulsed Flux T _c 25°C (lm)	V _f T _c 25°C (V)	Power T _c 25°C (W)	Typical Efficacy T _c 25°C (lm/W)	Thermal Resistance Junction to Case ¹ (C/W)	Typical DC Flux T _c 85°C (lm)	V _f T _c 85°C (V)	Power T _c 85°C (W)	Typical Efficacy T _c 85°C (lm/W)	Data Sheet
3030 1W 6V	BXEM-40C0000-0-000	4000K	70	30	0.2x	30	5.5	0.2	185	-	27	5.3	0.2	168	DS51
				60	0.4x	59	5.7	0.3	172	-	52	5.5	0.3	157	
				100	0.7x	94	6.0	0.6	157	-	81	5.8	0.6	140	
				150	1x	133	6.25	0.9	142	12	112	6.0	0.9	124	
				200	1.3x	168	6.5	1.3	129	-	136	6.3	1.3	107	
				240	1.6x	193	6.7	1.6	120	-	151	6.5	1.6	96	
3030 1W 6V	BXEM-40E0000-0-000	4000K	80	30	0.2x	29	5.5	0.2	176	-	25	5.3	0.2	160	DS51
				60	0.4x	56	5.7	0.3	165	-	50	5.5	0.3	150	
				100	0.7x	90	6.0	0.6	150	-	77	5.8	0.6	134	
				150	1x	127	6.25	0.9	135	12	107	6.0	0.9	119	
				200	1.3x	161	6.5	1.3	123	-	130	6.3	1.3	103	
				240	1.6x	185	6.7	1.6	115	-	144	6.5	1.6	92	
3030 1W 6V	BXEM-40G0000-0-000	4000K	90	30	0.2x	25	5.5	0.2	150	-	22	5.3	0.2	139	DS51
				60	0.4x	48	5.7	0.3	140	-	43	5.5	0.3	130	
				100	0.7x	76	6.0	0.6	128	-	67	5.8	0.6	117	
				150	1x	108	6.25	0.9	115	12	93	6.0	0.9	103	
				200	1.3x	137	6.5	1.3	105	-	113	6.3	1.3	89	
				240	1.6x	157	6.7	1.6	97	-	125	6.5	1.6	80	
3030 1W 6V	BXEM-50C0000-0-000	5000K	70	30	0.2x	30	5.5	0.2	185	-	27	5.3	0.2	170	DS51
				60	0.4x	59	5.7	0.3	172	-	53	5.5	0.3	159	
				100	0.7x	94	6.0	0.6	157	-	82	5.8	0.6	142	
				150	1x	133	6.25	0.9	142	12	113	6.0	0.9	126	
				200	1.3x	168	6.5	1.3	129	-	138	6.3	1.3	109	
				240	1.6x	193	6.7	1.6	120	-	152	6.5	1.6	97	
3030 1W 6V	BXEM-50E0000-0-000	5000K	80	30	0.2x	29	5.5	0.2	176	-	25	5.3	0.2	160	DS51
				60	0.4x	56	5.7	0.3	165	-	50	5.5	0.3	150	
				100	0.7x	90	6.0	0.6	150	-	77	5.8	0.6	134	
				150	1x	127	6.25	0.9	135	12	107	6.0	0.9	119	
				200	1.3x	161	6.5	1.3	123	-	130	6.3	1.3	103	
				240	1.6x	185	6.7	1.6	115	-	144	6.5	1.6	92	
3030 1W 6V	BXEM-50G0000-0-000	5000K	90	30	0.2x	25	5.5	0.2	150	-	22	5.3	0.2	138	DS51
				60	0.4x	48	5.7	0.3	140	-	43	5.5	0.3	129	
				100	0.7x	76	6.0	0.6	128	-	67	5.8	0.6	115	
				150	1x	108	6.25	0.9	115	12	92	6.0	0.9	102	
				200	1.3x	137	6.5	1.3	105	-	112	6.3	1.3	88	
				240	1.6x	157	6.7	1.6	97	-	124	6.5	1.6	79	
3030 1W 6V	BXEM-57C0000-0-000	5700K	70	30	0.2x	30	5.5	0.2	185	-	27	5.3	0.2	170	DS51
				60	0.4x	59	5.7	0.3	172	-	53	5.5	0.3	159	
				100	0.7x	94	6.0	0.6	157	-	82	5.8	0.6	142	
				150	1x	133	6.25	0.9	142	12	113	6.0	0.9	126	
				200	1.3x	168	6.5	1.3	129	-	138	6.3	1.3	109	
				240	1.6x	193	6.7	1.6	120	-	152	6.5	1.6	97	
3030 1W 6V	BXEM-57E0000-0-000	5700K	80	30	0.2x	29	5.5	0.2	176	-	25	5.3	0.2	160	DS51
				60	0.4x	56	5.7	0.3	165	-	50	5.5	0.3	150	
				100	0.7x	90	6.0	0.6	150	-	77	5.8	0.6	134	
				150	1x	127	6.25	0.9	135	12	107	6.0	0.9	119	
				200	1.3x	161	6.5	1.3	123	-	130	6.3	1.3	103	
				240	1.6x	185	6.7	1.6	115	-	144	6.5	1.6	92	
3030 1W 6V	BXEM-57G0000-0-000	5700K	90	30	0.2x	25	5.5	0.2	150	-	22	5.3	0.2	138	DS51
				60	0.4x	48	5.7	0.3	140	-	43	5.5	0.3	129	
				100	0.7x	76	6.0	0.6	128	-	67	5.8	0.6	115	
				150	1x	108	6.25	0.9	115	12	92	6.0	0.9	102	
				200	1.3x	137	6.5	1.3	105	-	112	6.3	1.3	88	
				240	1.6x	157	6.7	1.6	97	-	124	6.5	1.6	79	

Form Factor	Part Number	CCT (Nominal)	CRI (min)	Current (mA)	Rated Current	Typical Pulsed Flux T _c 25°C (lm)	V _f T _c 25°C (V)	Power T _c 25°C (W)	Typical Efficacy T _c 25°C (lm/W)	Thermal Resistance Junction to Case ¹ (C/W)	Typical DC Flux T _c 85°C (lm)	V _f T _c 85°C (v)	Power T _c 85°C (W)	Typical Efficacy T _c 85°C (lm/W)	Data Sheet
3030 1W 6V	BXEM-65C0000-0-000	6500K	70	30	0.2x	30	5.5	0.2	185	-	27	5.3	0.2	170	DS51
				60	0.4x	59	5.7	0.3	172	-	53	5.5	0.3	159	
				100	0.7x	94	6.0	0.6	157	-	82	5.8	0.6	142	
				150	1x	133	6.25	0.9	142	12	113	6.0	0.9	126	
				200	1.3x	168	6.5	1.3	129	-	138	6.3	1.3	109	
				240	1.6x	193	6.7	1.6	120	-	152	6.5	1.6	97	
3030 1W 6V	BXEM-65E0000-0-000	6500K	80	30	0.2x	29	5.5	0.2	175	-	25	5.3	0.2	157	DS51
				60	0.4x	56	5.7	0.3	163	-	49	5.5	0.3	147	
				100	0.7x	89	6.0	0.6	149	-	76	5.8	0.6	131	
				150	1x	126	6.25	0.9	134	12	105	6.0	0.9	116	
				200	1.3x	159	6.5	1.3	122	-	127	6.3	1.3	100	
				240	1.6x	183	6.7	1.6	114	-	141	6.5	1.6	90	
3030 1W 6V	BXEM-65G0000-0-000	6500K	90	30	0.2x	25	5.5	0.2	150	-	22	5.3	0.2	138	DS51
				60	0.4x	48	5.7	0.3	140	-	43	5.5	0.3	129	
				100	0.7x	76	6.0	0.6	128	-	67	5.8	0.6	115	
				150	1x	108	6.25	0.9	115	12	92	6.0	0.9	102	
				200	1.3x	137	6.5	1.3	105	-	112	6.3	1.3	88	
				240	1.6x	157	6.7	1.6	97	-	124	6.5	1.6	79	

Form Factor	Part Number	CCT (Nominal)	CRI (min)	Current (mA)	Rated Current	Typical Pulsed Flux T _c 25°C (lm)	V _f T _c 25°C (V)	Power T _c 25°C (W)	Typical Efficacy T _c 25°C (lm/W)	Thermal Resistance Junction to Case ¹ (C/W)	Typical DC Flux T _c 85°C (lm)	V _f T _c 85°C (V)	Power T _c 85°C (W)	Typical Efficacy T _c 85°C (lm/W)	Data Sheet
3030 1W 3V	BXEM-27C-21H-3A-00-0-0	2700K	70	60	0.2x	28	2.8	0.2	168	-	24	2.6	0.2	155	DS66
				120	0.4x	54	2.9	0.3	156	-	47	2.7	0.3	145	
				200	0.7x	86	3.1	0.6	142	-	74	2.9	0.6	129	
				300	1x	123	3.2	1.0	128	12	102	6.0	1.8	57	
				400	1.3x	153	3.4	1.3	114	-	124	3.2	1.3	98	
3030 1W 3V	BXEM-27E-21H-3A-00-0-0	2700K	80	60	0.2x	27	2.8	0.2	160	-	24	2.6	0.2	151	DS66
				120	0.4x	52	2.9	0.3	148	-	46	2.7	0.3	141	
				200	0.7x	82	3.1	0.6	135	-	72	2.9	0.6	126	
				300	1x	117	3.2	1.0	122	12	99	6.0	1.8	55	
				400	1.3x	145	3.4	1.3	108	-	121	3.2	1.3	95	
3030 1W 3V	BXEM-27G-21H-3A-00-0-0	2700K	90	60	0.2x	22	2.8	0.2	134	-	20	2.6	0.2	126	DS66
				120	0.4x	43	2.9	0.3	124	-	39	2.7	0.3	118	
				200	0.7x	69	3.1	0.6	113	-	60	2.9	0.6	105	
				300	1x	98	3.2	1.0	102	12	83	6.0	1.8	46	
				400	1.3x	122	3.4	1.3	91	-	101	3.2	1.3	80	
3030 1W 3V	BXEM-30C-21H-3A-00-0-0	3000K	70	60	0.2x	29	2.8	0.2	172	-	25	2.6	0.2	158	DS66
				120	0.4x	56	2.9	0.3	159	-	49	2.7	0.3	148	
				200	0.7x	89	3.1	0.6	145	-	76	2.9	0.6	132	
				300	1x	126	3.2	1.0	131	12	105	6.0	1.8	58	
				400	1.6x	157	3.4	1.3	117	-	141	3.2	1.3	111	
3030 1W 3V	BXEM-30E-21H-3A-00-0-0	3000K	80	60	0.2x	28	2.8	0.2	168	-	25	2.6	0.2	158	DS66
				120	0.4x	54	2.9	0.3	156	-	49	2.7	0.3	148	
				200	0.7x	86	3.1	0.6	142	-	76	2.9	0.6	132	
				300	1x	123	3.2	1.0	128	12	105	6.0	1.8	58	
				400	1.3x	153	3.4	1.3	114	-	127	3.2	1.3	100	
3030 1W 3V	BXEM-30G-21H-3A-00-0-0	3000K	90	60	0.2x	24	2.8	0.2	141	-	21	2.6	0.2	133	DS66
				120	0.4x	46	2.9	0.3	130	-	41	2.7	0.3	124	
				200	0.7x	72	3.1	0.6	119	-	64	2.9	0.6	111	
				300	1x	103	3.2	1.0	107	12	88	6.0	1.8	49	
				400	1.3x	128	3.4	1.3	95	-	107	3.2	1.3	84	
3030 1W 3V	BXEM-35C-21H-3A-00-0-0	3500K	70	60	0.2x	30	2.8	0.2	177	-	26	2.6	0.2	164	DS66
				120	0.4x	57	2.9	0.3	163	-	50	2.7	0.3	154	
				200	0.7x	91	3.1	0.6	148	-	79	2.9	0.6	137	
				300	1x	129	3.2	1.0	134	12	108	6.0	1.8	60	
				400	1.3x	160	3.4	1.3	120	-	132	3.2	1.3	104	
3030 1W 3V	BXEM-35E-21H-3A-00-0-0	3500K	80	60	0.2x	29	2.8	0.2	171	-	25	2.6	0.2	159	DS66
				120	0.4x	55	2.9	0.3	158	-	49	2.7	0.3	149	
				200	0.7x	88	3.1	0.6	144	-	76	2.9	0.6	133	
				300	1x	125	3.2	1.0	130	12	105	6.0	1.8	58	
				400	1.3x	155	3.4	1.3	116	-	128	3.2	1.3	101	
3030 1W 3V	BXEM-35G-21H-3A-00-0-0	3500K	90	60	0.2x	24	2.8	0.2	144	-	21	2.6	0.2	137	DS66
				120	0.4x	46	2.9	0.3	133	-	42	2.7	0.3	128	
				200	0.7x	74	3.1	0.6	121	-	66	2.9	0.6	114	
				300	1x	105	3.2	1.0	109	12	90	6.0	1.8	50	
				400	1.3x	130	3.4	1.3	97	-	110	3.2	1.3	87	

Form Factor	Part Number	CCT (Nominal)	CRI (min)	Current (mA)	Rated Current	Typical Pulsed Flux T _c 25°C (lm)	V _f T _c 25°C (V)	Power T _c 25°C (W)	Typical Efficacy T _c 25°C (lm/W)	Thermal Resistance Junction to Case ¹ (C/W)	Typical DC Flux T _c 85°C (lm)	V _f T _c 85°C (V)	Power T _c 85°C (W)	Typical Efficacy T _c 85°C (lm/W)	Data Sheet
3030 1W 3V	BXEM-40C-21H-3A-00-0-0	4000K	70	60	0.2x	31	2.8	0.2	182	-	26	2.6	0.2	168	DS66
				120	0.4x	59	2.9	0.3	168	-	52	2.7	0.3	157	
				200	0.7x	93	3.1	0.6	153	-	81	2.9	0.6	142	
				300	1x	133	3.2	1.0	139	12	112	6.0	1.8	62	
				400	1.3x	165	3.4	1.3	123	-	137	3.2	1.3	108	
3030 1W 3V	BXEM-40E-21H-3A-00-0-0	4000K	80	60	0.2x	29	2.8	0.2	174	-	25	2.6	0.2	160	DS66
				120	0.4x	56	2.9	0.3	161	-	49	2.7	0.3	150	
				200	0.7x	89	3.1	0.6	146	-	78	2.9	0.6	135	
				300	1x	127	3.2	1.0	132	12	107	6.0	1.8	59	
				400	1.3x	158	3.4	1.3	118	-	131	3.2	1.3	103	
3030 1W 3V	BXEM-40G-21H-3A-00-0-0	4000K	90	60	0.2x	25	2.8	0.2	148	-	22	2.6	0.2	140	DS66
				120	0.4x	48	2.9	0.3	137	-	43	2.7	0.3	131	
				200	0.7x	76	3.1	0.6	124	-	68	2.9	0.6	118	
				300	1x	108	3.2	1.0	113	12	93	6.0	1.8	52	
				400	1.3x	134	3.4	1.3	100	-	114	3.2	1.3	90	
3030 1W 3V	BXEM-50C-21H-3A-00-0-0	5000K	70	60	0.2x	31	2.8	0.2	182	-	27	2.6	0.2	170	DS66
				120	0.4x	59	2.9	0.3	168	-	52	2.7	0.3	159	
				200	0.7x	93	3.1	0.6	153	-	82	2.9	0.6	143	
				300	1x	133	3.2	1.0	139	12	113	6.0	1.8	63	
				400	1.3x	165	3.4	1.3	123	-	139	3.2	1.3	109	
3030 1W 3V	BXEM-50E-21H-3A-00-0-0	5000K	80	60	0.2x	29	2.8	0.2	174	-	25	2.6	0.2	160	DS66
				120	0.4x	56	2.9	0.3	161	-	49	2.7	0.3	150	
				200	0.7x	89	3.1	0.6	146	-	78	2.9	0.6	135	
				300	1x	127	3.2	1.0	132	12	107	6.0	1.8	59	
				400	1.3x	158	3.4	1.3	118	-	131	3.2	1.3	103	
3030 1W 3V	BXEM-50G-21H-3A-00-0-0	5000K	90	60	0.2x	25	2.8	0.2	148	-	22	2.6	0.2	138	DS66
				120	0.4x	48	2.9	0.3	137	-	42	2.7	0.3	129	
				200	0.7x	76	3.1	0.6	124	-	67	2.9	0.6	116	
				300	1x	108	3.2	1.0	113	12	92	6.0	1.8	51	
				400	1.3x	134	3.4	1.3	100	-	113	3.2	1.3	89	
3030 1W 3V	BXEM-57C-21H-3A-00-0-0	5700K	70	60	0.2x	31	2.8	0.2	182	-	27	2.6	0.2	170	DS66
				120	0.4x	59	2.9	0.3	168	-	52	2.7	0.3	159	
				200	0.7x	93	3.1	0.6	153	-	82	2.9	0.6	143	
				300	1x	133	3.2	1.0	139	12	113	6.0	1.8	63	
				400	1.3x	165	3.4	1.3	123	-	139	3.2	1.3	109	
3030 1W 3V	BXEM-57E-21H-3A-00-0-0	5700K	80	60	0.2x	29	2.8	0.2	174	-	25	2.6	0.2	160	DS66
				120	0.4x	56	2.9	0.3	161	-	49	2.7	0.3	150	
				200	0.7x	89	3.1	0.6	146	-	78	2.9	0.6	135	
				300	1x	127	3.2	1.0	132	12	107	6.0	1.8	59	
				400	1.3x	158	3.4	1.3	118	-	131	3.2	1.3	103	
3030 1W 3V	BXEM-57G-21H-3A-00-0-0	5700K	90	60	0.2x	25	2.8	0.2	148	-	22	2.6	0.2	138	DS66
				120	0.4x	48	2.9	0.3	137	-	42	2.7	0.3	129	
				200	0.7x	76	3.1	0.6	124	-	67	2.9	0.6	116	
				300	1x	108	3.2	1.0	113	12	92	6.0	1.8	51	
				400	1.3x	134	3.4	1.3	100	-	113	3.2	1.3	89	

Form Factor	Part Number	CCT (Nominal)	CRI (min)	Current (mA)	Rated Current	Typical Pulsed Flux T _c 25°C (lm)	V _f T _c 25°C (V)	Power T _c 25°C (W)	Typical Efficacy T _c 25°C (lm/W)	Thermal Resistance Junction to Case ¹ (C/W)	Typical DC Flux T _c 85°C (lm)	V _f T _c 85°C (v)	Power T _c 85°C (W)	Typical Efficacy T _c 85°C (lm/W)	Data Sheet
3030 1W 3V	BXEM-65C-21H-3A-00-0-0	6500K	70	60	0.2x	31	2.8	0.2	182	-	27	2.6	0.2	170	DS66
				120	0.4x	59	2.9	0.3	168	-	52	2.7	0.3	159	
				200	0.7x	93	3.1	0.6	153	-	82	2.9	0.6	143	
				300	1x	133	3.2	1.0	139	12	113	6.0	1.8	63	
				400	1.3x	165	3.4	1.3	123	-	139	3.2	1.3	109	
3030 1W 3V	BXEM-65E-21H-3A-00-0-0	6500K	80	60	0.2x	29	2.8	0.2	172	-	25	2.6	0.2	157	DS66
				120	0.4x	56	2.9	0.3	159	-	48	2.7	0.3	147	
				200	0.7x	89	3.1	0.6	145	-	76	2.9	0.6	133	
				300	1x	126	3.2	1.0	131	12	105	6.0	1.8	58	
				400	1.3x	157	3.4	1.3	117	-	128	3.2	1.3	101	
3030 1W 3V	BXEM-65G-21H-3A-00-0-0	6500K	90	60	0.2x	25	2.8	0.2	148	-	22	2.6	0.2	138	DS66
				120	0.4x	48	2.9	0.3	137	-	42	2.7	0.3	129	
				200	0.7x	76	3.1	0.6	124	-	67	2.9	0.6	116	
				300	1x	108	3.2	1.0	113	12	92	6.0	1.8	51	
				400	1.3x	134	3.4	1.3	100	-	113	3.2	1.3	89	

Form Factor	Part Number	CCT (Nominal)	CRI (min)	Current (mA)	Rated Current	Typical Pulsed Flux T _c 25°C (lm)	V _f T _c 25°C (V)	Power T _c 25°C (W)	Typical Efficacy T _c 25°C (lm/W)	Thermal Resistance Junction to Case ¹ (C/W)	Typical DC Flux T _c 85°C (lm)	V _f T _c 85°C (V)	Power T _c 85°C (W)	Typical Efficacy T _c 85°C (lm/W)	Data Sheet
2835 0.2W 3V	BXEN-27E-11L-3A-00-0-0	2700K	80	20	0.3x	9	2.8	0.1	158	-	8	2.7	0.1	147	DS55
				30	0.5x	13	2.9	0.1	150	-	11	2.8	0.1	138	
				40	0.7x	17	2.9	0.1	143	-	15	2.8	0.1	131	
				60	1x	24	3.1	0.2	129	29	21	3.0	0.2	118	
				80	1.3x	31	3.2	0.3	122	-	27	3.1	0.2	107	
2835 0.2W 3V	BXEN-30E-11L-3A-00-0-0	3000K	80	20	0.3x	9	2.8	0.1	165	-	8	2.7	0.1	153	DS55
				30	0.5x	13	2.9	0.1	156	-	12	2.8	0.1	144	
				40	0.7x	18	2.9	0.1	149	-	15	2.8	0.1	136	
				60	1x	25	3.1	0.2	134	29	22	3.0	0.2	125	
				80	1.3x	33	3.2	0.3	127	-	28	3.1	0.2	111	
2835 0.2W 3V	BXEN-35E-11L-3A-00-0-0	3500K	80	20	0.3x	9	2.8	0.1	165	-	8	2.7	0.1	153	DS55
				30	0.5x	13	2.9	0.1	156	-	12	2.8	0.1	144	
				40	0.7x	18	2.9	0.1	149	-	15	2.8	0.1	136	
				60	1x	25	3.1	0.2	134	29	22	3.0	0.2	125	
				80	1.3x	33	3.2	0.3	127	-	28	3.1	0.2	111	
2835 0.2W 3V	BXEN-40E-11L-3A-00-0-0	4000K	80	20	0.3x	10	2.8	0.1	171	-	8	2.7	0.1	159	DS55
				30	0.5x	14	2.9	0.1	163	-	12	2.8	0.1	150	
				40	0.7x	18	2.9	0.1	155	-	16	2.8	0.1	142	
				60	1x	26	3.1	0.2	140	29	23	3.0	0.2	129	
				80	1.3x	34	3.2	0.3	132	-	29	3.1	0.2	116	
2835 0.2W 3V	BXEN-50E-11L-3A-00-0-0	5000K	80	20	0.3x	10	2.8	0.1	171	-	8	2.7	0.1	159	DS55
				30	0.5x	14	2.9	0.1	163	-	12	2.8	0.1	150	
				40	0.7x	18	2.9	0.1	155	-	16	2.8	0.1	142	
				60	1x	26	3.1	0.2	140	29	23	3.0	0.2	129	
				80	1.3x	34	3.2	0.3	132	-	29	3.1	0.2	116	
2835 0.2W 3V	BXEN-57E-11L-3A-00-0-0	5700K	80	20	0.3x	10	2.8	0.1	171	-	8	2.7	0.1	159	DS55
				30	0.5x	14	2.9	0.1	163	-	12	2.8	0.1	150	
				40	0.7x	18	2.9	0.1	155	-	16	2.8	0.1	142	
				60	1x	26	3.1	0.2	140	29	23	3.0	0.2	129	
				80	1.3x	34	3.2	0.3	132	-	29	3.1	0.2	116	
2835 0.2W 3V	BXEN-65E-11L-3A-00-0-0	6500K	80	20	0.3x	9	2.8	0.1	165	-	8	2.7	0.1	153	DS55
				30	0.5x	13	2.9	0.1	156	-	12	2.8	0.1	144	
				40	0.7x	18	2.9	0.1	149	-	15	2.8	0.1	136	
				60	1x	25	3.1	0.2	134	29	22	3.0	0.2	124	
				80	1.3x	33	3.2	0.3	127	-	28	3.1	0.2	111	

Form Factor	Part Number	CCT (Nominal)	CRI (min)	Current (mA)	Rated Current	Typical Pulsed Flux T _c 25°C (lm)	V _f T _c 25°C (V)	Power T _c 25°C (W)	Typical Efficacy T _c 25°C (lm/W)	Thermal Resistance Junction to Case ¹ (C/W)	Typical DC Flux T _c 85°C (lm)	V _f T _c 85°C (V)	Power T _c 85°C (W)	Typical Efficacy T _c 85°C (lm/W)	Data Sheet
2835 0.2W 3V HE	BXEN-27E-21L-3B-00-0-0	2700K	80	20	0.3x	9	2.6	0.1	175	-	9	2.6	0.1	166	DS65
				30	0.5x	14	2.7	0.1	173	-	13	2.6	0.1	163	
				40	0.7x	18	2.7	0.1	171	-	17	2.7	0.1	159	
				60	1x	27	2.8	0.2	165	8	25	2.8	0.2	150	
				80	1.3x	36	2.8	0.2	160	-	33	2.9	0.2	145	
2835 0.2W 3V HE	BXEN-30E-21L-3B-00-0-0	3000K	80	20	0.3x	10	2.6	0.1	190	-	9	2.6	0.1	180	DS65
				30	0.5x	15	2.7	0.1	187	-	14	2.6	0.1	176	
				40	0.7x	20	2.7	0.1	184	-	18	2.7	0.1	171	
				60	1x	29	2.8	0.2	178	8	27	2.8	0.2	162	
				80	1.3x	39	2.8	0.2	173	-	36	2.9	0.2	156	
2835 0.2W 3V HE	BXEN-35E-21L-3B-00-0-0	3500K	80	20	0.3x	10	2.6	0.1	190	-	9	2.6	0.1	180	DS65
				30	0.5x	15	2.7	0.1	187	-	14	2.6	0.1	176	
				40	0.7x	20	2.7	0.1	184	-	18	2.7	0.1	171	
				60	1x	29	2.8	0.2	178	8	27	2.8	0.2	162	
				80	1.3x	39	2.8	0.2	173	-	36	2.9	0.2	156	
2835 0.2W 3V HE	BXEN-40E-21L-3B-00-0-0	4000K	80	20	0.3x	10	2.6	0.1	197	-	10	2.6	0.1	186	DS65
				30	0.5x	15	2.7	0.1	194	-	14	2.6	0.1	182	
				40	0.7x	21	2.7	0.1	191	-	19	2.7	0.1	178	
				60	1x	31	2.8	0.2	185	8	28	2.8	0.2	168	
				80	1.3x	40	2.8	0.2	180	-	38	2.9	0.2	162	
2835 0.2W 3V HE	BXEN-50E-21L-3B-00-0-0	5000K	80	20	0.3x	10	2.6	0.1	194	-	9	2.6	0.1	184	DS65
				30	0.5x	15	2.7	0.1	192	-	14	2.6	0.1	180	
				40	0.7x	20	2.7	0.1	189	-	19	2.7	0.1	176	
				60	1x	30	2.8	0.2	182	8	28	2.8	0.2	165	
				80	1.3x	40	2.8	0.2	178	-	37	2.9	0.2	160	
2835 0.2W 3V HE	BXEN-57E-21L-3B-00-0-0	5700K	80	20	0.3x	10	2.6	0.1	194	-	9	2.6	0.1	184	DS65
				30	0.5x	15	2.7	0.1	192	-	14	2.6	0.1	180	
				40	0.7x	20	2.7	0.1	189	-	19	2.7	0.1	176	
				60	1x	30	2.8	0.2	182	8	28	2.8	0.2	165	
				80	1.3x	40	2.8	0.2	178	-	37	2.9	0.2	160	
2835 0.2W 3V HE	BXEN-65E-21L-3B-00-0-0	6500K	80	20	0.3x	10	2.6	0.1	194	-	9	2.6	0.1	184	DS65
				30	0.5x	15	2.7	0.1	192	-	14	2.6	0.1	180	
				40	0.7x	20	2.7	0.1	189	-	19	2.7	0.1	176	
				60	1x	30	2.8	0.2	182	8	28	2.8	0.2	165	
				80	1.3x	40	2.8	0.2	178	-	37	2.9	0.2	160	

Form Factor	Part Number	CCT (Nominal)	CRI (min)	Current (mA)	Rated Current	Typical Pulsed Flux T _c 25°C (lm)	V _f T _c 25°C (V)	Power T _c 25°C (W)	Typical Efficacy T _c 25°C (lm/W)	Thermal Resistance Junction to Case ¹ (C/W)	Typical DC Flux T _c 85°C (lm)	V _f T _c 85°C (V)	Power T _c 85°C (W)	Typical Efficacy T _c 85°C (lm/W)	Data Sheet
2835 0.5W 3V	BXEN-27E-11M-3A-00-0-0	2700K	80	30	0.2x	13	2.6	0.1	170	-	12	2.5	0.1	159	DS56
				60	0.4x	26	2.8	0.2	154	-	23	2.7	0.2	143	
				100	0.7x	40	2.9	0.3	138	-	36	2.8	0.3	127	
				150	1x	57	3.1	0.5	123	20	50	3.0	0.4	111	
				180	1.2x	66	3.2	0.6	114	-	58	3.1	0.6	103	
2835 0.5W 3V	BXEN-30E-11M-3A-00-0-0	3000K	80	30	0.2x	14	2.6	0.1	179	-	13	2.5	0.1	168	DS56
				60	0.4x	27	2.8	0.2	162	-	24	2.7	0.2	150	
				100	0.7x	43	2.9	0.3	145	-	38	2.8	0.3	133	
				150	1x	60	3.1	0.5	129	20	53	3.0	0.4	118	
				180	1.2x	69	3.2	0.6	120	-	61	3.1	0.6	108	
2835 0.5W 3V	BXEN-35E-11M-3A-00-0-0	3500K	80	30	0.2x	14	2.6	0.1	179	-	13	2.5	0.1	168	DS56
				60	0.4x	27	2.8	0.2	162	-	24	2.7	0.2	150	
				100	0.7x	43	2.9	0.3	145	-	38	2.8	0.3	133	
				150	1x	60	3.1	0.5	129	20	53	3.0	0.4	118	
				180	1.2x	69	3.2	0.6	120	-	61	3.1	0.6	108	
2835 0.5W 3V	BXEN-40E-11M-3A-00-0-0	4000K	80	30	0.2x	15	2.6	0.1	191	-	13	2.5	0.1	179	DS56
				60	0.4x	29	2.8	0.2	173	-	26	2.7	0.2	160	
				100	0.7x	45	2.9	0.3	154	-	40	2.8	0.3	142	
				150	1x	64	3.1	0.5	138	20	56	3.0	0.4	125	
				180	1.2x	74	3.2	0.6	127	-	65	3.1	0.6	115	
2835 0.5W 3V	BXEN-50E-11M-3A-00-0-0	5000K	80	30	0.2x	15	2.6	0.1	191	-	13	2.5	0.1	179	DS56
				60	0.4x	29	2.8	0.2	173	-	26	2.7	0.2	160	
				100	0.7x	45	2.9	0.3	154	-	40	2.8	0.3	142	
				150	1x	64	3.1	0.5	138	20	56	3.0	0.4	125	
				180	1.2x	74	3.2	0.6	127	-	65	3.1	0.6	115	
2835 0.5W 3V	BXEN-57E-11M-3A-00-0-0	5700K	80	30	0.2x	15	2.6	0.1	191	-	13	2.5	0.1	179	DS56
				60	0.4x	29	2.8	0.2	173	-	26	2.7	0.2	160	
				100	0.7x	45	2.9	0.3	154	-	40	2.8	0.3	142	
				150	1x	64	3.1	0.5	138	20	56	3.0	0.4	125	
				180	1.2x	74	3.2	0.6	127	-	65	3.1	0.6	115	
2835 0.5W 3V	BXEN-65E-11M-3A-00-0-0	6500K	80	30	0.2x	15	2.6	0.1	188	-	13	2.5	0.1	176	DS56
				60	0.4x	28	2.8	0.2	170	-	25	2.7	0.2	158	
				100	0.7x	45	2.9	0.3	152	-	40	2.8	0.3	140	
				150	1x	63	3.1	0.5	135	20	54	3.0	0.4	121	
				180	1.2x	73	3.2	0.6	125	-	64	3.1	0.6	114	

Form Factor	Part Number	CCT (Nominal)	CRI (min)	Current (mA)	Rated Current	Typical Pulsed Flux T _c 25°C (lm)	V _f T _c 25°C (V)	Power T _c 25°C (W)	Typical Efficacy T _c 25°C (lm/W)	Thermal Resistance Junction to Case ¹ (C/W)	Typical DC Flux T _c 85°C (lm)	V _f T _c 85°C (V)	Power T _c 85°C (W)	Typical Efficacy T _c 85°C (lm/W)	Data Sheet
2835 0.5W 9V	BXEN-27E-13M-9A-00-0-0	2700K	80	20	0.3x	24	8.5	0.2	142	-	21	8.2	0.2	131	DS53
				30	0.5x	35	8.8	0.3	133	-	31	8.4	0.3	123	
				40	0.7x	46	9.0	0.4	127	-	40	8.7	0.3	116	
				60	1x	65	9.4	0.6	115	20	56	9.1	0.5	104	
				80	1.3x	83	9.8	0.8	106	-	71	9.5	0.8	94	
2835 0.5W 9V	BXEN-30E-13M-9A-00-0-0	3000K	80	20	0.3x	25	8.5	0.2	148	-	22	8.2	0.2	137	DS53
				30	0.5x	37	8.8	0.3	140	-	33	8.4	0.3	128	
				40	0.7x	48	9.0	0.4	132	-	42	8.7	0.3	121	
				60	1x	68	9.4	0.6	121	20	58	9.1	0.5	107	
				80	1.3x	87	9.8	0.8	111	-	75	9.5	0.8	99	
2835 0.5W 9V	BXEN-35E-13M-9A-00-0-0	3500K	80	20	0.3x	26	8.5	0.2	155	-	23	8.2	0.2	143	DS53
				30	0.5x	38	8.8	0.3	146	-	34	8.4	0.3	134	
				40	0.7x	50	9.0	0.4	138	-	44	8.7	0.3	126	
				60	1x	71	9.4	0.6	126	20	62	9.1	0.5	114	
				80	1.3x	90	9.8	0.8	116	-	78	9.5	0.8	103	
2835 0.5W 9V	BXEN-40E-13M-9A-00-0-0	4000K	80	20	0.3x	27	8.5	0.2	157	-	24	8.2	0.2	145	DS53
				30	0.5x	39	8.8	0.3	148	-	34	8.4	0.3	136	
				40	0.7x	50	9.0	0.4	140	-	44	8.7	0.3	128	
				60	1x	72	9.4	0.6	128	20	63	9.1	0.5	116	
				80	1.3x	92	9.8	0.8	117	-	79	9.5	0.8	104	
2835 0.5W 9V	BXEN-50E-13M-9A-00-0-0	5000K	80	20	0.3x	27	8.5	0.2	157	-	24	8.2	0.2	145	DS53
				30	0.5x	39	8.8	0.3	148	-	34	8.4	0.3	136	
				40	0.7x	50	9.0	0.4	140	-	44	8.7	0.3	128	
				60	1x	72	9.4	0.6	128	20	63	9.1	0.5	115	
				80	1.3x	92	9.8	0.8	117	-	79	9.5	0.8	104	
2835 0.5W 9V	BXEN-57E-13M-9A-00-0-0	5700K	80	20	0.3x	27	8.5	0.2	157	-	24	8.2	0.2	145	DS53
				30	0.5x	39	8.8	0.3	148	-	34	8.4	0.3	136	
				40	0.7x	50	9.0	0.4	140	-	44	8.7	0.3	128	
				60	1x	72	9.4	0.6	128	20	63	9.1	0.5	115	
				80	1.3x	92	9.8	0.8	117	-	79	9.5	0.8	104	
2835 0.5W 9V	BXEN-65E-13M-9A-00-0-0	6500K	80	20	0.3x	26	8.5	0.2	155	-	23	8.2	0.2	143	DS53
				30	0.5x	38	8.8	0.3	146	-	34	8.4	0.3	134	
				40	0.7x	50	9.0	0.4	138	-	44	8.7	0.3	126	
				60	1x	71	9.4	0.6	126	20	62	9.1	0.5	114	
				80	1.3x	90	9.8	0.8	116	-	78	9.5	0.8	103	

Form Factor	Part Number	CCT (Nominal)	CRI (min)	Current (mA)	Rated Current	Typical Pulsed Flux T _c 25°C (lm)	V _f T _c 25°C (V)	Power T _c 25°C (W)	Typical Efficacy T _c 25°C (lm/W)	Thermal Resistance Junction to Case ¹ (C/W)	Typical DC Flux T _c 85°C (lm)	V _f T _c 85°C (V)	Power T _c 85°C (W)	Typical Efficacy T _c 85°C (lm/W)	Data Sheet
2835 0.5W 9V Gen2	BXEN-27E-13M-9B-00-0-0	2700K	80	20	0.3x	27	8.4	0.2	159	-	25	8.1	0.2	152	DS57
				30	0.5x	39	8.6	0.3	152	-	36	8.3	0.2	144	
				40	0.7x	52	8.8	0.4	146	-	46	8.5	0.3	136	
				60	1x	75	9.2	0.6	136	10	66	8.9	0.5	124	
				80	1.3x	97	9.5	0.8	127	-	82	9.2	0.7	112	
2835 0.5W 9V Gen2	BXEN-30E-13M-9B-00-0-0	3000K	80	20	0.3x	28	8.4	0.2	165	-	26	8.1	0.2	159	DS57
				30	0.5x	41	8.6	0.3	158	-	37	8.3	0.2	149	
				40	0.7x	54	8.8	0.4	152	-	48	8.5	0.3	141	
				60	1x	78	9.2	0.6	141	10	69	8.9	0.5	129	
				80	1.3x	101	9.5	0.8	132	-	86	9.2	0.7	116	
2836 0.5W 9V Gen2	BXEN-35E-13M-9B-00-0-0	3500K	80	20	0.3x	29	8.4	0.2	174	-	27	8.1	0.2	167	DS53
				30	0.5x	43	8.6	0.3	167	-	39	8.3	0.2	157	
				40	0.7x	57	8.8	0.4	160	-	51	8.5	0.3	148	
				60	1x	82	9.2	0.6	149	10	72	8.9	0.5	135	
				80	1.3x	106	9.5	0.8	139	-	90	9.2	0.7	122	
2835 0.5W 9V Gen2	BXEN-40E-13M-9B-00-0-0	4000K	80	20	0.3x	30	8.4	0.2	176	-	27	8.1	0.2	169	DS57
				30	0.5x	44	8.6	0.3	169	-	40	8.3	0.2	159	
				40	0.7x	57	8.8	0.4	162	-	51	8.5	0.3	150	
				60	1x	83	9.2	0.6	150	10	73	8.9	0.5	137	
				80	1.3x	107	9.5	0.8	141	-	91	9.2	0.7	124	
2835 0.5W 9V Gen2	BXEN-50E-13M-9B-00-0-0	5000K	80	20	0.3x	30	8.4	0.2	176	-	27	8.1	0.2	169	DS57
				30	0.5x	44	8.6	0.3	169	-	40	8.3	0.2	159	
				40	0.7x	57	8.8	0.4	162	-	51	8.5	0.3	150	
				60	1x	83	9.2	0.6	150	10	73	8.9	0.5	137	
				80	1.3x	107	9.5	0.8	141	-	91	9.2	0.7	124	
2835 0.5W 9V Gen2	BXEN-57E-13M-9B-00-0-0	5700K	80	20	0.3x	29	8.4	0.2	174	-	27	8.1	0.2	167	DS57
				30	0.5x	43	8.6	0.3	167	-	39	8.3	0.2	157	
				40	0.7x	57	8.8	0.4	160	-	51	8.5	0.3	148	
				60	1x	82	9.2	0.6	149	10	72	8.9	0.5	135	
				80	1.3x	106	9.5	0.8	139	-	90	9.2	0.7	122	
2835 0.5W 9V Gen2	BXEN-65E-13M-9B-00-0-0	6500K	80	20	0.3x	29	8.4	0.2	174	-	27	8.1	0.2	167	DS57
				30	0.5x	43	8.6	0.3	167	-	39	8.3	0.2	157	
				40	0.7x	57	8.8	0.4	160	-	51	8.5	0.3	148	
				60	1x	82	9.2	0.6	149	10	72	8.9	0.5	135	
				80	1.3x	106	9.5	0.8	139	-	90	9.2	0.7	122	

Form Factor	Part Number	CCT (Nominal)	CRI (min)	Current (mA)	Rated Current	Typical Pulsed Flux T _c 25°C (lm)	V _f T _c 25°C (V)	Power T _c 25°C (W)	Typical Efficacy T _c 25°C (lm/W)	Thermal Resistance Junction to Case ¹ (C/W)	Typical DC Flux T _c 85°C (lm)	V _f T _c 85°C (V)	Power T _c 85°C (W)	Typical Efficacy T _c 85°C (lm/W)	Data Sheet
2835 1W 9V	BXEN-27E-13H-9A-00-0-0	2700K	80	30	0.3x	37	8.2	0.2	151	-	33	7.9	0.2	137	DS54
				60	0.6x	69	8.8	0.5	130	-	59	8.5	0.5	117	
				80	0.8x	88	9.2	0.7	119	-	75	8.9	0.7	106	
				100	1x	105	9.5	1.0	111	20	89	9.2	0.9	97	
				120	1.2x	121	9.8	1.2	103	-	101	9.5	1.1	89	
2835 1W 9V	BXEN-27G-13H-9A-00-0-0	2700K	90	30	0.3x	32	8.2	0.2	129	-	28	7.9	0.2	118	DS54
				60	0.6x	59	8.8	0.5	111	-	51	8.5	0.5	100	
				80	0.8x	75	9.2	0.7	102	-	64	8.9	0.7	91	
				100	1x	90	9.5	1.0	95	20	76	9.2	0.9	83	
				120	1.2x	104	9.8	1.2	88	-	87	9.5	1.1	76	
2835 1W 9V	BXEN-30E-13H-9A-00-0-0	3000K	80	30	0.3x	39	8.2	0.2	158	-	34	7.9	0.2	144	DS54
				60	0.6x	72	8.8	0.5	136	-	62	8.5	0.5	122	
				80	0.8x	92	9.2	0.7	125	-	79	8.9	0.7	111	
				100	1x	110	9.5	1.0	116	20	91	9.2	0.9	99	
				120	1.2x	127	9.8	1.2	108	-	106	9.5	1.1	93	
2835 1W 9V	BXEN-30G-13H-9A-00-0-0	3000K	90	30	0.3x	34	8.2	0.2	136	-	29	7.9	0.2	124	DS54
				60	0.6x	62	8.8	0.5	118	-	54	8.5	0.5	106	
				80	0.8x	79	9.2	0.7	108	-	68	8.9	0.7	96	
				100	1x	95	9.5	1.0	100	20	79	9.2	0.9	86	
				120	1.2x	109	9.8	1.2	93	-	91	9.5	1.1	80	
2835 1W 9V	BXEN-35E-13H-9A-00-0-0	3500K	80	30	0.3x	39	8.2	0.2	158	-	34	7.9	0.2	144	DS54
				60	0.6x	72	8.8	0.5	136	-	62	8.5	0.5	122	
				80	0.8x	92	9.2	0.7	125	-	79	8.9	0.7	111	
				100	1x	110	9.5	1.0	116	20	91	9.2	0.9	99	
				120	1.2x	127	9.8	1.2	108	-	106	9.5	1.1	93	
2835 1W 9V	BXEN-35G-13H-9A-00-0-0	3500K	90	30	0.3x	34	8.2	0.2	136	-	29	7.9	0.2	124	DS54
				60	0.6x	62	8.8	0.5	118	-	54	8.5	0.5	106	
				80	0.8x	79	9.2	0.7	108	-	68	8.9	0.7	96	
				100	1x	95	9.5	1.0	100	20	79	9.2	0.9	86	
				120	1.2x	109	9.8	1.2	93	-	91	9.5	1.1	80	
2835 1W 9V	BXEN-40E-13H-9A-00-0-0	4000K	80	30	0.3x	41	8.2	0.2	166	-	36	7.9	0.2	152	DS54
				60	0.6x	76	8.8	0.5	144	-	66	8.5	0.5	129	
				80	0.8x	97	9.2	0.7	132	-	83	8.9	0.7	117	
				100	1x	116	9.5	1.0	122	20	99	9.2	0.9	108	
				120	1.2x	134	9.8	1.2	114	-	112	9.5	1.1	98	
2835 1W 9V	BXEN-40G-13H-9A-00-0-0	4000K	90	30	0.3x	35	8.2	0.2	144	-	31	7.9	0.2	131	DS54
				60	0.6x	65	8.8	0.5	124	-	57	8.5	0.5	111	
				80	0.8x	83	9.2	0.7	114	-	71	8.9	0.7	101	
				100	1x	100	9.5	1.0	105	20	85	9.2	0.9	93	
				120	1.2x	115	9.8	1.2	98	-	96	9.5	1.1	84	
2835 1W 9V	BXEN-50E-13H-9A-00-0-0	5000K	80	30	0.3x	41	8.2	0.2	166	-	36	7.9	0.2	152	DS54
				60	0.6x	76	8.8	0.5	144	-	66	8.5	0.5	129	
				80	0.8x	97	9.2	0.7	132	-	83	8.9	0.7	117	
				100	1x	116	9.5	1.0	122	20	99	9.2	0.9	108	
				120	1.2x	134	9.8	1.2	114	-	112	9.5	1.1	98	
2835 1W 9V	BXEN-50G-13H-9A-00-0-0	5000K	90	30	0.3x	35	8.2	0.2	144	-	31	7.9	0.2	131	DS54
				60	0.6x	65	8.8	0.5	124	-	57	8.5	0.5	111	
				80	0.8x	83	9.2	0.7	114	-	71	8.9	0.7	101	
				100	1x	100	9.5	1.0	105	20	85	9.2	0.9	93	
				120	1.2x	115	9.8	1.2	98	-	96	9.5	1.1	84	
2835 1W 9V	BXEN-57E-13H-9A-00-0-0	5700K	80	30	0.3x	41	8.2	0.2	166	-	36	7.9	0.2	152	DS54
				60	0.6x	76	8.8	0.5	144	-	66	8.5	0.5	129	
				80	0.8x	97	9.2	0.7	132	-	83	8.9	0.7	117	
				100	1x	116	9.5	1.0	122	20	99	9.2	0.9	108	
				120	1.2x	134	9.8	1.2	114	-	112	9.5	1.1	98	

Form Factor	Part Number	CCT (Nominal)	CRI (min)	Current (mA)	Rated Current	Typical Pulsed Flux T _c 25°C (lm)	V _f T _c 25°C (V)	Power T _c 25°C (W)	Typical Efficacy T _c 25°C (lm/W)	Thermal Resistance Junction to Case ¹ (C/W)	Typical DC Flux T _c 85°C (lm)	V _f T _c 85°C (v)	Power T _c 85°C (W)	Typical Efficacy T _c 85°C (lm/W)	Data Sheet
2835 1W 9V	BXEN-57G-13H-9A-00-0-0	5700K	90	30	0.3x	35	8.2	0.2	144	-	31	7.9	0.2	131	DS54
				60	0.6x	65	8.8	0.5	124	-	57	8.5	0.5	111	
				80	0.8x	83	9.2	0.7	114	-	71	8.9	0.7	101	
				100	1x	100	9.5	1.0	105	20	85	9.2	0.9	93	
				120	1.2x	115	9.8	1.2	98	-	96	9.5	1.1	84	
2835 1W 9V	BXEN-65E-13H-9A-00-0-0	6500K	80	30	0.3x	41	8.2	0.2	165	-	36	7.9	0.2	150	DS54
				60	0.6x	75	8.8	0.5	142	-	65	8.5	0.5	128	
				80	0.8x	96	9.2	0.7	131	-	82	8.9	0.7	116	
				100	1x	115	9.5	1.0	121	20	98	9.2	0.9	106	
				120	1.2x	132	9.8	1.2	113	-	111	9.5	1.1	97	

Form Factor	Part Number	CCT (Nominal)	CRI (min)	Current (mA)	Rated Current	Typical Pulsed Flux T _c 25°C (lm)	V _f T _c 25°C (V)	Power T _c 25°C (W)	Typical Efficacy T _c 25°C (lm/W)	Thermal Resistance Junction to Case ¹ (C/W)	Typical DC Flux T _c 85°C (lm)	V _f T _c 85°C (v)	Power T _c 85°C (W)	Typical Efficacy T _c 85°C (lm/W)	Data Sheet
2835 1W 9V Gen2	BXEN-27E-13H-9B-00-0-0	2700K	80	30	0.3x	41	8.2	0.2	165	-	36	7.9	0.2	150	DS58
				60	0.6x	75	8.8	0.5	142	-	65	8.5	0.5	128	
				80	0.8x	96	9.2	0.7	131	-	82	8.9	0.7	116	
				100	1x	115	9.5	1.0	121	10	101	9.2	0.9	110	
				120	1.2x	132	9.8	1.2	113	-	111	9.5	1.1	97	
2835 1W 9V Gen2	BXEN-30E-13H-9B-00-0-0	3000K	80	30	0.3x	42	8.2	0.2	172	-	37	7.9	0.2	157	DS58
				60	0.6x	79	8.8	0.5	149	-	68	8.5	0.5	133	
				80	0.8x	100	9.2	0.7	136	-	86	8.9	0.7	121	
				100	1x	120	9.5	1.0	126	10	106	9.2	0.9	115	
				120	1.2x	138	9.8	1.2	117	-	116	9.5	1.1	101	
2836 1W 9V Gen2	BXEN-35E-13H-9B-00-0-1	3500K	80	30	0.3x	43	8.2	0.2	177	-	38	7.9	0.2	161	DS58
				60	0.6x	80	8.8	0.5	152	-	70	8.5	0.5	137	
				80	0.8x	103	9.2	0.7	140	-	88	8.9	0.7	124	
				100	1x	123	9.5	1.0	129	10	108	9.2	0.9	118	
				120	1.2x	142	9.8	1.2	120	-	118	9.5	1.1	104	
2835 1W 9V Gen2	BXEN-40E-13H-9B-00-0-0	4000K	80	30	0.3x	45	8.2	0.2	182	-	39	7.9	0.2	166	DS58
				60	0.6x	83	8.8	0.5	157	-	72	8.5	0.5	141	
				80	0.8x	106	9.2	0.7	144	-	91	8.9	0.7	128	
				100	1x	127	9.5	1.0	134	10	112	9.2	0.9	122	
				120	1.2x	146	9.8	1.2	124	-	122	9.5	1.1	107	
2835 1W 9V Gen2	BXEN-50E-13H-9B-00-0-0	5000K	80	30	0.3x	45	8.2	0.2	182	-	39	7.9	0.2	166	DS58
				60	0.6x	83	8.8	0.5	157	-	72	8.5	0.5	141	
				80	0.8x	106	9.2	0.7	144	-	91	8.9	0.7	128	
				100	1x	127	9.5	1.0	134	10	112	9.2	0.9	122	
				120	1.2x	146	9.8	1.2	124	-	122	9.5	1.1	107	
2835 1W 9V Gen2	BXEN-57E-13H-9B-00-0-0	5700K	80	30	0.3x	45	8.2	0.2	182	-	39	7.9	0.2	166	DS58
				60	0.6x	83	8.8	0.5	157	-	72	8.5	0.5	141	
				80	0.8x	106	9.2	0.7	144	-	91	8.9	0.7	128	
				100	1x	127	9.5	1.0	134	10	112	9.2	0.9	122	
				120	1.2x	146	9.8	1.2	124	-	122	9.5	1.1	107	
2835 1W 9V Gen2	BXEN-65E-13H-9B-00-0-0	6500K	80	30	0.3x	44	8.2	0.2	179	-	39	7.9	0.2	164	DS58
				60	0.6x	82	8.8	0.5	155	-	71	8.5	0.5	139	
				80	0.8x	104	9.2	0.7	142	-	89	8.9	0.7	126	
				100	1x	125	9.5	1.0	132	10	110	9.2	0.9	120	
				120	1.2x	144	9.8	1.2	122	-	120	9.5	1.1	106	

Form Factor	Part Number	CCT (Nominal)	CRI (min)	Current (mA)	Rated Current	Typical Pulsed Flux T _c 25°C (lm)	V _f T _c 25°C (V)	Power T _c 25°C (W)	Typical Efficacy T _c 25°C (lm/W)	Thermal Resistance Junction to Case ¹ (C/W)	Typical DC Flux T _c 85°C (lm)	V _f T _c 85°C (V)	Power T _c 85°C (W)	Typical Efficacy T _c 85°C (lm/W)	Data Sheet
5050 3W 9V	BXEP-27E-233-09A-00-00-0	2700K	80	80	0.3x	108	8.3	0.7	163	-	95	8.0	0.6	147	DS61
				160	0.5x	209	8.7	1.4	149	-	187	8.5	1.4	138	
				240	0.8x	303	9.1	2.2	138	-	268	8.9	2.1	126	
				320	1x	389	9.3	3.0	131	3	338	9.0	2.9	117	
				480	1.5x	541	10.0	4.8	113	-	454	9.7	4.7	97	
5050 3W 9V	BXEP-30E-233-09A-00-00-0	3000K	80	80	0.3x	111	8.3	0.7	168	-	98	8.0	0.6	152	DS61
				160	0.5x	215	8.7	1.4	154	-	192	8.5	1.4	142	
				240	0.8x	312	9.1	2.2	143	-	277	8.9	2.1	130	
				320	1x	401	9.3	3.0	135	3	349	9.0	2.9	121	
				480	1.5x	558	10.0	4.8	117	-	468	9.7	4.7	100	
5050 3W 9V	BXEP-35E-233-09A-00-00-0	3500K	80	80	0.3x	114	8.3	0.7	172	-	100	8.0	0.6	156	DS61
				160	0.5x	221	8.7	1.4	158	-	198	8.5	1.4	146	
				240	0.8x	321	9.1	2.2	147	-	284	8.9	2.1	134	
				320	1x	412	9.3	3.0	138	3	358	9.0	2.9	124	
				480	1.5x	573	10.0	4.8	120	-	480	9.7	4.7	103	
5050 3W 9V	BXEP-40E-233-09A-00-00-0	4000K	80	80	0.3x	119	8.3	0.7	180	-	105	8.0	0.6	163	DS61
				160	0.5x	231	8.7	1.4	165	-	206	8.5	1.4	152	
				240	0.8x	335	9.1	2.2	153	-	297	8.9	2.1	140	
				320	1x	430	9.3	3.0	144	3	374	9.0	2.9	129	
				480	1.5x	598	10.0	4.8	125	-	501	9.7	4.7	108	
5050 3W 9V	BXEP-45E-233-09A-00-00-0	4500K	80	80	0.3x	121	8.3	0.7	182	-	106	8.0	0.6	165	DS61
				160	0.5x	234	8.7	1.4	167	-	209	8.5	1.4	154	
				240	0.8x	338	9.1	2.2	155	-	300	8.9	2.1	141	
				320	1x	435	9.3	3.0	146	3	378	9.0	2.9	131	
				480	1.5x	605	10.0	4.8	127	-	507	9.7	4.7	109	
5050 3W 9V	BXEP-50E-233-09A-00-00-0	5000K	80	80	0.3x	121	8.3	0.7	182	-	106	8.0	0.6	165	DS61
				160	0.5x	234	8.7	1.4	167	-	209	8.5	1.4	154	
				240	0.8x	338	9.1	2.2	155	-	300	8.9	2.1	141	
				320	1x	435	9.3	3.0	146	3	378	9.0	2.9	131	
				480	1.5x	605	10.0	4.8	127	-	507	9.7	4.7	109	
5050 3W 9V	BXEP-57E-233-09A-00-00-0	5700K	80	80	0.3x	121	8.3	0.7	182	-	106	8.0	0.6	165	DS61
				160	0.5x	234	8.7	1.4	167	-	209	8.5	1.4	154	
				240	0.8x	338	9.1	2.2	155	-	300	8.9	2.1	141	
				320	1x	435	9.3	3.0	146	3	378	9.0	2.9	131	
				480	1.5x	605	10.0	4.8	127	-	507	9.7	4.7	109	
5050 3W 9V	BXEP-65E-233-09A-00-00-0	6500K	80	80	0.3x	120	8.3	0.7	181	-	105	8.0	0.6	164	DS61
				160	0.5x	232	8.7	1.4	166	-	207	8.5	1.4	153	
				240	0.8x	336	9.1	2.2	154	-	298	8.9	2.1	140	
				320	1x	432	9.3	3.0	145	3	376	9.0	2.9	130	
				480	1.5x	601	10.0	4.8	126	-	504	9.7	4.7	108	

Form Factor	Part Number	CCT (Nominal)	CRI (min)	Current (mA)	Rated Current	Typical Pulsed Flux T _c 25°C (lm)	V _f T _c 25°C (V)	Power T _c 25°C (W)	Typical Efficacy T _c 25°C (lm/W)	Thermal Resistance Junction to Case ¹ (C/W)	Typical DC Flux T _c 85°C (lm)	V _f T _c 85°C (V)	Power T _c 85°C (W)	Typical Efficacy T _c 85°C (lm/W)	Data Sheet
5050 3W 18V	BXEP-27E-163-18A-00-00-0	2700K	80	40	0.3x	108	16.3	0.7	165	-	95	15.8	0.6	150	DS62
				80	0.5x	209	17.2	1.4	152	-	187	16.7	1.3	140	
				120	0.8x	303	18.0	2.2	140	-	268	17.4	2.1	128	
				160	1x	389	18.6	3.0	131	3	338	18.1	2.9	117	
				240	1.5x	541	19.7	4.7	115	-	454	19.2	4.6	99	
5050 3W 18V	BXEP-30E-163-18A-00-00-0	3000K	80	40	0.3x	111	16.3	0.7	170	-	98	15.8	0.6	154	DS62
				80	0.5x	215	17.2	1.4	157	-	192	16.7	1.3	144	
				120	0.8x	312	18.0	2.2	145	-	277	17.4	2.1	132	
				160	1x	401	18.6	3.0	135	3	349	18.1	2.9	121	
				240	1.5x	558	19.7	4.7	118	-	468	19.2	4.6	102	
5050 3W 18V	BXEP-35E-163-18A-00-00-0	3500K	80	40	0.3x	114	16.3	0.7	175	-	100	15.8	0.6	159	DS62
				80	0.5x	221	17.2	1.4	161	-	198	16.7	1.3	148	
				120	0.8x	321	18.0	2.2	149	-	284	17.4	2.1	136	
				160	1x	412	18.6	3.0	138	3	358	18.1	2.9	124	
				240	1.5x	573	19.7	4.7	121	-	480	19.2	4.6	104	
5050 3W 18V	BXEP-40E-163-18A-00-00-0	4000K	80	40	0.3x	119	16.3	0.7	183	-	105	15.8	0.6	166	DS62
				80	0.5x	231	17.2	1.4	168	-	206	16.7	1.3	155	
				120	0.8x	335	18.0	2.2	155	-	297	17.4	2.1	142	
				160	1x	430	18.6	3.0	144	3	374	18.1	2.9	129	
				240	1.5x	598	19.7	4.7	127	-	501	19.2	4.6	109	
5050 3W 18V	BXEP-45E-163-18A-00-00-0	4500K	80	40	0.3x	121	16.3	0.7	185	-	106	15.8	0.6	168	DS62
				80	0.5x	234	17.2	1.4	170	-	209	16.7	1.3	156	
				120	0.8x	338	18.0	2.2	157	-	300	17.4	2.1	143	
				160	1x	435	18.6	3.0	146	3	378	18.1	2.9	131	
				240	1.5x	605	19.7	4.7	128	-	507	19.2	4.6	110	
5050 3W 18V	BXEP-50E-163-18A-00-00-0	5000K	80	40	0.3x	121	16.3	0.7	185	-	106	15.8	0.6	168	DS62
				80	0.5x	234	17.2	1.4	170	-	209	16.7	1.3	156	
				120	0.8x	338	18.0	2.2	157	-	300	17.4	2.1	143	
				160	1x	435	18.6	3.0	146	3	378	18.1	2.9	131	
				240	1.5x	605	19.7	4.7	128	-	507	19.2	4.6	110	
5050 3W 18V	BXEP-57E-163-18A-00-00-0	5700K	80	40	0.3x	121	16.3	0.7	185	-	106	15.8	0.6	168	DS62
				80	0.5x	234	17.2	1.4	170	-	209	16.7	1.3	156	
				120	0.8x	338	18.0	2.2	157	-	300	17.4	2.1	143	
				160	1x	435	18.6	3.0	146	3	378	18.1	2.9	131	
				240	1.5x	605	19.7	4.7	128	-	507	19.2	4.6	110	
5050 3W 18V	BXEP-65E-163-18A-00-00-0	6500K	80	40	0.3x	120	16.3	0.7	183	-	105	15.8	0.6	166	DS62
				80	0.5x	232	17.2	1.4	169	-	207	16.7	1.3	155	
				120	0.8x	336	18.0	2.2	156	-	298	17.4	2.1	142	
				160	1x	432	18.6	3.0	145	3	376	18.1	2.9	130	
				240	1.5x	601	19.7	4.7	127	-	504	19.2	4.6	110	

Form Factor	Part Number	CCT (Nominal)	CRI (min)	Current (mA)	Rated Current	Typical Pulsed Flux T _c 25°C (lm)	V _f T _c 25°C (V)	Power T _c 25°C (W)	Typical Efficacy T _c 25°C (lm/W)	Thermal Resistance Junction to Case ¹ (C/W)	Typical DC Flux T _c 85°C (lm)	V _f T _c 85°C (V)	Power T _c 85°C (W)	Typical Efficacy T _c 85°C (lm/W)	Data Sheet
5050 5W 9V	BXEP-27E-435-09A-00-00-0	2700K	80	125	0.3x	161	8.2	1.0	157	-	145	7.9	1.0	146	DS63
				250	0.5x	311	8.6	2.2	144	-	277	8.4	2.1	132	
				375	0.8x	451	9.0	3.4	134	-	396	8.7	3.3	121	
				500	1x	579	9.3	4.7	125	2	504	9.0	4.5	111	
				800	1.6x	846	10.1	8.1	105	-	698	9.8	7.9	89	
5050 5W 9V	BXEP-30E-435-09A-00-00-0	3000K	80	125	0.3x	167	8.2	1.0	163	-	150	7.9	1.0	151	DS63
				250	0.5x	323	8.6	2.2	150	-	287	8.4	2.1	137	
				375	0.8x	467	9.0	3.4	138	-	410	8.7	3.3	125	
				500	1x	600	9.3	4.7	129	2	522	9.0	4.5	116	
				800	1.6x	877	10.1	8.1	109	-	724	9.8	7.9	92	
5050 5W 9V	BXEP-35E-435-09A-00-00-0	3500K	80	125	0.3x	171	8.2	1.0	167	-	153	7.9	1.0	154	DS63
				250	0.5x	330	8.6	2.2	153	-	294	8.4	2.1	141	
				375	0.8x	478	9.0	3.4	142	-	419	8.7	3.3	128	
				500	1x	614	9.3	4.7	132	2	534	9.0	4.5	118	
				800	1.6x	897	10.1	8.1	111	-	741	9.8	7.9	94	
5050 5W 9V	BXEP-40E-435-09A-00-00-0	4000K	80	125	0.3x	174	8.2	1.0	170	-	156	7.9	1.0	157	DS63
				250	0.5x	337	8.6	2.2	156	-	299	8.4	2.1	143	
				375	0.8x	488	9.0	3.4	144	-	428	8.7	3.3	130	
				500	1x	626	9.3	4.7	135	2	545	9.0	4.5	121	
				800	1.6x	915	10.1	8.1	113	-	755	9.8	7.9	96	
5050 5W 9V	BXEP-45E-435-09A-00-00-0	4500K	80	125	0.3x	175	8.2	1.0	171	-	157	7.9	1.0	158	DS63
				250	0.5x	338	8.6	2.2	157	-	301	8.4	2.1	144	
				375	0.8x	490	9.0	3.4	145	-	430	8.7	3.3	131	
				500	1x	629	9.3	4.7	135	2	547	9.0	4.5	121	
				800	1.6x	919	10.1	8.1	114	-	759	9.8	7.9	97	
5050 5W 9V	BXEP-50E-435-09A-00-00-0	5000K	80	125	0.3x	175	8.2	1.0	171	-	157	7.9	1.0	158	DS63
				250	0.5x	338	8.6	2.2	157	-	301	8.4	2.1	144	
				375	0.8x	490	9.0	3.4	145	-	430	8.7	3.3	131	
				500	1x	629	9.3	4.7	135	2	547	9.0	4.5	121	
				800	1.6x	919	10.1	8.1	114	-	759	9.8	7.9	97	
5050 5W 9V	BXEP-57E-435-09A-00-00-0	5700K	80	125	0.3x	175	8.2	1.0	171	-	157	7.9	1.0	158	DS63
				250	0.5x	338	8.6	2.2	157	-	301	8.4	2.1	144	
				375	0.8x	490	9.0	3.4	145	-	430	8.7	3.3	131	
				500	1x	629	9.3	4.7	135	2	547	9.0	4.5	121	
				800	1.6x	919	10.1	8.1	114	-	759	9.8	7.9	97	
5050 5W 9V	BXEP-65E-435-09A-00-00-0	6500K	80	125	0.3x	174	8.2	1.0	169	-	156	7.9	1.0	157	DS63
				250	0.5x	336	8.6	2.2	156	-	298	8.4	2.1	143	
				375	0.8x	486	9.0	3.4	144	-	426	8.7	3.3	130	
				500	1x	624	9.3	4.7	134	2	543	9.0	4.5	120	
				800	1.6x	912	10.1	8.1	113	-	753	9.8	7.9	96	

Form Factor	Part Number	CCT (Nominal)	CRI (min)	Current (mA)	Rated Current	Typical Pulsed Flux T _c 25°C (lm)	V _f T _c 25°C (V)	Power T _c 25°C (W)	Typical Efficacy T _c 25°C (lm/W)	Thermal Resistance Junction to Case ¹ (C/W)	Typical DC Flux T _c 85°C (lm)	V _f T _c 85°C (V)	Power T _c 85°C (W)	Typical Efficacy T _c 85°C (lm/W)	Data Sheet
5050 5W 36V	BXEP-27E-1C5-36A-00-00-0	2700K	80	31.25	0.3x	161	32.8	1.0	157	-	145	31.8	1.0	146	DS64
				62.5	0.5x	311	34.5	2.2	145	-	277	33.4	2.1	133	
				93.75	0.8x	451	35.9	3.4	134	-	396	34.9	3.3	121	
				125	1x	579	37.2	4.7	125	2	504	36.1	4.5	111	
				200	1.6x	846	39.8	8.0	106	-	698	38.7	7.7	90	
5050 5W 36V	BXEP-30E-1C5-36A-00-00-0	3000K	80	31.25	0.3x	167	32.8	1.0	163	-	150	31.8	1.0	151	DS64
				62.5	0.5x	323	34.5	2.2	150	-	287	33.4	2.1	137	
				93.75	0.8x	467	35.9	3.4	139	-	410	34.9	3.3	125	
				125	1x	600	37.2	4.7	129	2	522	36.1	4.5	116	
				200	1.6x	877	39.8	8.0	110	-	724	38.7	7.7	93	
5050 5W 36V	BXEP-35E-1C5-36A-00-00-0	3500K	80	31.25	0.3x	171	32.8	1.0	167	-	153	31.8	1.0	154	DS64
				62.5	0.5x	330	34.5	2.2	153	-	294	33.4	2.1	141	
				93.75	0.8x	478	35.9	3.4	142	-	419	34.9	3.3	128	
				125	1x	614	37.2	4.7	132	2	534	36.1	4.5	118	
				200	1.6x	897	39.8	8.0	113	-	741	38.7	7.7	96	
5050 5W 36V	BXEP-40E-1C5-36A-00-00-0	4000K	80	31.25	0.3x	174	32.8	1.0	170	-	156	31.8	1.0	157	DS64
				62.5	0.5x	337	34.5	2.2	156	-	299	33.4	2.1	143	
				93.75	0.8x	488	35.9	3.4	145	-	428	34.9	3.3	131	
				125	1x	626	37.2	4.7	135	2	545	36.1	4.5	121	
				200	1.6x	915	39.8	8.0	115	-	755	38.7	7.7	98	
5050 5W 36V	BXEP-45E-1C5-36A-00-00-0	4500K	80	31.25	0.3x	175	32.8	1.0	171	-	157	31.8	1.0	158	DS64
				62.5	0.5x	338	34.5	2.2	157	-	301	33.4	2.1	144	
				93.75	0.8x	490	35.9	3.4	145	-	430	34.9	3.3	131	
				125	1x	629	37.2	4.7	135	2	547	36.1	4.5	121	
				200	1.6x	919	39.8	8.0	116	-	759	38.7	7.7	98	
5050 5W 36V	BXEP-50E-1C5-36A-00-00-0	5000K	80	31.25	0.3x	175	32.8	1.0	171	-	157	31.8	1.0	158	DS64
				62.5	0.5x	338	34.5	2.2	157	-	301	33.4	2.1	144	
				93.75	0.8x	490	35.9	3.4	145	-	430	34.9	3.3	131	
				125	1x	629	37.2	4.7	135	2	547	36.1	4.5	121	
				200	1.6x	919	39.8	8.0	116	-	759	38.7	7.7	98	
5050 5W 36V	BXEP-57E-1C5-36A-00-00-0	5700K	80	31.25	0.3x	175	32.8	1.0	171	-	157	31.8	1.0	158	DS64
				62.5	0.5x	338	34.5	2.2	157	-	301	33.4	2.1	144	
				93.75	0.8x	490	35.9	3.4	145	-	430	34.9	3.3	131	
				125	1x	629	37.2	4.7	135	2	547	36.1	4.5	121	
				200	1.6x	919	39.8	8.0	116	-	759	38.7	7.7	98	
5050 5W 36V	BXEP-65E-1C5-36A-00-00-0	6500K	80	31.25	0.3x	174	32.8	1.0	169	-	156	31.8	1.0	157	DS64
				62.5	0.5x	336	34.5	2.2	156	-	298	33.4	2.1	143	
				93.75	0.8x	486	35.9	3.4	144	-	426	34.9	3.3	130	
				125	1x	624	37.2	4.7	134	2	543	36.1	4.5	120	
				200	1.6x	912	39.8	8.0	115	-	753	38.7	7.7	97	