



GPS Receivers A1080-A

A description of Tyco Electronics'
GPS module A1080-A

User's Manual

Version 2.3
Hardware Revision 01



This page was intentionally left blank.

Revision History

Rev.	Date	Description
1.0	10-18-06	Initial Draft.
1.1	12-04-06	First released revision
1.2	12-08-06	Application note: Antenna current limiter
1.4	03-13-07	Some minor changes and updates
2.0	03-23-07	New design, adjustments
2.1	06-01-07	Correction solder pads size
2.2	07-03-07	Minor updates serial port configuration
2.3	06-07-07	Application note: reset pin
	mm-dd-yy	

Disclaimer

THIS DOCUMENT CONTAINS PROPRIETARY INFORMATION OF TYCO ELECTRONICS CORPORATION/POWER SYSTEMS (TYCO ELECTRONICS). IT MAY NOT BE COPIED OR TRANSMITTED BY ANY MEANS, PASSED TO OTHERS, OR STORED IN ANY RETRIEVAL SYSTEM OR MEDIA, WITHOUT PRIOR CONSENT OF TYCO ELECTRONICS OR ITS AUTHORIZED AGENTS.

THE INFORMATION IN THIS DOCUMENT IS, TO THE BEST OF OUR KNOWLEDGE, ENTIRELY CORRECT. HOWEVER, TYCO ELECTRONICS CAN NEITHER ACCEPT LIABILITY FOR ANY INACCURACIES, OR THE CONSEQUENCES THEREOF, NOR FOR ANY LIABILITY ARISING FROM THE USE OR APPLICATION OF ANY CIRCUIT, PRODUCT, OR EXAMPLE SHOWN IN THE DOCUMENT.

THE PRODUCT (HARD- AND SOFTWARE) DESCRIBED IN THIS DOCUMENTATION IS NOT AUTHORIZED FOR USE IN LIFE SUPPORT DEVICES OR SYSTEMS WITHOUT THE EXPRESS WRITTEN APPROVAL OF TYCO ELECTRONICS.

THIS DOCUMENT MAY PROVIDE LINKS TO OTHER WORLD WIDE WEB SITES OR RESOURCES. BECAUSE TYCO ELECTRONICS HAS NO CONTROL OVER SUCH SITES AND RESOURCES, TYCO ELECTRONICS SHALL NOT BE RESPONSIBLE FOR THE AVAILABILITY OF SUCH EXTERNAL SITES OR RESOURCES, AND DOES NOT ENDORSE AND IS NOT RESPONSIBLE OR LIABLE FOR ANY CONTENT, ADVERTISING, PRODUCTS, OR OTHER MATERIALS ON OR AVAILABLE FROM SUCH SITES OR RESOURCES. TYCO ELECTRONICS SHALL NOT BE RESPONSIBLE OR LIABLE, DIRECTLY OR INDIRECTLY, FOR ANY DAMAGE OR LOSS CAUSED OR ALLEGED TO BE CAUSED BY OR IN CONNECTION WITH USE OF OR RELIANCE ON ANY SUCH CONTENT, GOODS OR SERVICES AVAILABLE ON OR THROUGH ANY SUCH SITE OR RESOURCE.

TYCO ELECTRONICS RESERVES THE RIGHT TO CHANGE, MODIFY, OR IMPROVE THIS DOCUMENT OR THE PRODUCT DESCRIBED HEREIN, AS SEEN FIT BY TYCO ELECTRONICS WITHOUT FURTHER NOTICE.

Table of Contents

1 Introduction	7
1.1 Label	7
1.2 Characteristics	8
1.2.1 GPS Characteristics	8
1.2.2 Mechanical Characteristics.....	8
1.3 Handling Precautions	8
2 Ordering Information	9
2.1 GPS Receiver A1080-A	9
2.2 Packing	9
2.2.1 Packaging of the A1080-A.....	9
2.3 Additional Equipment	10
3 Quick Start	11
3.1 Minimum Configuration	11
3.2 Antenna.....	12
3.3 Serial Port Settings	12
3.4 Improved TTF	12
4 Mechanical Outline	13
4.1 Details Component Side A1080-A.....	13
4.2 Details Solder Side A1080-A.....	14
5 Pin-out Information	15
5.1 Layout A1080-A	15
5.2 Description A1080-A Signals	15
5.3 General Comments	16
6 Electrical Characteristics	17
6.1 Operating Conditions	17
6.2 Absolute maximum ratings.....	17
7 Mounting	18
7.1 Proposed Footprint for Soldering	18
7.2 Recommended Profile for Reflow Soldering	18
8 Use of Antenna	19
8.1 Connection of RF Signal	19
8.2 Active Antenna	20
9 Quality and Reliability	21
9.1 Environmental Conditions	21
9.2 Product Qualification	21
9.3 Production Test.....	21
10 Applications and Hints	22
10.1 Minimum Configuration	22
10.2 Antenna Status Adaptation	22

10.2.1 Antennas with Different Current Draw	22
10.2.2 Antennas with Different Current Draw incl. Current Limiter	23
10.3 VANT Pin (antenna voltage input pin)	24
10.4 1PPS pin (1 pulse per second pin).....	25
10.5 Reset Signal.....	25
10.5.1 Reset Sources	25
10.6 Battery Back-up.....	27
11 Demonstration Kits	28
11.1 Evaluation Kit A1080-A	28
12 Related Information	29
12.1 Contact.....	29
12.2 Related Documents.....	29
13 List of Tables	31
14 List of Figures	31

1 Introduction

Tyco Electronics' GPS module A1080-A is a highly integrated GPS receiver module that can be used as an SMT component. It is capable to receive signals from up to 20 GPS satellites and transferring them into position and timing information that can be read over a serial port. This new generation of GPS module combines small size and high-end GPS functionality at low power consumption:

- Operable at 3.3V / 36mA (typ.) @ 1fix per second
- Small form factor of 19 x 16.2 mm (0.75" x 0.64")
- Cost-effective antenna input
- Single-sided SMD component, for reflow soldering
- Tape & reel packaging

The A1080-A GPS receivers are available as off-the-shelf component, 100% tested and shipped in standard tape-and-reel package.

1.1 Label

The A1080-A label holds the following information:



Hardware
rr: Hardware Ausgabe / Hardware Release

Software
tt: Software Release
sss: Software Version

Datecode and Location
BZ: Munich / YK: Bicske
ww: Woche / week
yy: Jahr / Year

Figure 1: A1080-A label

1.2 Characteristics

The modules are characterized by the following parameters.

1.2.1 GPS Characteristics

Channels		20, parallel tracking
Correlators		200.000 plus
Frequency		L1 (= 1575 MHz)
Tracking Sensitivity		-159dBm
Position Accuracy	Stand alone	< 10m CEP (SA off)
Horizontal Position Accuracy	Stand alone	< 2,5m CEP (SA off)
Time To First Fix – TTFF (theoretical minimum values; values in real world may differ)	Obscuration recovery ⁽¹⁾	0.1s
	Hot start ⁽²⁾	< 1s
	Warm ⁽³⁾	< 32s
	Cold ⁽⁴⁾	< 35s

Table 1: A1080 GPS characteristics

- (1) The calibrated clock of the receiver has not stopped, thus it knows precise time (to the μ s level).
- (2) The receiver has estimates of time/date/position and valid almanac and ephemeris data.
- (3) The receiver has estimates of time/date/position and recent almanac.
- (4) The receiver has no estimate of time/date/position, and no recent almanac.

1.2.2 Mechanical Characteristics

A1080-A Mechanical dimensions	Length	19mm, 0.75"
	Width	16.2mm, 0.64"
	Height	2.4mm, 0.095"
A1080-A Weight		1g, < 0.05oz

Table 2: A1080-A dimensions and weight

1.3 Handling Precautions

The GPS receiver module A1080-A is sensitive to electrostatic discharge (ESD). Please handle with appropriate care.

2 Ordering Information

2.1 GPS Receiver A1080-A

The order number is built as follows:

- **V23993A1080A**

V23993 stands for Tyco Electronics wireless and communication products, A1080A for the A1080-A module.

2.2 Packing

2.2.1 Packaging of the A1080-A

The A1080-A GPS module comes in a tape and reel package suitable for pick and place machines.

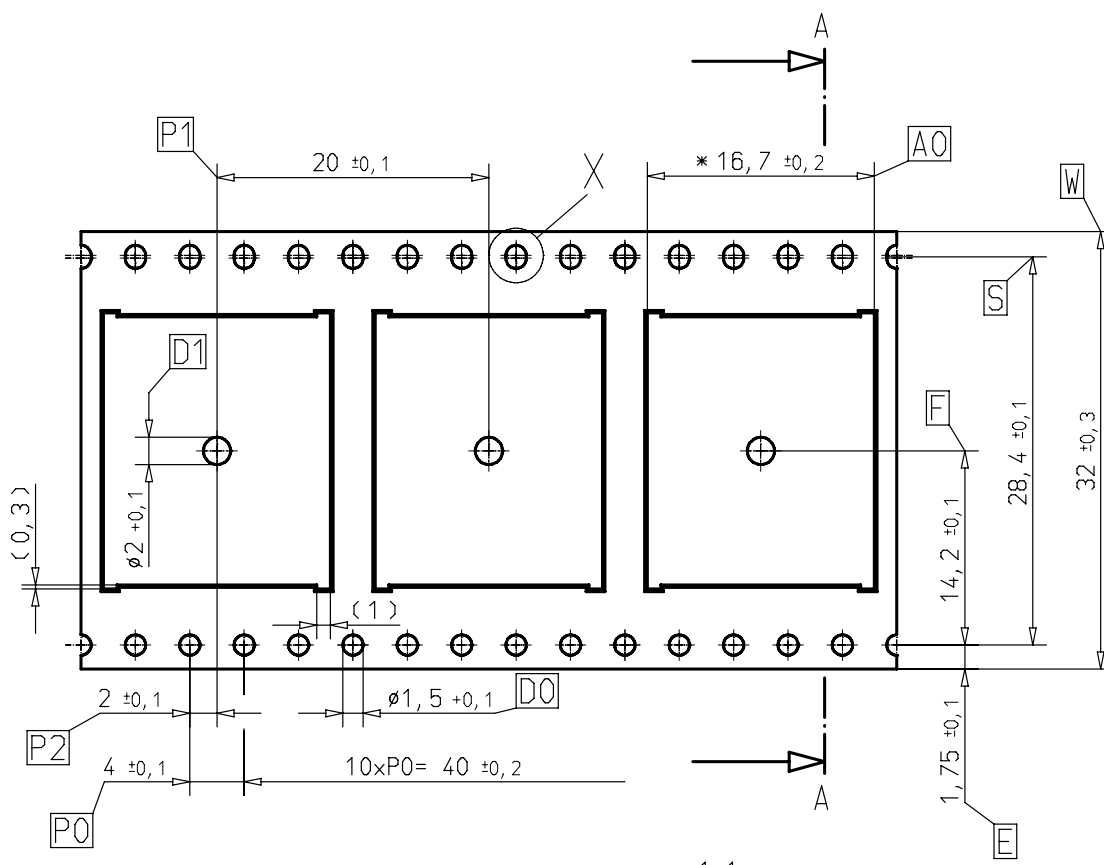


Figure 2: A1080-A tape specifications (1)

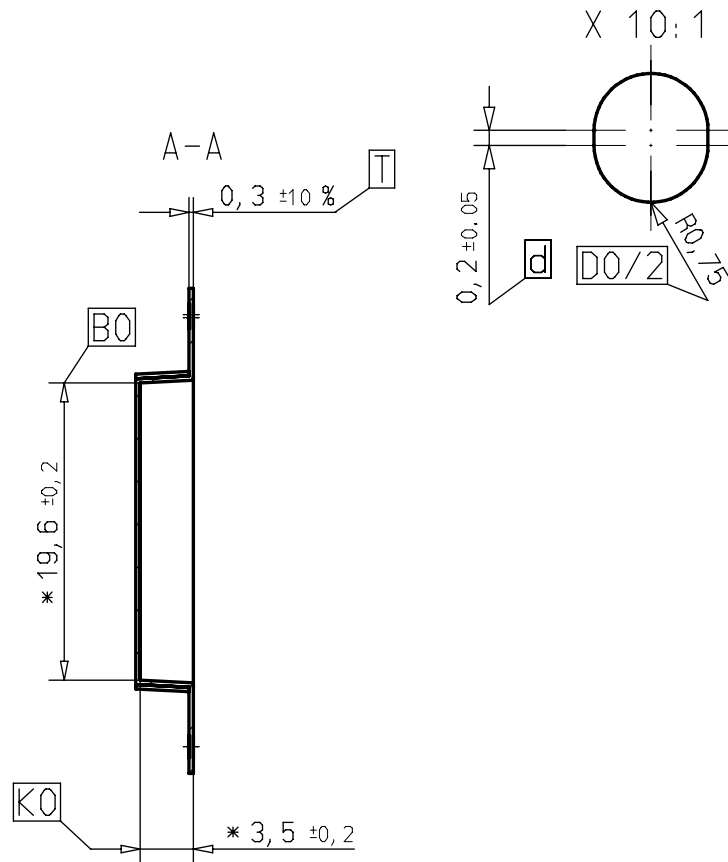


Figure 3: A1080-A tape specifications (2)

2.3 Additional Equipment

V23993EVA1080A	Evaluation Kit (including one module V23993A1080A)
----------------	--

Table 3: Additional equipment

A detailed description of the additional kit can be found in the according manuals.

3 Quick Start

In order to allow an easy and quick start with the modules A1080-A, this chapter provides a short overview on the most important steps to receive NMEA messages with position information on a serial port.

3.1 Minimum Configuration

The following picture shows a recommended minimum configuration for NMEA output and commands sent and received via an RS232 interface based on the GPS module A1080-A.

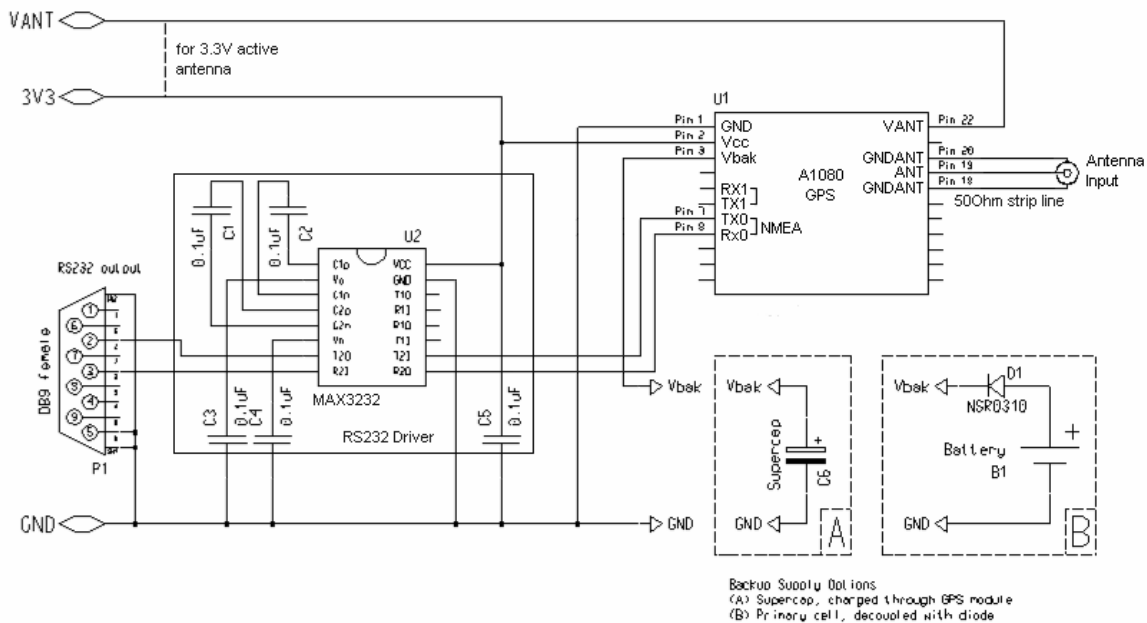


Figure 4: Recommended minimum configuration A1080-A

Remarks:

- Place C1 to C5 (here: 0.1µF) close to MAX3232. For capacity values see datasheet of actual component used.
- Use 3.3V level shifter (MAX3232 or equivalent).
- Use separate ground plane for antenna ground.
- Antenna input impedance is 50Ohm. Match as close as possible.
- Maximum allowed antenna current is 50mA. Consider a current limiter.
- A battery back-up circuit for the RTC (Real Time Clock) should be considered (see 10.6)

Battery Back-up)!

NOTE: Please make sure that the A1080-A is either within an enclosure or additionally shielded to reduce the influence of temperature fluctuations often generated by airflow.

3.2 Antenna

It is recommended to use an active GPS antenna with supply voltage of 3 to 5VDC and a current draw of 50mA maximum. The quality of the GPS antenna chosen is of paramount importance for the overall sensitivity of the GPS system. An active antenna should have a gain $\geq 20\text{dB}$ and a noise figure $\leq 1.5\text{dB}$, which applies to more than 95% of the active antennas available in the market.

3.3 Serial Port Settings

The default configuration within the standard GPS firmware is:

- Serial 0 (NMEA) 4800 baud, 8 data bits, no parity, 1 stop bit, no flow control

3.4 Improved TTFF

In order to improve the TTFF (Time To First Fix), it is recommended to support the RTC with a back-up power when no system power is available.

If the system or the GPS receiver alone should not be backed-up it is possible to support the restart procedure by providing position and date/time information to the module. This is described in the firmware manual. Please refer there to chapter "Start-up Support" in the document T.E. GPS Firmware A1080.

4 Mechanical Outline

4.1 Details Component Side A1080-A

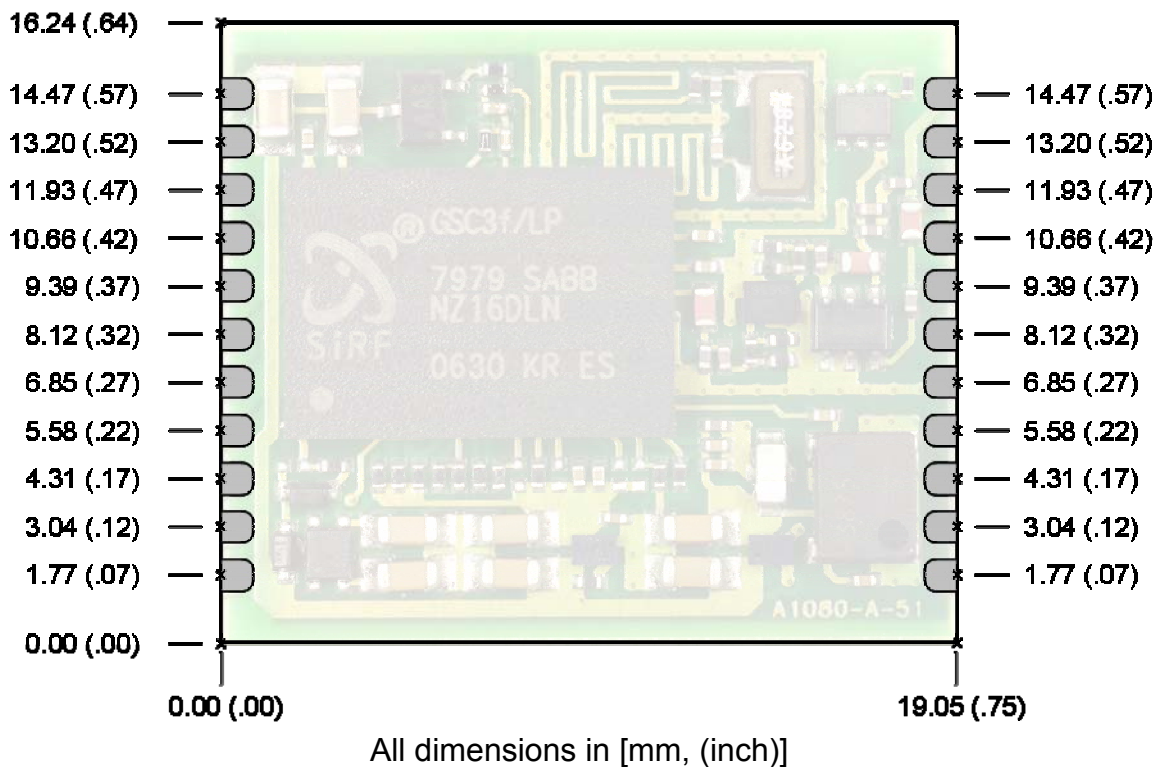
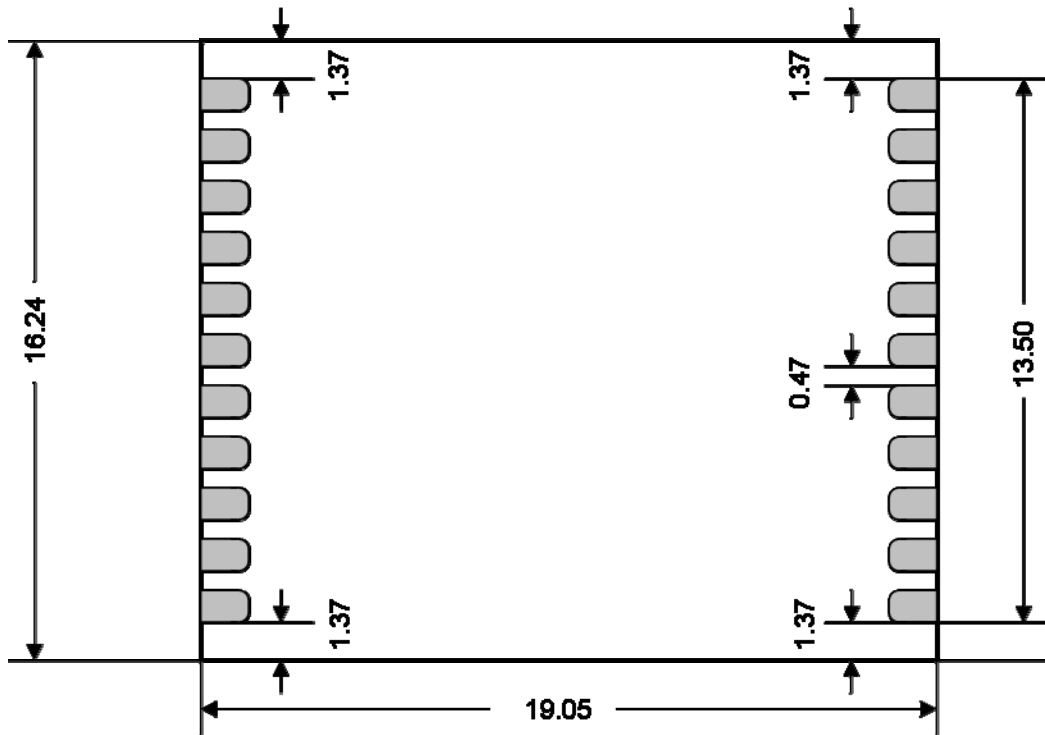


Figure 5: Mechanical outline component side A1080-A

4.2 Details Solder Side A1080-A



Solder pad size: 1.0 x 0.8
All dimensions in [mm]

Figure 6: Mechanical outline solder side A1080-A

5 Pin-out Information

5.1 Layout A1080-A

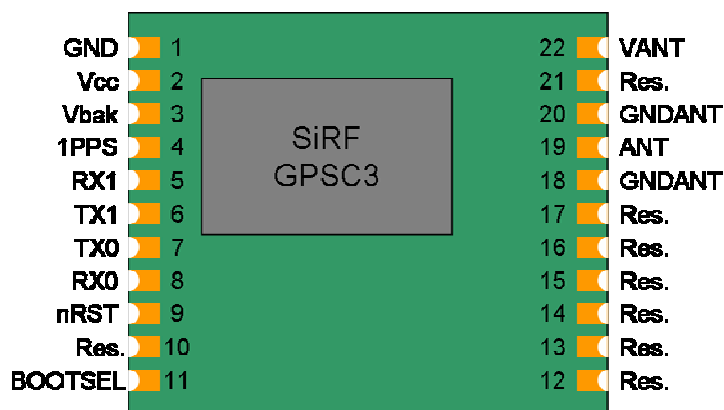


Figure 7: Pin-out information A1080-A

5.2 Description A1080-A Signals

Pin	Symbol	Description
1	GND	Ground (power supply)
2	Vcc	3.0 – 3.6 VDC (power supply)
3	Vbak	Back-up pin of module for “supercap” or battery (see below)
4	1PPS	1PPS (pulse per second) output
5	RX1	Serial input 1 – reserved for binary in (leave open)
6	TX1	Serial output 1 – reserved for binary out (leave open)
7	TX0	Serial output 0, NMEA out
8	RX0	Serial input 0, NMEA in
9	nRST	Reset input
10	Res.	Reserved – leave open
11	BOOTSEL	Special boot mode – leave open for normal operation
12	Res.	Reserved – leave open
13	Res.	Reserved – leave open
14	Res.	Reserved – leave open
15	Res.	Reserved – leave open
16	Res.	Reserved – leave open
17	Res.	Reserved – leave open
18	GNDANT	Antenna Ground, do not connect to GROUND, connect to antenna shield (see below)
19	ANT	Antenna signal / Z=50 Ohm
20	GNDANT	Antenna Ground, see above
21	Res.	Reserved – leave open
22	VANT	Power supply antenna – provide according voltage

Table 4: Pin description A1080-A

5.3 General Comments

The following comments should be considered for a design with and use of the module:

- Standard configuration of serial port (standard GPS software):
Serial 0 (NMEA) 4800 baud, 8 data bits, no parity, 1 stop bit, no flow control
- Antenna (Antenna connected to Antenna Pin)
Use ground pins (pin 18, pin 20) close to the antenna input for RF ground.

6 Electrical Characteristics

6.1 Operating Conditions

Pin	Description	Min	Typical	Max
3	V_{bak}	1.8V		3.6V
	Standby Current ⁽⁴⁾		20 μ A	
2	V_{cc}	3.0V	3.3V	3.6V
	Peak Acquisition Current ⁽¹⁾		52mA	
	Average Acquisition Current ⁽²⁾		36mA	
	Tracking Current ⁽³⁾		31mA	

Table 5: A1080 electrical characteristics

- (1) Peak acquisition current is characterized by millisecond bursts above average acquisition current
- (2) Average current is typically only the first two seconds of TTFF
- (3) Tracking current typically includes tracking and the post acquisition portion of TTFF
- (4) During standby state: RTC block and core powered on and clock off.

6.2 Absolute maximum ratings

Symbol	Parameter	Min	Max	Unit
V_{cc}	power supply	-0.3	+3.6	V
V_{in}	voltage to any pin	-0.3	+3.6	V
I_{ov}	input current on any pin	-10	10	mA
I_{tdv}	absolute sum of all input currents during overload condition		200	mA
T_{st}	storage temperature	-55	125	$^{\circ}$ C
V_{ant}	antenna supply voltage	0	5.5	V
I_{ant}	antenna supply current	0	50	mA

Table 6: Absolute maximum ratings

Stresses beyond those listed under “Absolute Maximum Ratings” may cause permanent damage to the device. This is a stress rating only. Functional operation of the device at these or any other conditions beyond those indicated in the operational sections of this specification is not implied. Exposure to absolute maximum rating conditions for extended periods may affect device reliability.

7 Mounting

This chapter covers the mounting of the A1080-A.

7.1 Proposed Footprint for Soldering

The following proposal of a footprint for soldering is assuming a stencil thickness of 150µm. ✕ marks the center of the through holes.

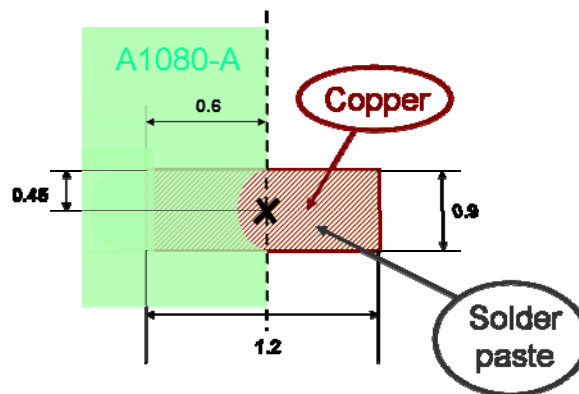


Figure 8: Soldering footprint proposal A1080-A

Please note that copper and solder paste footprint are identical. The final footprint has to be evaluated and qualified by the manufacturer according to the specific processes.

7.2 Recommended Profile for Reflow Soldering

Typical values for reflow soldering of the module in convection or IR/convection ovens are as follows:

Peak temperature (RoHS compliant process)	245°C
Average ramp up rate to Peak (183°C to Peak)	3°C / second max.
Preheat temperature 125 (±25°C)	120 seconds max.
Temperature maintained above 183°C	60 ... 150 seconds
Time within 5°C of actual peak temperature	10 ... 20 seconds
Ramp Down rate	6°C / second max.
Time 25°C to peak temperature	6 minutes max.

Table 7: Reflow soldering profile A1080-A

As results of soldering may vary among different soldering systems and types of solder and depend on additional factors like density and types of components on board, the values above should be considered as a starting point for further optimization.

8 Use of Antenna

8.1 Connection of RF Signal

The ANT pin is used to connect the receiver with the GPS antenna. The design of the antenna connection has to be done strictly according to RF design rules. A 50Ω PCB strip line is required. The following drawings shall explain the guidelines. A major rule is to keep the strip line as short as possible. Additionally, antenna ground (GNDANT) should be routed to the ground plane of the PCB (the ground plane is on a lower PCB layer) by via as demonstrated in the drawing.

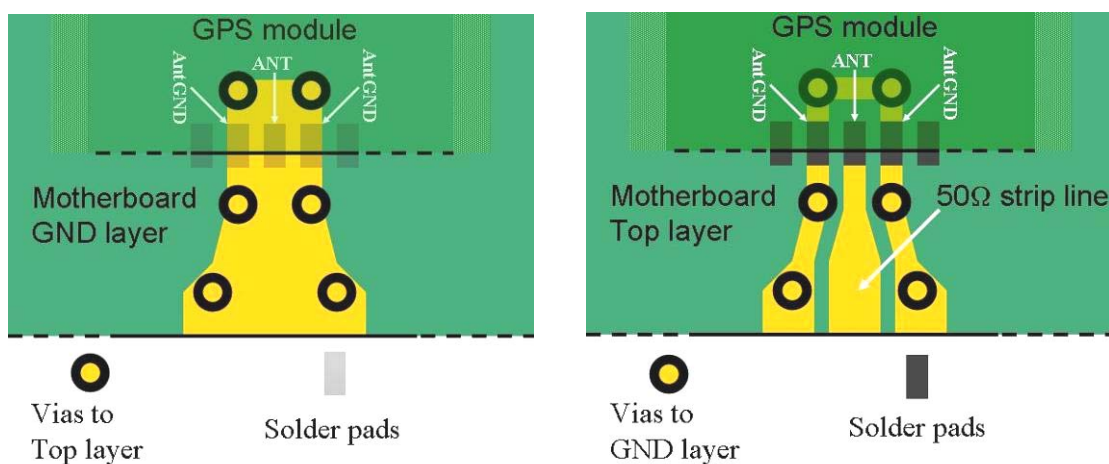


Figure 9: Antenna connector strip line A1080-A

In order to gain the impedance of 50Ω, the width of the strip line needs to be calculated. It depends on the thickness or height of the PCB layer (both parameters are shown in following drawing). For the calculation, it is assumed that the PCB material is FR4.

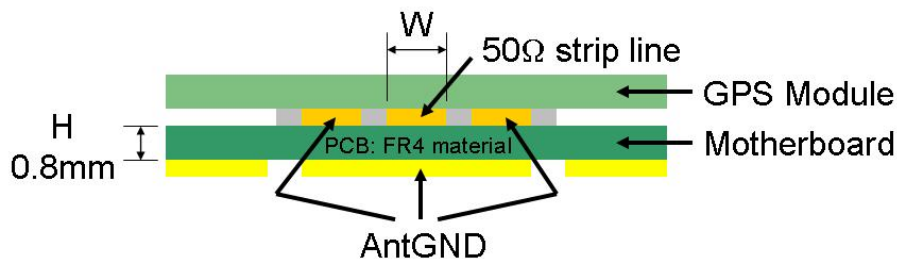


Figure 10: Strip line parameters A1080-A

In this case, the width should be about 1.8 times the height of the PCB:

$$W = 1.8 \times H$$

In the example, one would get a width of $W = 1.8 \times 0.8\text{mm} = 1.44\text{mm}$.

8.2 Active Antenna

General GPS active antenna specification:

Limitations:

- Supply voltage according to voltage fed into VANT pin (5V max.)
- Supply current 50mA (max.)

Recommendations:

- Gain $\geq 20\text{dB}$ (should not exceed 35dB)
- Noise figure $\leq 1.5\text{dB}$

The recommendations apply to the majority of active antennas that can be found in the market. Anyhow, the quality of the GPS antenna chosen is of paramount importance for the overall sensitivity of the GPS system.

The system design needs to reflect the supply voltage of the antenna. If the supply voltage is equal to V_{cc} , V_{cc} can be connected to VANT. If the antenna requires a different supply voltage, the antenna bias can be provided through the VANT pin.

9 Quality and Reliability

9.1 Environmental Conditions

Operating temperature	-30 ... +85°C
Operating humidity	Max. 85% r. H., non-condensing, at 85°C
MSL JEDEC (Moisture Sensitivity Level)	3
Storage	6 months in original package.

Table 8: Environmental conditions

9.2 Product Qualification

Prior to product qualification the GPS receiver is preconditioned according to EIA/JEDEC standard JESD22-A113-B / Level 3.

Basic qualification tests:

- MSL Classification according to J-STD-020C (MSL3 @ 245°C)
- MSL Rework Compatibility according to J-STD-020C
- Temperature Cycling –30°C ... +85°C
- Temperature Humidity Bias 70°C / 85% RH
- High / Low Temperature Operating –30° / +85°C
- High Temperature Operating Life +85°C
- Vibration Variable Frequency
- Mechanical Shock

Please contact Tyco Electronics for detailed information.

9.3 Production Test

Each module is electrically tested prior to packing and shipping to ensure state of the art GPS receiver performance and accuracy.

10 Applications and Hints

10.1 Minimum Configuration

Please refer to chapter 3.1 Minimum Configuration for details. In addition, for optimized start-up behavior it is strongly recommended to add a battery back-up circuit (see chapter 3.4)!

10.2 Antenna Status Adaptation

This chapter shall give assistance in designing a circuit for detecting if an antenna is connected to the module. The information about the antenna status can be derived from the ANTSTAT signal generated by this circuit. The examples use values for components that roughly result in the following ANTSTAT output:

- Logic low when: $I_{ant} < 9\text{mA}$
- Logic high when: $9\text{mA} > I_{ant} < 16\text{mA}$
- Logic low when: $I_{ant} > 16\text{mA}$

10.2.1 Antennas with Different Current Draw

The following circuit is a proposal on how you can feed an antenna with 3.3V and provide an output for the ANTSTAT pin. The value of the components may need an adaptation in the final application. For example, the input current of the chosen comparator goes into that equation. The thresholds defined in this circuit are quite close to the ones described above. Their value is determined by resistors R4, R5, and R3.

We strongly recommend simulating and testing your realized version before using it. In any case, it is the responsibility of the designer to test and verify the implementation.

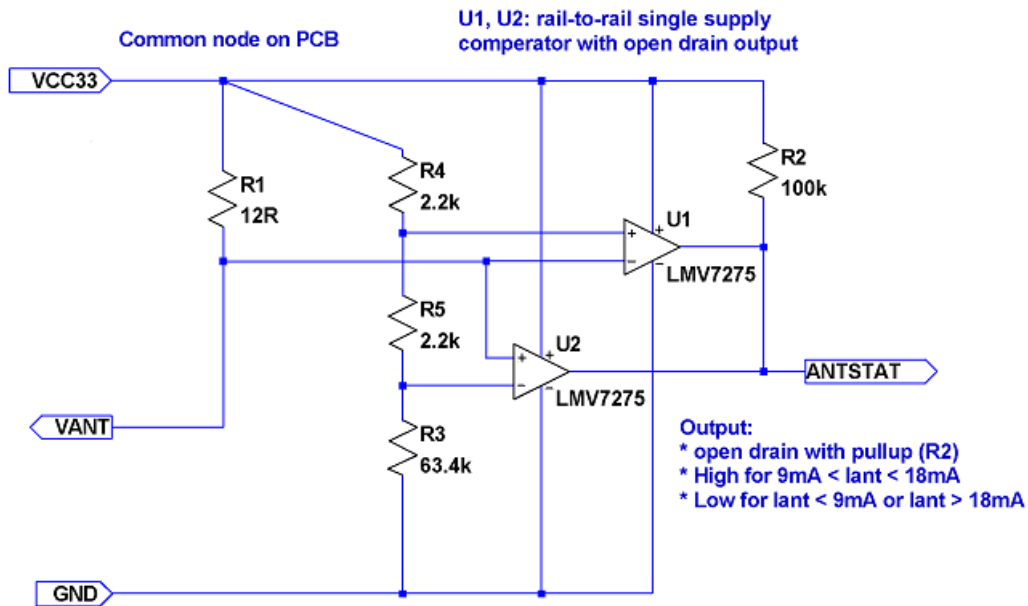


Figure 11: Application note: Antenna sensor adaptation

10.2.2 Antennas with Different Current Draw incl. Current Limiter

This proposal is similar to the first one, but includes a current limiter. Comments and notes as above apply.

We strongly recommend simulating and testing your realized version before use. In any case it is the responsibility of the designer to test and verify the implementation.

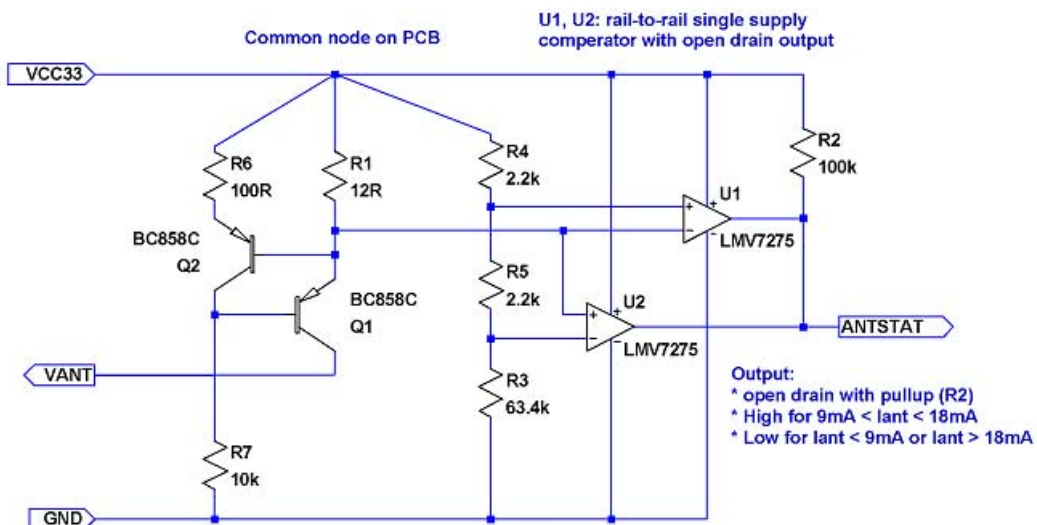


Figure 12: Application note: Antenna sensor adaptation with current limiter

10.3 VANT Pin (antenna voltage input pin)

The VANT pin is an input pin.

The supply voltage for an active GPS antenna has to be fed into the Vant pin. The easiest way to do that is to connect Vcc to VANT. The maximum current is 50mA.

Note: Shortcut between ANT and GND may damage the A1080-A GPS receiver module. This should be avoided by using an antenna current limiter.

Please find proposal for simple current limiter below. If other transistors are used, other resistor values may be necessary as well. We strongly recommend simulating and testing your realized version before using it.

The little schematics below work for Vcc from 3V to 5V. The antenna current will be limited to around 50mA.

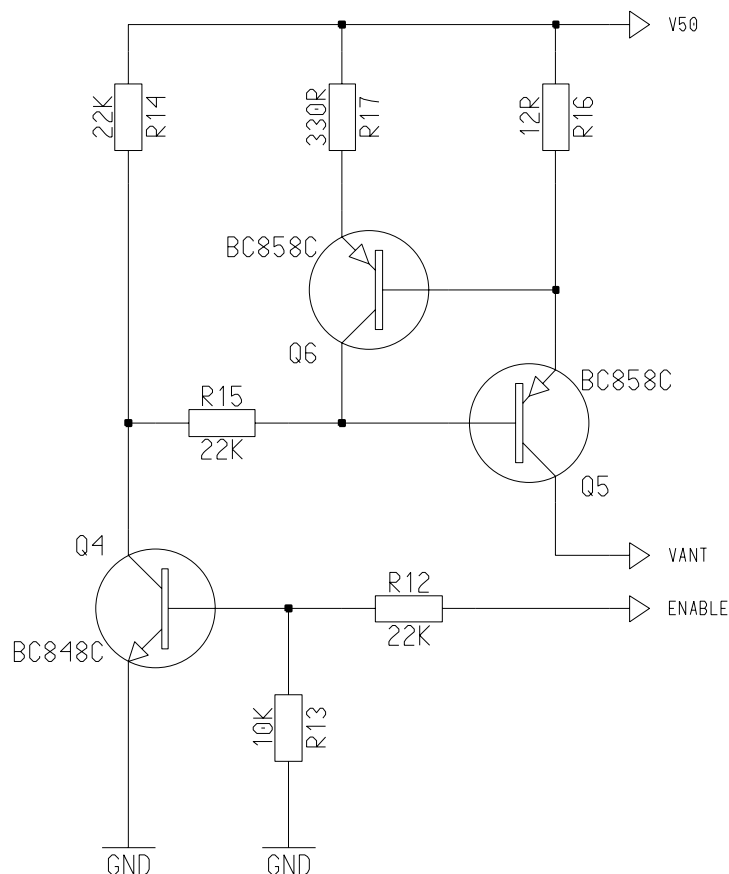


Figure 13: Application note: Antenna current limiter

10.4 1PPS pin (1 pulse per second pin)

The 1PPS pin is an output pin.

In addition to precise positioning, GPS also allows for accurate timing due to the synchronized atomic clocks in the GPS satellites. While the current date and time is transmitted in NMEA sentences, an exact and accurate timing signal is provided via the 1PPS pin of the A1080 modules.

10.5 Reset Signal

The nRST pin is an input pin.

The nRST pin can be used to generate a reset on the A1080-A module. Resetting the module will result in a restart of the complete firmware. All information stored in SRAM will still be valid.

10.5.1 Reset Sources

10.5.1.1 Internal reset circuit

The A1080 is already equipped with a voltage monitoring device that generates a proper power-on reset at the appropriate threshold and delay. Additionally it takes care about the brown-out protection. Usually there is no need to deal with the reset input externally, thus the general advice is to leave this pin open.

10.5.1.2 External reset circuit

If – for some reasons – an external reset input is really desired, the use is subject to following restrictions:

- (1) Never ever connect a capacitor of any size to the nRESET pin.
- (2) Never ever pull the nRESET pin actively high.
- (3) Only use an open drain/collector device (e.g. a bipolar NPN transistor to ground, see Fig. 1) to pull the nRESET pin low in order to issue a reset.
- (4) Make sure that the nRESET pulse is absolutely glitch free with sharp edges and lasts at least 100ms.

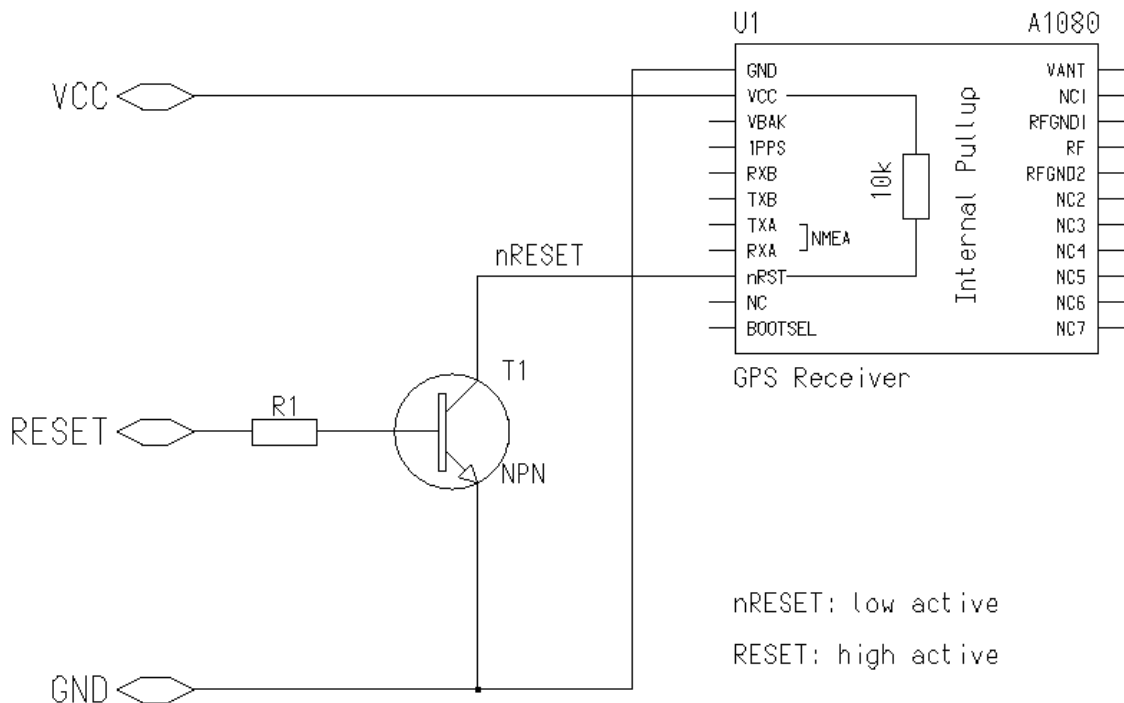
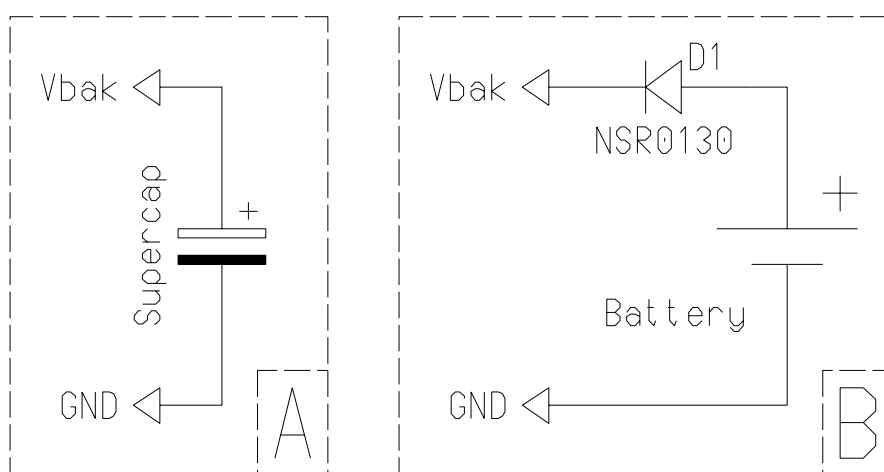


Figure 14: Application note: External reset circuit

10.6 Battery Back-up

This application note describes on how to back-up the RTC and the SRAM of the GPS receiver module. The basic of the first examples is to provide a back-up by a separate battery or a “supercap”.

While the “supercap” is charged thru the module during normal operation, the battery (primary cell) is decoupled thru a diode!



Backup Supply Options

(A) Supercap, charged through GPS module

(B) Primary cell, decoupled with diode

Figure 15: Application note: Module back-up

An alternative to this solution is to switch the supply voltage from the Vcc pin to the Vbak pin. Care needs to be taken that there is no voltage outage during the switch-over phase!

11 Demonstration Kits

11.1 Evaluation Kit A1080-A

For demonstration and easy evaluation of GPS performance Tyco Electronics offers a Demonstration Kit (including one GPS A1080-A module). It contains a USB interface with according drivers to connect easily to a PC. The USB interface is an extension of the serial port 0, therefore sending NMEA sentences and accepting commands. At the same time it provides power to the module. Accompanied by an antenna it offers a ready-to-go set.

For the development of new software and applications the Evaluation Kit also provides NMEA messages on C-MOS level via a terminal plug.

For further information please contact Tyco Electronics.

12 Related Information

12.1 Contact

This manual was created with due diligence. We hope that it will be helpful to the user to get the most out of the GPS module.

Anyway, inputs about errors or mistakable verbalizations and comments or proposals to TYCO Electronics, Power Systems in Munich, Germany, for further improvements are highly appreciated.

Hans Wiedemann
Product Marketing Manager
Positioning Products
Tel.: +49 89 6089 838
Fax: +49 89 6089 835

Tyco Electronics Corporation
Power Systems
Finsinger Feld 1
85521 Ottobrunn, Germany

Email to gps@tycoelectronics.com.

Please visit our website at www.tycoelectronics.com/gps.

12.2 Related Documents

- Manual: T.E. GPS Firmware A1080-A (TYCO)
- Manual: T.E. GPS EvaluationKit EVA1080-A (TYCO)
- Application note: GPS AN A1080-A – EDLC as Backup Supply V1.0
- Application note: GPS AN A1080-A – Backup V1.0

This page was intentionally left blank.

13 List of Tables

Table 1: A1080 GPS characteristics	8
Table 2: A1080-A dimensions and weight.....	8
Table 3: Additional equipment.....	10
Table 4: Pin description A1080-A.....	15
Table 5: A1080 electrical characteristics.....	17
Table 6: Absolute maximum ratings.....	17
Table 7: Reflow soldering profile A1080-A	18
Table 8: Environmental conditions	21

14 List of Figures

Figure 1: A1080-A label	7
Figure 2: A1080-A tape specifications (1)	9
Figure 3: A1080-A tape specifications (2)	10
Figure 4: Recommended minimum configuration A1080-A.....	11
Figure 5: Mechanical outline component side A1080-A	13
Figure 6: Mechanical outline solder side A1080-A	14
Figure 7: Pin-out information A1080-A.....	15
Figure 8: Soldering footprint proposal A1080-A	18
Figure 9: Antenna connector strip line A1080-A.....	19
Figure 10: Strip line parameters A1080-A.....	19
Figure 11: Application note: Antenna sensor adaptation.....	23
Figure 12: Application note: Antenna sensor adaptation with current limiter.....	23
Figure 13: Application note: Antenna current limiter	24
Figure 14: Application note: External reset circuit.....	26
Figure 15: Application note: Module back-up.....	27